

PowerBoss®
The Power of Clean



Parts Catalog

Armadillo 10X Series

Models: Gasoline, LP & Diesel

PowerBoss®, Minuteman International, Inc.
A Member of the Hako Group

4100046 Rev. M 01/26
Effective Serial No. 25PB1535

PREFACE

Thank you for your purchase of the industry standard for industrial equipment. PowerBoss takes great pride in offering the most dependable, reliable and best value in industrial equipment; we set the standard.

Our publishing department would like to hear from you. If you see any errors, omissions or something that needs clarification in this spare parts catalog please let us know. We are working hard toward perfection in our corner of the process to bring you the best you can buy. Please copy the form below, fill out and comment on how you found our catalog.

Thank you.

Name _____

Title: _____

Company Name: _____

Address: _____

Country: _____

Type of equipment or model number: _____

Comments:

Please return to:

Customer Service Manager
PowerBoss®, Minuteman International, Inc.
14N845 U.S. Route 20
Pingree Grove, Illinois 60140 USA

Phone: 800-323-9420

Email: tech@powerboss.com

This is the spare parts catalog for the PowerBoss Armadillo 10X Sweeper.

This catalog covers all standard Armadillo 10X machine variations beginning January 2013.

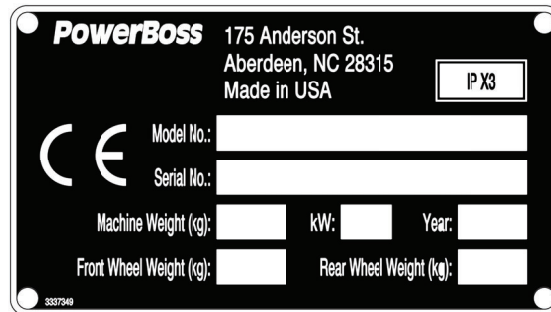
We believe this machine will provide excellent service for many years, however, the best results will be obtained if:

- The machine is operated with reasonable care.
- The machine is maintained regularly per the maintenance schedule provided in the user manual.
- The machine is maintained with PowerBoss Inc. supplied or equivalent parts.

All right side and left side references to the machine (except for engine) are determined by facing the direction of forward travel. The front of the engine or engine fan faces the rear of the machine. Some hardware considered to be common or locally available has been omitted from the parts section to make this manual clear. Be sure to use equivalent hardware when replacement becomes necessary.

The model and serial number of your machine is shown on the I.D. name plate. This information is needed when contacting technical support or when ordering parts. The I.D. plate is mounted on the console of the machine to the left of the operator, adjacent to the main broom adjustment access door.

Example I.D Plate:



Parts may be ordered by phone, fax or e-mail from any PowerBoss parts and service center. Before ordering parts or supplies, be sure to have your machine model number and serial number handy. For your convenience fill out the data block below for future reference.

MACHINE DATA Fill Out at Installation	
Serial Number:	_____
Engine Serial Number:	_____
Sales Rep.:	_____
Date of Install:	_____

All information contained in this catalog is current at the time of printing, however, PowerBoss reserves the right to make changes at any time without notice.

© PowerBoss Inc., 2012, Printed in USA.

TECHNICAL SPECIFICATIONS

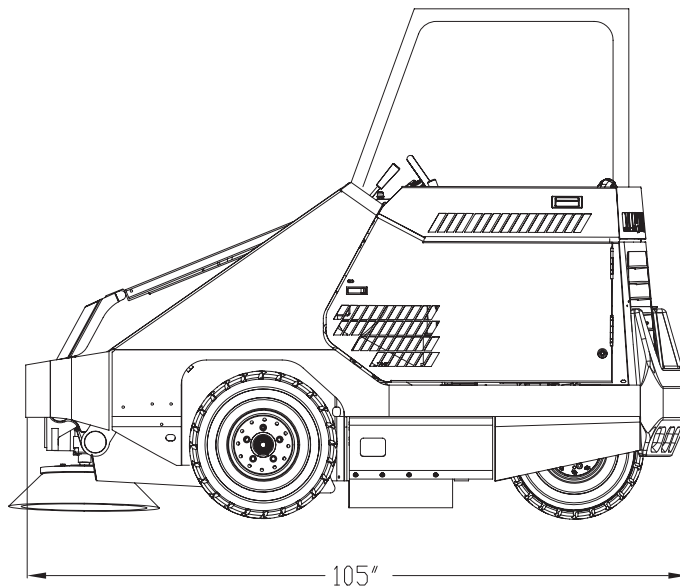
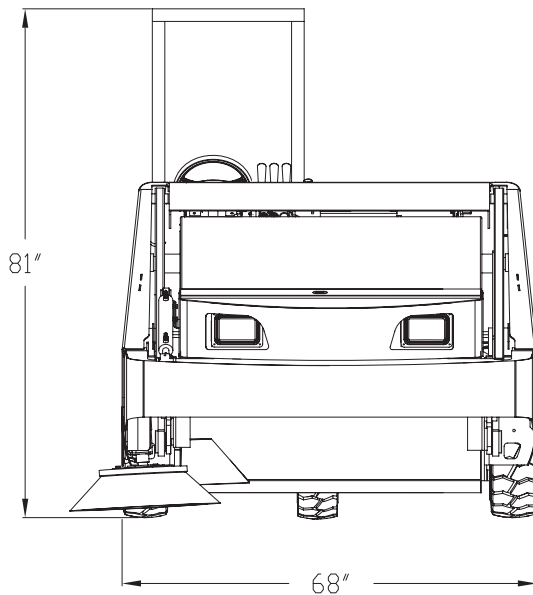
Model Armadillo 10X
 Model No. 10XT3DSL / 10XT3LP / 10XT3GAS
 10XT3DSL-US

DIMENSIONS & WEIGHT

Length105 inch (266.7 cm)
 Width68 inch (172.7 cm)
 Height55.38 inch (140.7 cm)
 W/ overhead guard81 inch (205.7 cm)
 W/ cab81 inch (205.7 cm)
 Weight4,575 lbs. (2,075 kg)
 Minimum U-turn115 inch (292 cm)

SWEEPING SYSTEM

Productivity217,800 ft²/hr (20,234 m²/hr)
 Sweep path.....74 inch (187.9 cm)
 Main broom.....56 inch (142 cm)
 Side broom.....26 inch (66 cm)
 Left side broom (optional) 86 inch (218.4 cm)
 Hopper typeRTR high dump
 Hopper volume.....30 cu. ft.
 Hopper load capacity2,000 lbs (907 kg)
 Dust control180 ft² (16.7 m²)
 High dump64 inch (162.6 cm)
 RTR (rotary trash relocation) yes



STANDARD ABBREVIATIONS

°C-Degrees Celsius	INFO-Information
°F-Degrees Fahrenheit	INT-Internal or Interior
12V-12 Volts DC	LG-Long
AR-Abrasion Resistant	LH-Left Hand
ASSY-Assembly	LPG-Liquefied Petroleum Gas
ATO-Standard Auto Fuse Type Also called ATC	LP-Liquefied Petroleum
BHSCS-Button Head Screw SS	M8x1-Indicates Metric threads, 8mm Dia with a 1mm thread pitch
BLK-Black	MM-Millimeters
BLT-Belt	MNT-Mount
BR-Brass or Broom or Brush	MS-Mid Size
BRM-Broom	OD-Outside Diameter
BRKT-Bracket	PLTD-Plated
CB-Curb Broom	REV-Reverse
CCW-Counter Clockwise	RH-Right Hand
CI-Cubic Inch	ROT-Rotation
CW-Clockwise Rotation	RTR-Rotary Trash Relocator
CYL-Cylinder	SCR-Screw
DEG-Degrees	SC-Scrubber
DIA-Diameter	SP-Service Part
DPDT-Double Pole Double Throw	SPDT-Single Pole Double Throw
ELEC-Electric	SPST-Single Pole Single Throw
ES-Elastic Stop, also NYLOCK	SS-Stainless Steel
EXT-Exterior or Extended	STR-Straight
FI-Fuel Injection	ST-Straight
FS-Full Size	SUB-Sub Assembly
FTG-Fitting	THD-Thread
FWD-Forward	THK-Thick
REV-Reverse	THRU-Through
GAL-US Gallon (3.79 Liters)	UNC-Unified Nat'l Coarse Threads
GOV-Governor	UNF-Unified Nat'l Fine Threads
HD-Head	2203-Kubota Diesel Engine
HD-Heavy Duty	GM 1.6L-General Motors LP / Gasoline Engine
HOP-Hopper	W/-With
HSS-High Speed Steel	WELD-Weldment
HT-High Temperature	W/O-Without
HT-Height	SP-Zinc Plated
HYD-Hydraulic	
ID-Identification	
ID-Inside Diameter	
IMP-Impeller	

TABLE OF CONTENTS

PREFACE.....	2
TECHNICAL SPECIFICATIONS	4
DIMENSIONS & WEIGHT.....	4
SWEEPING SYSTEM	4
STANDARD ABBREVIATIONS	5
PARTS BREAKDOWN	10
FRAME ASSEMBLY	10
FRAME ASSEMBLY 1 (US MODEL).....	12
FRAME ASSEMBLY 2 (US MODEL).....	14
FRAME - REAR	18
BROOM DOOR ASSEMBLY	20
AXLE, BRAKE AND WHEEL ASSEMBLIES	22
7" MECHANICAL BRAKE ASSEMBLY	24
STEERING WHEEL, GAUGES & FUSES.....	26
SIDE BROOM ASSEMBLY - DRIVE MOTOR, ARM AND MOUNTING	28
SIDE BROOM ASSEMBLY - ADJUSTMENT COMPONENTS	30
ENGINE COVER, SIDE DOOR, LATCH & REAR GRILL	32
ENGINE COVER, SIDE DOOR, LATCH & REAR GRILL (US MODEL).....	34
ENGINE COVER (US MODEL)	36
HYDRAULIC HOSES, STEERING UNIT & COLUMN	38
POWERFLEX.....	40
REAR DRIVE ASSEMBLY	42
DIRECTIONAL CONTROL LINKAGE ASSEMBLY	44
CONSOLE ASSEMBLY	46
CONSOLE ASSEMBLY (CONTINUED)	48
CONSOLE ASSEMBLY (US MODEL).....	50
SEAT, FLOOR PAN & TAIL LIGHT	52
LP MOUNT ASSEMBLY	56
RTR SWITCH DETAIL LIFT ARM	57
LIFT & ROTATION CYLINDERS, HYDRAULIC HOSES	58
LIFT & ROTATION CYLINDERS, HYDRAULIC HOSES (CONTINUED).....	60
HOPPER.....	62
HOPPER COVER	64
HOPPER LATCH.....	66
HOPPER DUMP DOOR AND FLAPS	68
HOPPER FILTERS AND SHAKER	70
FRONT BUMPER ASSEMBLY.....	72

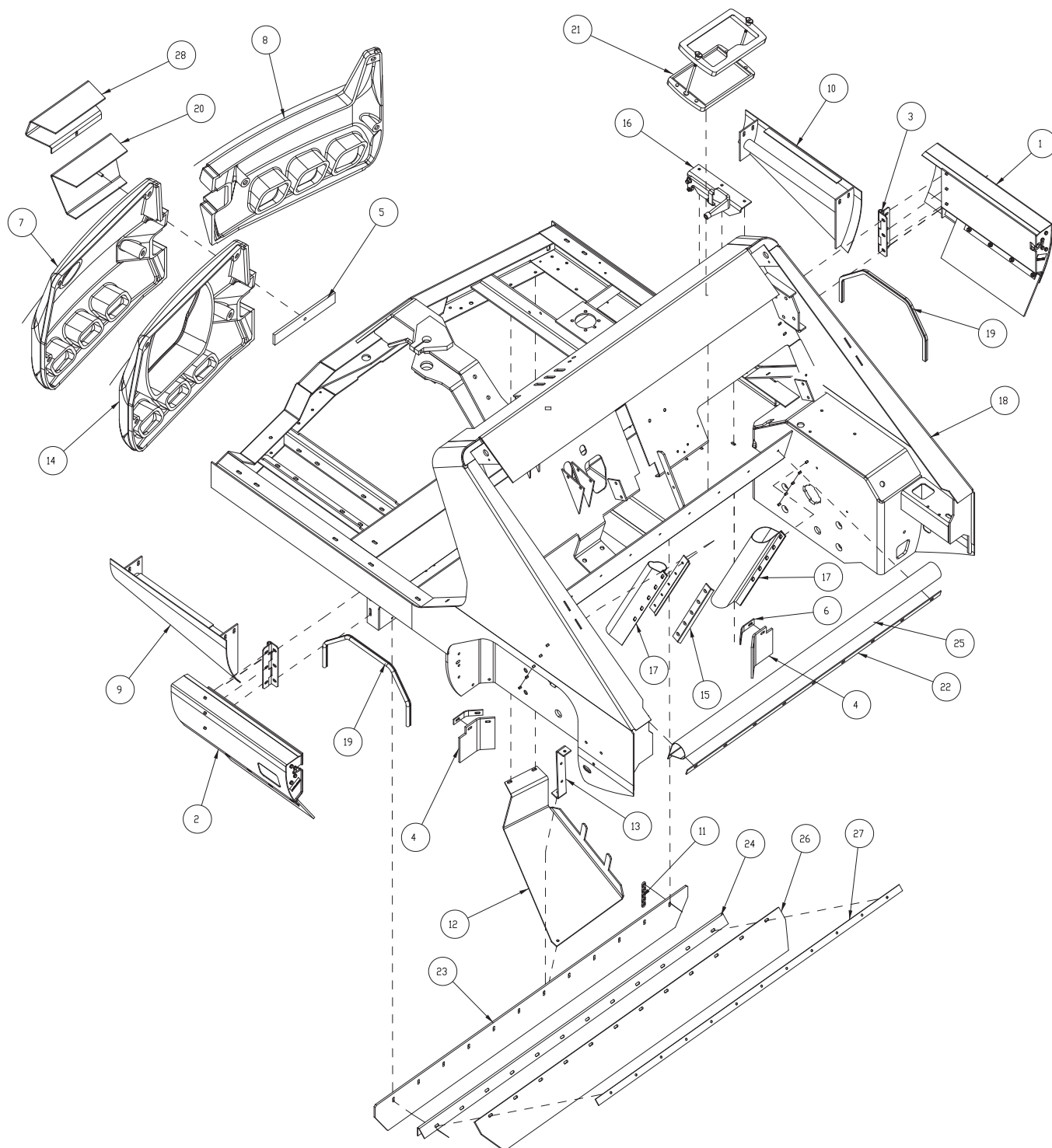
REGULATED HOPPER CONTROL GROUP	74
BATTERY COMPONENTS	76
TIMER-FILTER SHAKER SEALED	77
ENGINE PIVOT ASSY	78
ENGINE PIVOT ASSY (US MODEL)	80
ENGINE PAN, HYDRAULIC HOSE RETAINER & LATCH	82
ENGINE PAN, HYDRAULIC HOSE RETAINER & LATCH (US MODEL)	84
FUEL TANK, GASOLINE AND DIESEL	86
FUEL TANK, DIESEL (US MODEL)	88
HYDRAULIC RESERVOIR ASSEMBLY	90
HYDRAULIC CONTROL VALVE ASSEMBLY	92
IMPELLER ASSEMBLY (PRIOR TO SERIAL 22PB1765)	94
IMPELLER ASSEMBLY (SERIAL 22PB1765 AND AFTER)	96
MAIN BROOM ASSEMBLY	98
SIDE BROOM & MAIN BROOM	100
GASKET MOUNT ASSEMBLY	102
VACUUM SWITCH	104
2203 KUBOTA ENGINE PARTS BREAKDOWN	106
2203 KUBOTA ENGINE BLOCK ASSY	106
2203 KUBOTA ENGINE OIL PAN	108
2203 KUBOTA ENGINE CYLINDER HEAD	110
2203 KUBOTA ENGINE GEAR CASE	112
2203 KUBOTA ENGINE HEAD COVER	114
2203 KUBOTA ENGINE OIL FILTER	116
2203 KUBOTA ENGINE DIPSTICK AND GUIDE	118
2203 KUBOTA ENGINE OIL PUMP	120
2203 KUBOTA ENGINE OIL FILLER FLANGE	122
2203 KUBOTA ENGINE MAIN BEARING CASE	124
2203 KUBOTA ENGINE CAMSHAFT AND IDLE GEAR SHAFT	126
2203 KUBOTA ENGINE PISTON AND CRANKSHAFT	128
2203 KUBOTA ENGINE FLYWHEEL	130
2203 KUBOTA ENGINE FUEL CAMSHAFT AND GOVERNOR SHAFT	132
2203 KUBOTA ENGINE IDLE APPARATUS	134
2203 KUBOTA ENGINE STOP LEVER	136
2203 KUBOTA ENGINE STOP SOLENOID	138
2203 KUBOTA ENGINE INJECTION PUMP	140
2203 KUBOTA ENGINE GOVERNOR	142
2203 KUBOTA ENGINE SPEED CONTROL PLATE	144
2203 KUBOTA ENGINE NOZZLE HOLDER AND GLOW PLUG	146

2203 KUBOTA ENGINE FUEL FILTER	148
2203 KUBOTA ENGINE FUEL PUMP (MECHANICAL)	150
2203 KUBOTA ENGINE ALTERNATOR AND PULLEY	152
2203 KUBOTA ENGINE ALTERNATOR (COMPONENT PARTS)	154
2203 KUBOTA ENGINE STARTER	156
2203 KUBOTA ENGINE STARTER (COMPONENT PARTS)	158
2203 KUBOTA ENGINE OIL SWITCH AND PLUG	160
2203 KUBOTA ENGINE WATER FLANGE AND THERMOSTAT	162
2203 KUBOTA ENGINE WATER PUMP	164
2203 KUBOTA ENGINE FAN	166
2203 KUBOTA ENGINE VALVE AND ROCKER ARM	168
2203 KUBOTA ENGINE INLET MANIFOLD	170
2203 KUBOTA ENGINE EXHAUST MANIFOLD	172
2203 KUBOTA ENGINE ACCESSORIES AND SERVICE PARTS	174
2203 KUBOTA ENGINE LABEL AND OPERATOR'S MANUAL	176
2203 KUBOTA ENGINE UPPER GASKET KIT [OPTION]	178
2203 KUBOTA ENGINE LOWER GASKET KIT [OPTION]	180
2203 KUBOTA ENGINE - RADIATOR AND SENDERS	182
2203 KUBOTA ENGINE - MOUNTS AND HOSE RETAINER	184
2203 KUBOTA ENGINE - AIR AND EXHAUST	186
2203 KUBOTA ENGINE - FUSE PANEL	188
2203 KUBOTA ENGINE - FUSE BOX DETAIL	190
2203 KUBOTA ENGINE - HYDRAULIC PUMP DETAIL	192
2203 KUBOTA ENGINE - HYDRAULIC PUMP DETAIL (CONTINUED)	194
ENGINE KUBOTA V1505 DIESEL, WG1605 GAS & LPG - HYDRAULIC PUMP DETAIL	196
ENGINE KUBOTA WG1605 LPG - AIR CLEANER DETAIL	198
ENGINE KUBOTA WG1605 GAS - AIR CLEANER DETAIL	199
ENGINE KUBOTA WG1605 GAS & LPG ENGINE ASSEMBLY	200
ENGINE KUBOTA WG1605 GAS & LPG - MOUNTS-EXHAUST SIDE	202
ENGINE KUBOTA WG1605 GAS & LPG - MOUNTS-INTAKE SIDE	203
ENGINE KUBOTA WG1605 GAS & LPG - MOUNTING FASTENER DETAIL	204
ENGINE KUBOTA WG1605 GAS & LPG - MOUNTING FASTENER DETAIL	205
ENGINE KUBOTA WG1605 GAS & LPG - MOUNTING AIR CLEANER BRACKET	206
ENGINE KUBOTA WG1605 GAS & LPG - RADIATOR MOUNTS	207
ENGINE KUBOTA WG1605 GAS & LPG - RADIATOR	208
ENGINE KUBOTA WG1605 GAS & LPG - EXHAUST DETAIL	210
ENGINE KUBOTA WG1605 LPG - INLET MANIFOLD	212
VAPORIZER TO LPG TANK CONNECTIONS	214
D1803 KUBOTA ENGINE PARTS BREAKDOWN (US MODEL)	216
D1803 ENGINE ASSEMBLY	216

501200 DIPSTICK AND GUIDE (D1803 ENGINE)	222
501500 OIL PUMP (D1803 ENGINE)	223
502000 CYLINDER HEAD (D1803 ENGINE)	224
503000 INLET VALVE AND EXHAUST VALVE (D1803 ENGINE)	226
505000 HEAD COVER (D1803 ENGINE)	227
508000 GEAR CASE (D1803 ENGINE)	228
508200 OIL FILTER (D1803 ENGINE)	229
510500 MAIN BEARING CASE (D1803 ENGINE)	230
511000 PISTON AND CRANKSHAFT(D1803 ENGINE)	232
512000 CAMSHAFT AND IDLE GEAR SHAFT (D1803 ENGINE)	234
515000 FLYWHEEL (D1803 ENGINE)	235
521000 INJECTION PUMP (D1803 ENGINE)	236
522000 FUEL CAMSHAFT (D1803 ENGINE)	237
526500 SUPPLY PUMP (D1803 ENGINE)	238
531000 FUEL FILTER (D1803 ENGINE)	239
532500 SEPARATOR (D1803 ENGINE)	240
540200 INJECTOR AND GLOW PLUG (D1803 ENGINE)	241
545000 INJECTION PIPE (D1803 ENGINE)	242
547100 FUEL PUMP (D1803 ENGINE)	243
548000 COMMON RAIL (D1803 ENGINE)	244
550000 ALTERNATOR AND PULLEY (D1803 ENGINE)	245
551000 ALTERNATOR COMPONENTS	246
556000 OIL SWITCH AND THERMOMETER (D1803 ENGINE)	248
554000 STARTER (D1803 ENGINE)	249
555000 STARTER COMPONENTS (D1803 ENGINE)	250
557500 INJECTOR HARNESS (D1803 ENGINE)	252
558000 ELECTRICAL WIRING (D1803 ENGINE)	252
501000 OIL PAN (D1803 ENGINE)	253
573000 AIR CLEANER ASSEMBLY (D1803 ENGINE)	254
OPTIONS	256
OPT - AIR CLEANER, HEAVY DUTY (3331034-10X)	256
OPT - MERV/HEPA FILTER, 10X (690697-10X)	258
OPT - OVERHEAD GUARD 9X/10X (690840)	260
SCHEMATICS	262
HYDRAULIC SCHEMATIC	262
ELECTRICAL SCHEMATIC	265
ELECTRICAL SCHEMATIC (US MODEL)	270

PARTS BREAKDOWN

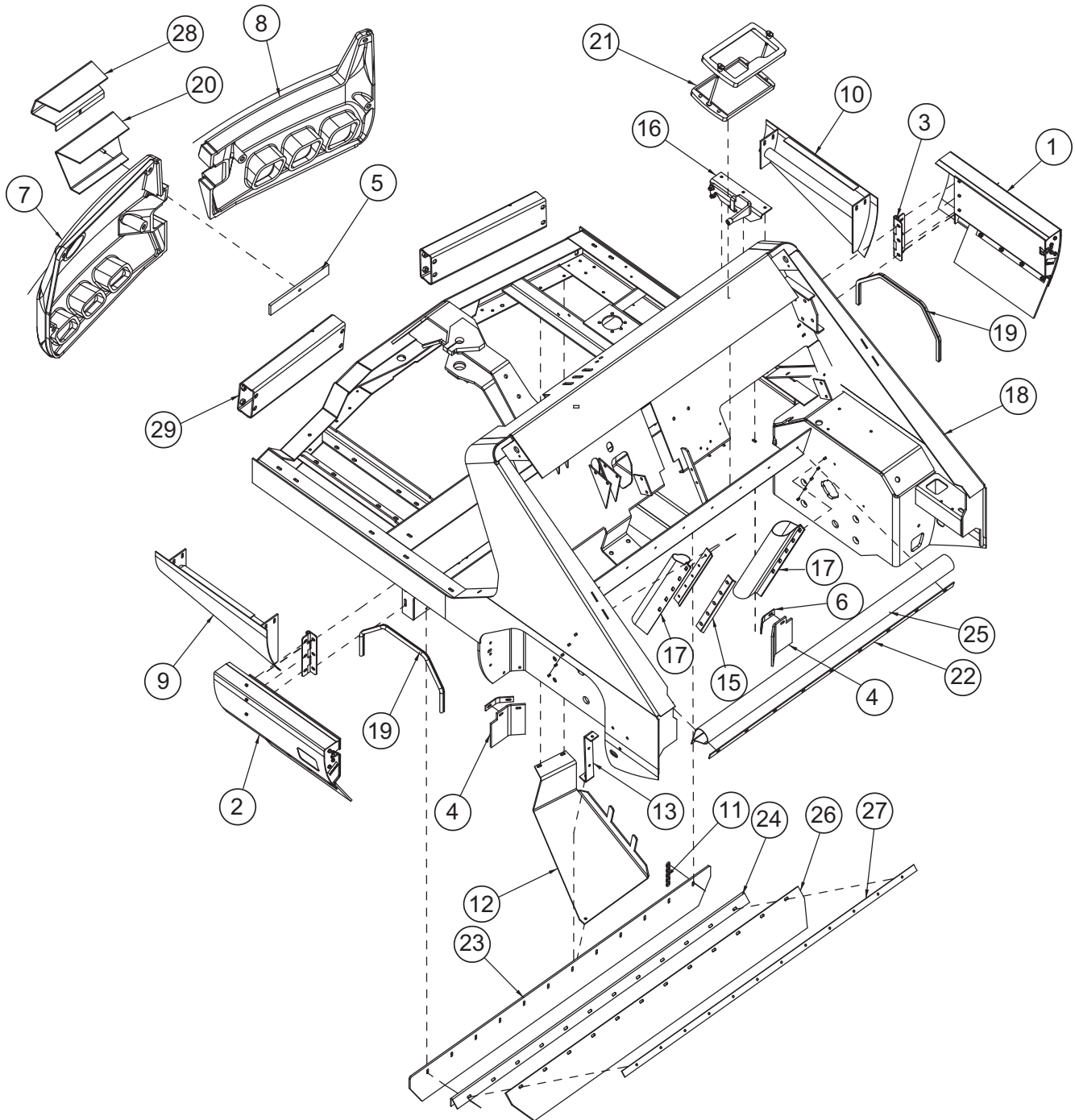
FRAME ASSEMBLY



ALL MODELS EXCEPT THE 10XT3DSL-US (UNITED STATES MODEL)

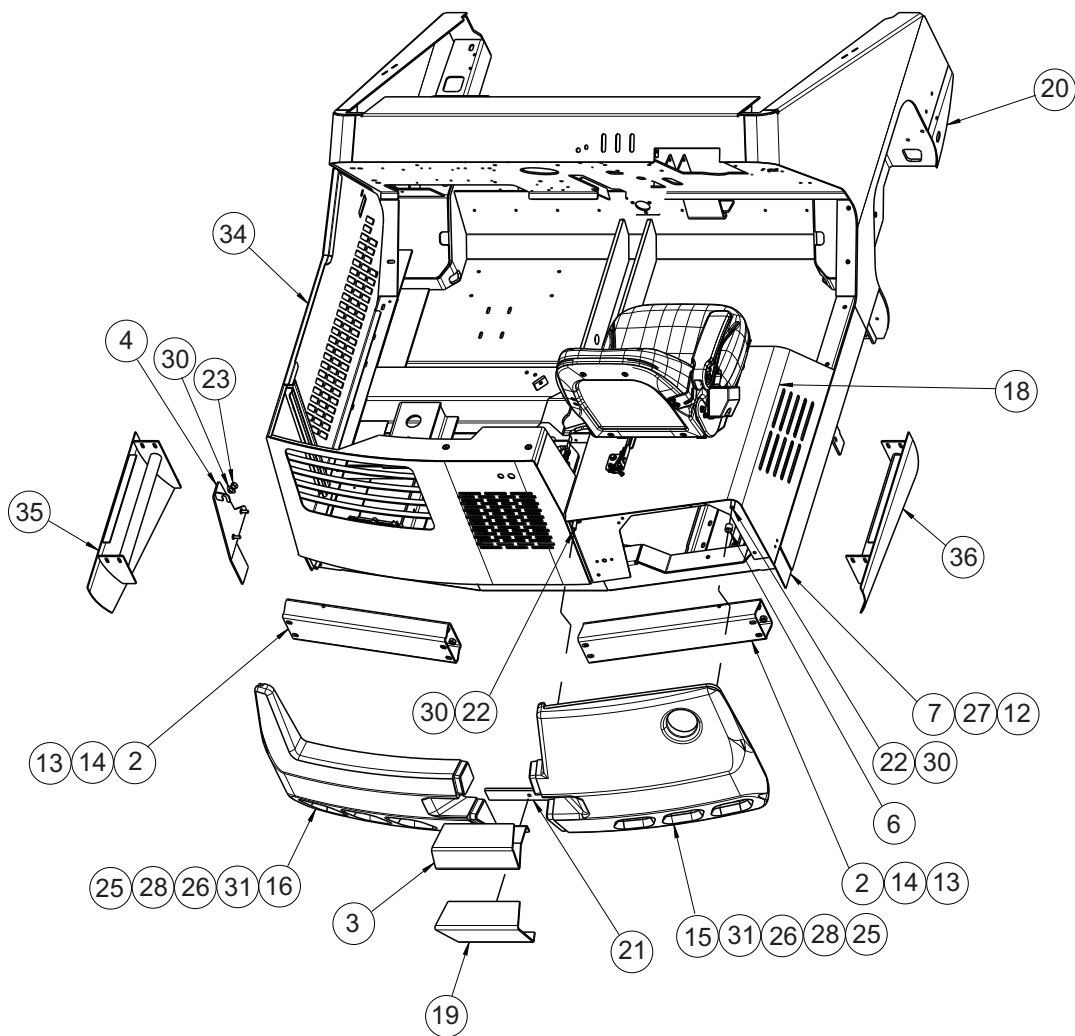
FRAME ASSEMBLY			
ITEM	PART NO.	REQ'D	DESCRIPTION
1	888256	1	ASSEMBLY - BROOM DOOR LH 8/9/10X
2	888257	1	ASSEMBLY - BROOM DOOR RH 8/9/10X
3	3307275	2	HINGE-BROOM DOOR SW/A PNTD
4	3307286	2	ARMA - BROOM CORNER FLAP
5	3350275	1	BACKING - CASTING COVER PNTD
6	3307287	2	ARMA - BROOM CORNER FLAP STRAP
7	3307320	1	COUNTERWEIGHT-RH MACHINED PNTD (GAS AND DSL ONLY)
8	3307321	1	COUNTERWEIGHT-LH MACHINED PNTD
9	3307519M	1	WELD-SKIRT RH REAR SIDE PNTD
10	3307520M	1	WELD-SKIRT LH REAR SIDE PNTD
11	3307658	1	CHAIN - FRAME GROUNDING
12	3307791	1	PAN - HOSE SW/A
13	3307792	1	BAR - HOSE PAN SUPPORT SW/A
14	3307835	1	COUNTERWEIGHT- RH LPG PNTD (LP MODEL ONLY)
15	3315203	2	RETAINER - HOPPER SIDE SEAL
16	888263	1	ASSEMBLY - ENGINE LOCK SUB
17	3318143	2	SEAL - RUBBER HOPPER SIDE
18	3350153	1	FRAME WELD ASSY, 10X
19	3318739	3 ft.	WEATHER STRIPPING-RUBBER SPONGE
20	3350134	1	ASSY - LOWER CASTING COVER PNTD
21	690250	1	TRAY- BATTERY, 24 SERIES
22	3350126	1	STRAP-FRAME HOPPER FLAP SW/10X
23	3350128	1	FLAP-REAR, SW/A
24	3350129	1	ARMA - REAR FLAP ANGLE
25	3350130	1	SEAL - FRAME HOPPER HORIZONTAL
26	3350131	1	FLAP - REAR FEED SW/A
27	3350132	1	STRAP - REAR FEED FLAP PAINTED
28	3350133	1	PLT - WD UPPER CASTING COVER

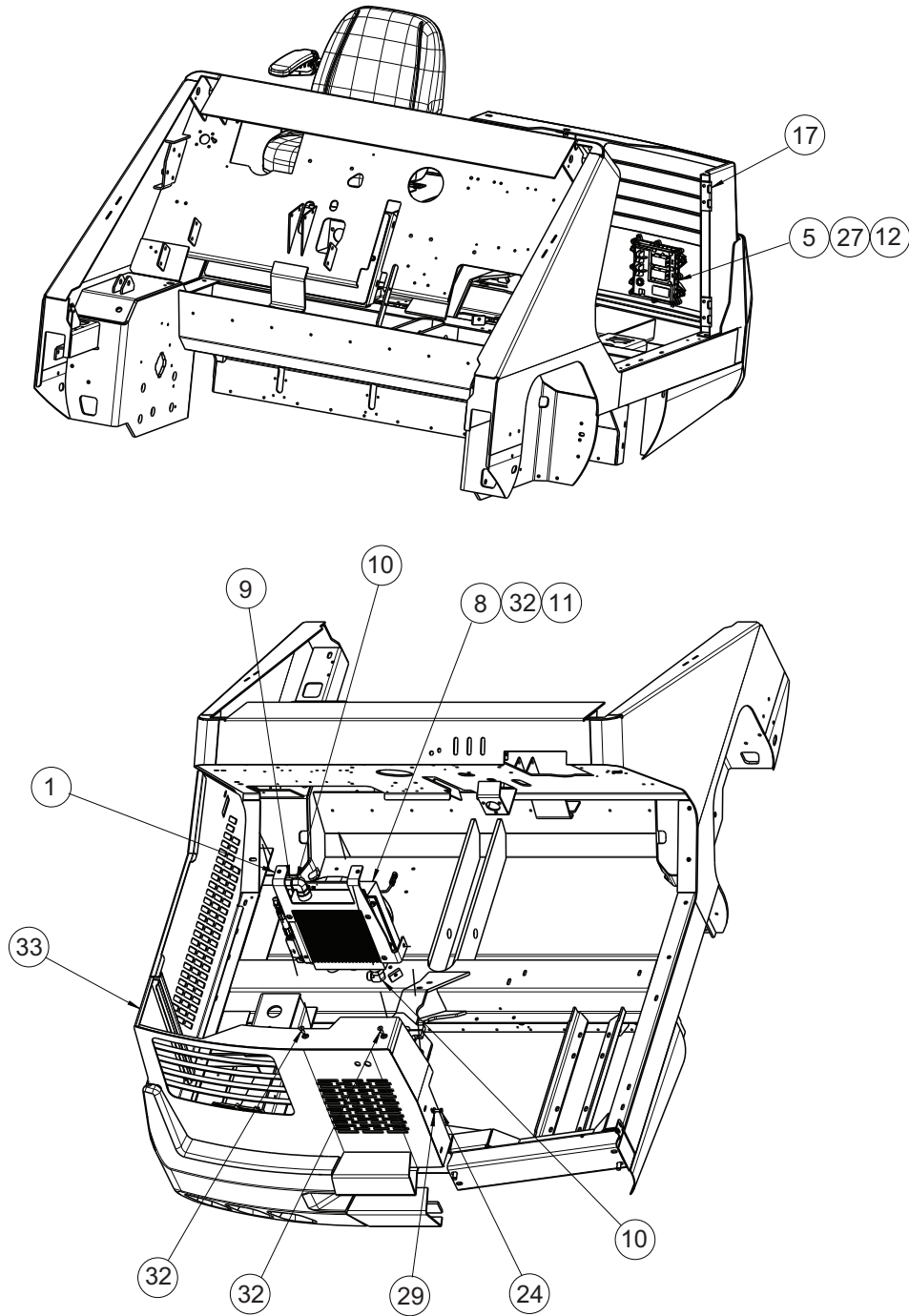
FRAME ASSEMBLY 1 (US MODEL)



FRAME ASSEMBLY 1 - US MODEL			
ITEM	PART NO.	REQ'D	DESCRIPTION
1	888256	1	ASSEMBLY - BROOM DOOR LH 8/9/10x
2	888257	1	ASSEMBLY - BROOM DOOR RH 8/9/10x
3	3307275	2	HINGE-BROOM DOOR SW/A PNTD
4	3307286	2	ARMA - BROOM CORNER FLAP
5	3350275	1	BACKING - CASTING COVER PNTD
6	3307287	2	ARMA - BROOM CORNER FLAP STRAP
7	3307320	1	COUNTERWEIGHT-RH MACHINED PNTD
8	3307321	1	COUNTERWEIGHT-LH MACHINED PNTD
9	650093RH	1	WELDMENT, EXTENDED RH SKIRT, 10X
10	650093LH	1	WELDMENT, EXTENDED LH SKIRT, 10X
11	3307658	1	CHAIN - FRAME GROUNDING
12	3307791	1	PAN - HOSE SW/A
13	3307792	1	BAR - HOSE PAN SUPPORT SW/A
15	3315203	2	RETAINER - HOPPER SIDE SEAL
16	888263	1	ASSEMBLY - ENGINE LOCK SUB
17	3318143	2	SEAL - RUBBER HOPPER SIDE
18	3350153	1	FRAME WELD ASSY, 10X
19	3318739	3 FT	WEATHER STRIPPING-RUBBER SPONGE
20	3350134	1	ASSY - LOWER CASTING COVER PNTD
21	690250	1	TRAY- BATTERY, 24 SERIES
22	3350126	1	STRAP-FRAME HOPPER FLAP SW/10X
23	3350128	1	FLAP-REAR, SW/A
24	3350129	1	ARMA - REAR FLAP ANGLE
25	3350130	1	SEAL - FRAME HOPPER HORIZONTAL
26	3350131	1	FLAP - REAR FEED SW/A
27	3350132	1	STRAP - REAR FEED FLAP PAINTED
28	650095	1	PLT - WD UPPER CASTING COVER
29	650051	2	TUBE ASSY, BUMPER EXTENSION

FRAME ASSEMBLY 2 (US MODEL)

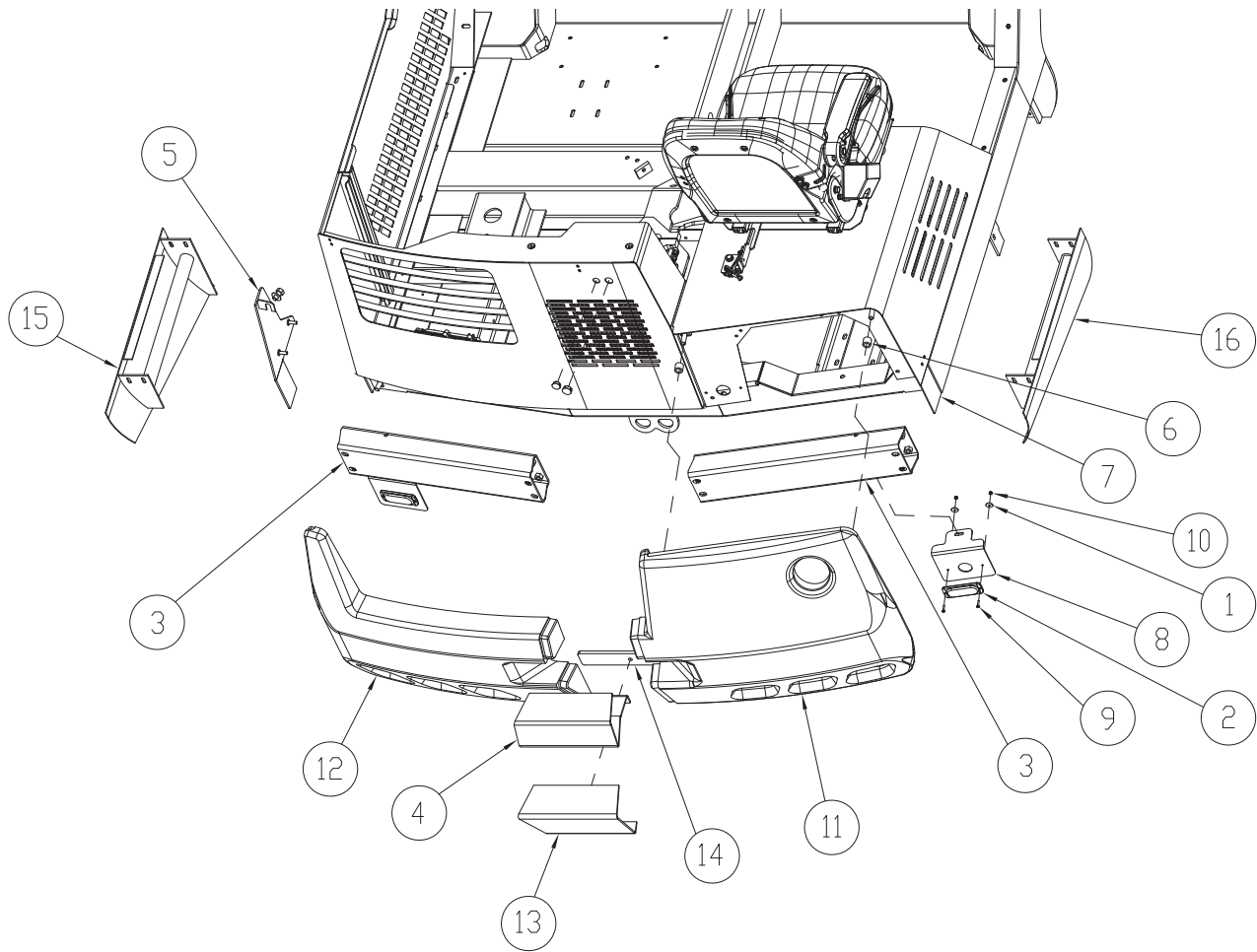




FRAME ASSEMBLY 2 - US MODEL			
ITEM	PART NO.	REQ'D	DESCRIPTION
1	650050	1	BRKT ASSY, COOLER SUPPORT
2	650051	2	TUBE ASSY, BUMPER EXTENSION
3	650095	1	PLATE, EXTENDED UPPER CASTING COVER, 10X
4	650096	1	WELDMENT, EXTENDED CORNER GUARD, 10X
5	***	1	ECU - INCLUDED WITH ENGINE
6	650125	1	SPACER, .563 ID X .875 OD X .800 THK
7	650126	1	WELDMENT, LWR SEAT CLIP FILL
8	650129-1	1	COOLER ASSY, HYDRAULIC OIL
9	650130	1	FTG-ORFS REDUCER SWIVEL NUT -12 -8
10	675535	2	FTG-ORFS 90 ELBOW -12 -16 SAE
11	711374	3	NUT-NYLOC 5/16-18 ZP
12	711425	6	NUT-FLANGED WIZZ 1/4-20 ZP
13	712010	4	SCR-HH 1/2-13 X 1.25 ZP GR 5
14	730528	4	WASHER-FENDER M12 X 37 SS
15	3307320	1	COUNTERWEIGHT-RH MACHINED PNTD
16	3307321	1	COUNTERWEIGHT-LH MACHINED PNTD
17	3307513	2	HINGE-SIDE DOOR SW/A STAINLESS STEEL
18	3335379-US	1	ASSY- SEAT CLIP, ARMA-US
19	3350134	1	LOWER CASTING COVER SW10X
20	3350153	1	MAIN FRAME 10X
21	3350275	1	BACKING-CASTING COVER SW/10X
22	3400020	2	SCR-HH 1/2-13 X 2.00 ZP GR 5
23	3400023	1	SCR-HH 1/2-13 X 1.00 ZP GR 5
24	3400035	1	SCR-HH 5/16-18 X 1.00 ZP GR 5
25	3400065	4	NUT-HEX 1/2-13 ZP GR 5
26	3400086	4	WASHER-FLAT 1/2 ZP
27	711505	6	WASHER-FLAT 1/4 ZP
28	3400098	4	WASHER-LOCK 1/2 SPLIT ZP
29	3400384	1	WASHER-CONICAL SPRING 5/16
30	3400387	3	WASHER-CONICAL SPRING 1/2

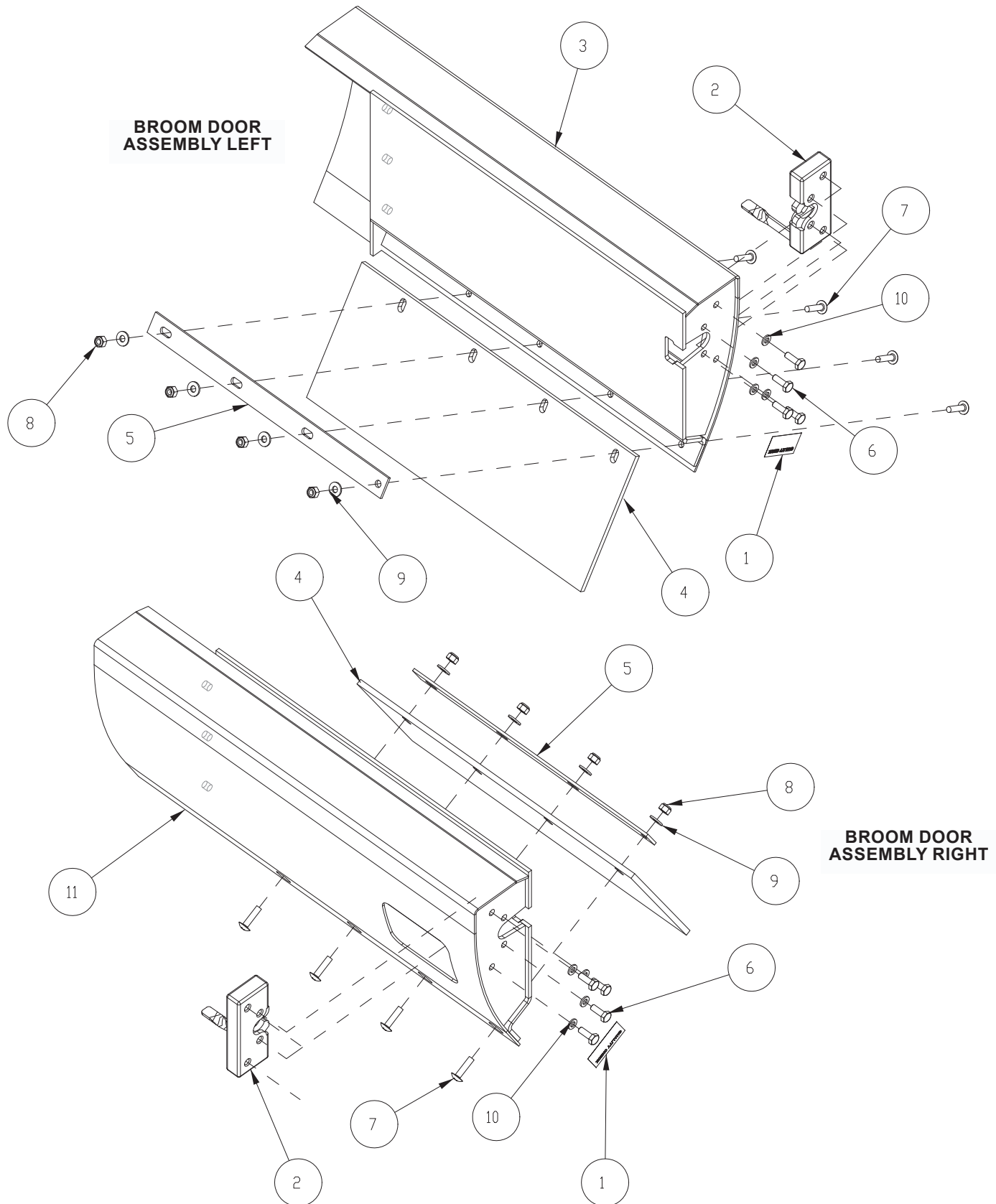
FRAME ASSEMBLY 2 - US MODEL			
ITEM	PART NO.	REQ'D	DESCRIPTION
31	3400443	4	STUD-THREADED 1/2-13 X 2.50
32	3401070	5	SCR-FHSCS 5/16-18 X 1.0 ZP HEX DRIVE
33	650054SOR	1	RADIATOR GUARD, 10X (ORANGE)
34	650090SOR	1	WELDMENT, EXTENDED SIDE DOOR, 10X ORANGE
35	650093LH	1	WELDMENT, EXTENDED LH SKIRT, 10X
36	650093RH	1	WELDMENT, EXTENDED RH SKIRT, 10X

FRAME - REAR



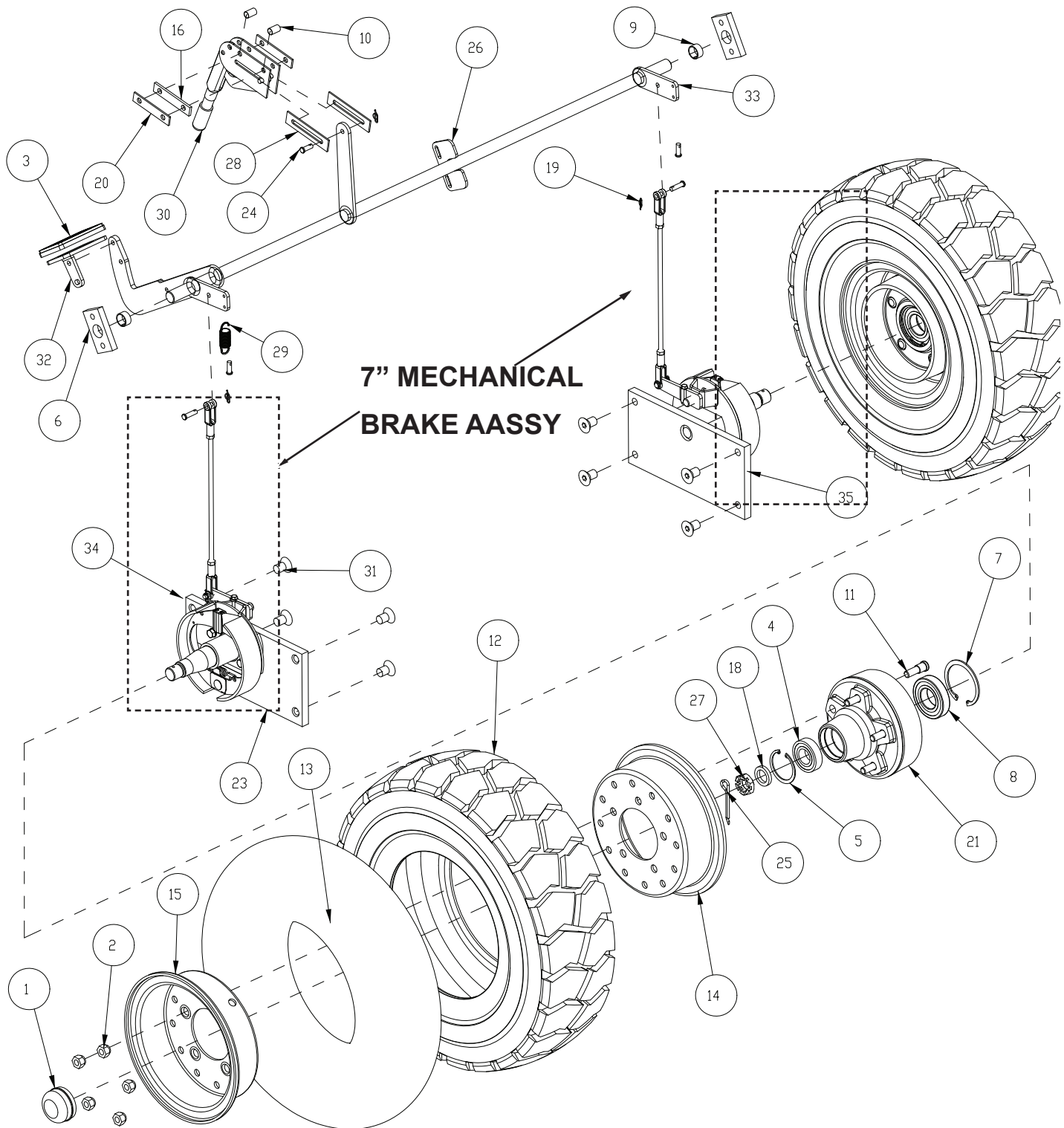
FRAME - REAR			
ITEM	PART NO.	REQ'D	DESCRIPTION
1	711501	4	WASHER-FLAT #6 X .375 ZP
2	600698-2	1	ASSY, LIGHTS, TAIL, BRK, RED LED
3	650051	2	TUBE ASSY, BUMPER EXTENSION <i>(US-DSL ONLY)</i>
4	650095	1	PLATE, EXTENDED UPPER CASTING COVER, 10X <i>(US-DSL ONLY)</i>
5	650096	1	WELDMENT, EXTENDED CORNER GUARD, 10X <i>(US-DSL ONLY)</i>
6	650125	2	SPACER, .563 ID X .875 OD X .800 THK
7	650126	1	WELDMENT, LWR SEAT CLIP FILL <i>(US-DSL ONLY)</i>
8	650270	2	BRKT, TAIL LIGHT SUPPORT (10X)
9	710305	4	SCR-PHMS 6-32 X .75 ZP
10	711371	4	NUT-NYLOC 6-32 ZP
11	3307320	1	COUNTERWEIGHT-RH MACHINED PNTD
12	3307321	1	COUNTERWEIGHT-LH MACHINED PNTD
13	3350134	1	LOWER CASTING COVER SW10X
14	3350275	1	BACKING-CASTING COVER SW/10X
15	650093LH	1	WELDMENT, EXTENDED LH SKIRT, 10X <i>(US-DSL ONLY)</i>
16	650093RH	1	WELDMENT, EXTENDED RH SKIRT, 10X <i>(US-DSL ONLY)</i>

BROOM DOOR ASSEMBLY



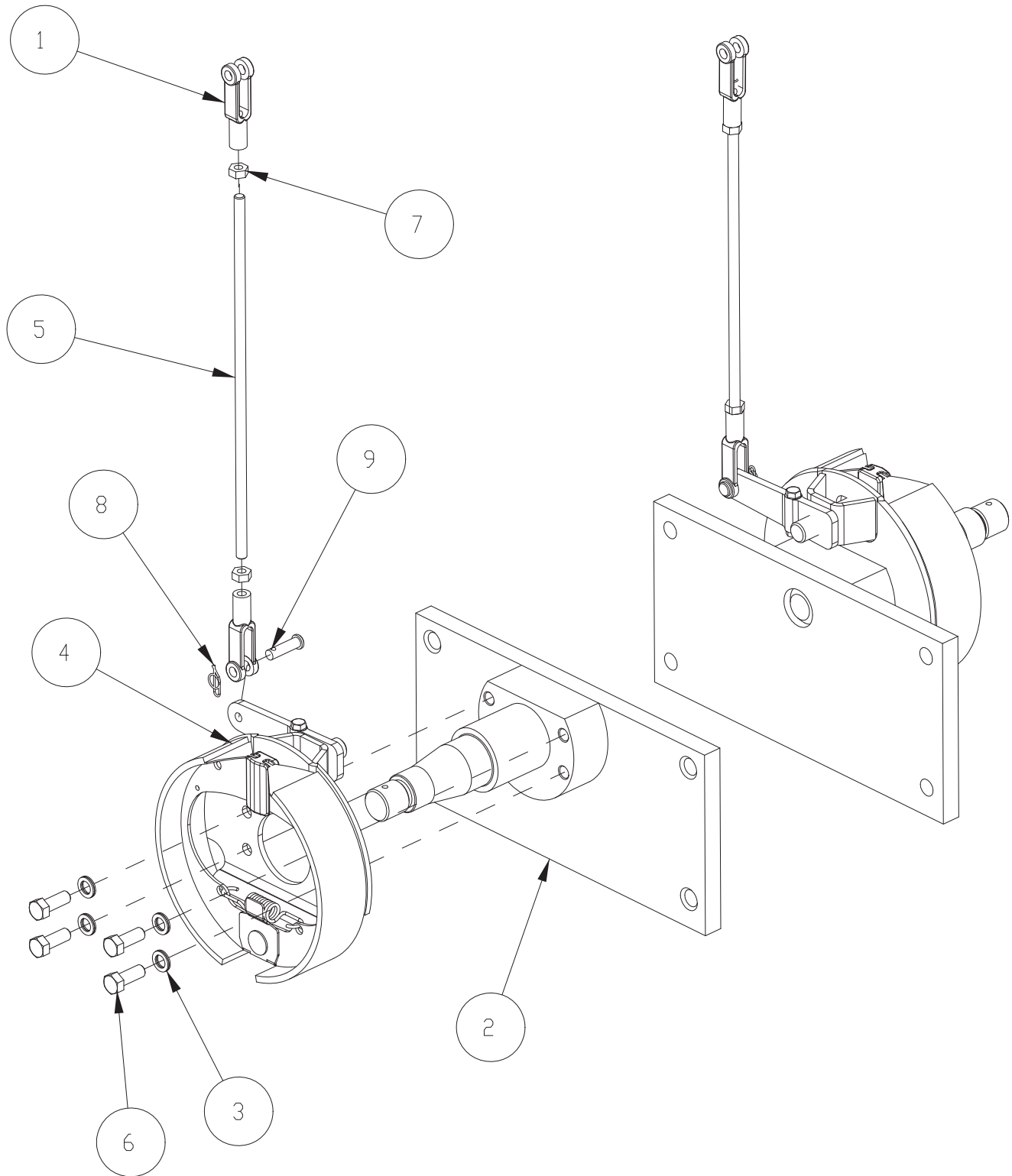
BROOM DOOR ASSEMBLY			
ITEM	PART NO.	REQ'D	DESCRIPTION
1	--XXX--	-	NOT SOLD SEPARATELY
2	3307246	1	LATCH-ROTARY
3	3307266M	1	WELD-DOOR, LH BROOM, SW/A PAINTED
4	3307280	1	FLAP - MAIN BROOM DOOR
5	3307284	1	STRAP - BRM DOOR FLAP PNTD
6	713002	4	SCR-HEX 1/4-20X.75 ZP
7	710182	4	SCR-TRS 1/4-20 X 1.00 SLT ZP
8	711373	4	NUT-HEX 1/4-20 ES ZP
9	711505	4	WASHER 1/4 ID .63 OD X .065 THK
10	711544	4	WASHER-LOCK 1/4 SPLIT ZP
11	3307265M	1	WELD-DOOR, RH BROOM, SW/A PAINTED

AXLE, BRAKE AND WHEEL ASSEMBLIES



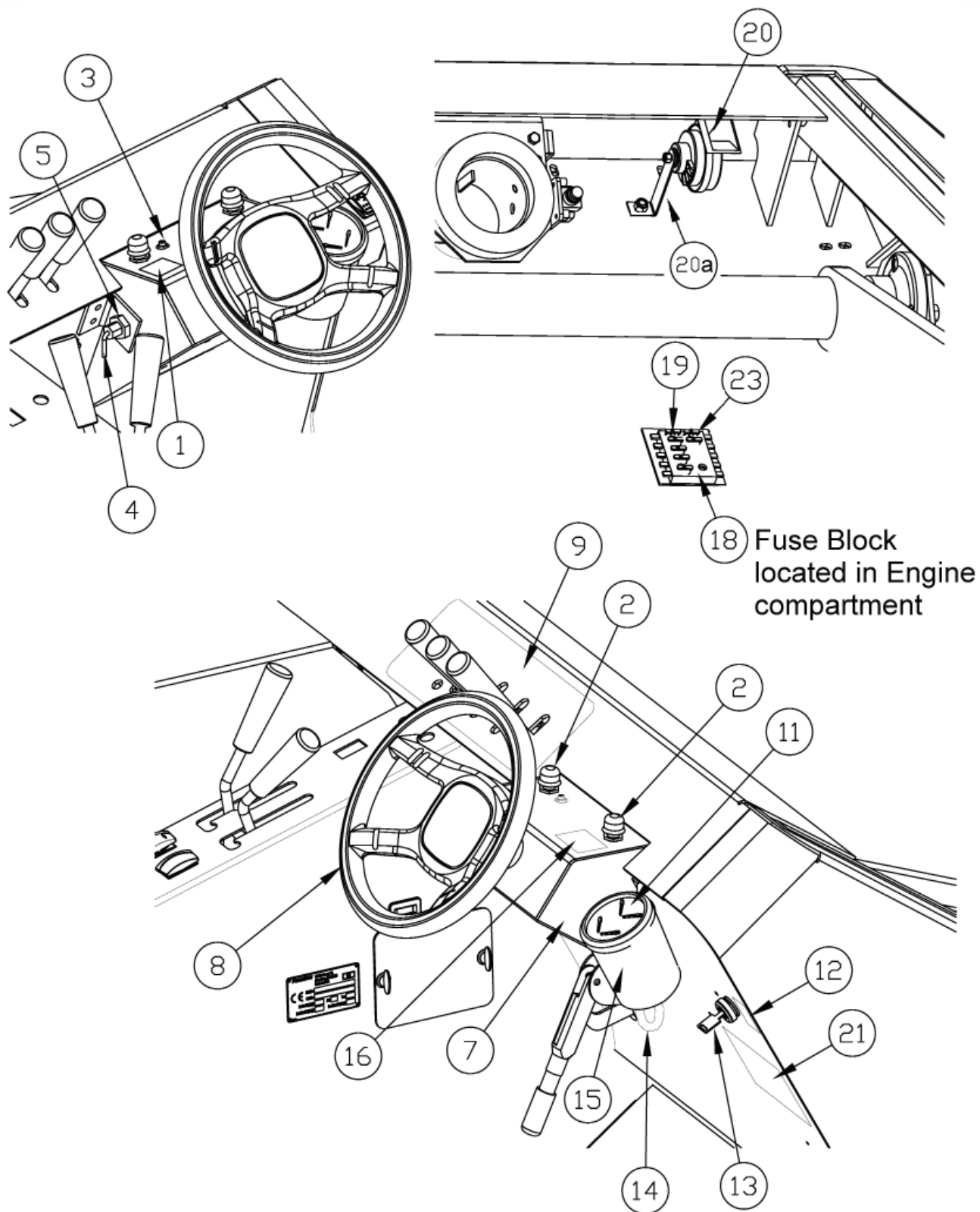
AXLE, BRAKE AND WHEEL ASSEMBLIES			
ITEM	PART NO.	REQ'D	DESCRIPTION
1	3300369	2	CAP-HUB, 2.44" DIA.
2	711036	10	NUT-ACORN 1/2-20, CHROME
3	3300413	1	PAD-BRAKE PEDAL
4	3300467	2	BEARING-BALL 2.44 OD X 1.18 ID
5	3300473	2	RETAINING RING, INT 2.44
6	3307233	2	MNT- BRG - BRAKE
7	3307237	2	RING - RET. INT. INNER WHEEL SW/A
8	3307238	2	BEARING - INNER WHEEL SW/A
9	3307239	2	BEARING-BRAKE ARM SW/A
10	3307241	2	SPACER-HAND BRAKE PLTD SW/A
11	3307242	10	STUD - WHEEL, 1/2-20X1.75 LG
	3307022		TIRE ASSEMBLY (ITEMS 12-15)
12	3307252	2	TIRE-PNEUMATIC 6.50X10
13	3307253	2	TUBE - TIRE INNER, 600x9
14	3307254	2	RIM - REAR INNER SW/A
15	3307255	2	RIM - REAR OUTER SW/A
16	3307273	1	ARMA-HAND BRAKE SPACER
18	3307352	2	ARMA - FRONT HUB WASHER
19	3400125	5	PIN-COTTER 3/8 RUE RING
20	3307895	2	SPACER THIN-HAND BRAKE SW/A
21	3318288	2	HUB - 7 INCH I.D.
23	3334058	2	WELDMENT - FRONT AXLE
24	3400118	3	PIN-CLEVIS 5/16 x 7/8 ZP
25	3400120	2	PIN-COTTER 5/32 X 2.00 ZP
26	3334060	1	SUPPORT - MANUAL BRAKES SW/A
27	3400076	2	NUT-HEX JAM SLOTTED, 1-14 ZP
28	3334087	2	BAR-PARKING BRAKE SLIDER
29	3301522	2	SPRING-MANUAL BRAKE
30	3303169	1	LEVER-HAND BRAKE SW/A
31	3400011	8	SCREW-FLAT HEAD 5/8-11 X 1.00, SOC ZP
32	3337386	1	PLT - BRAKE PEDAL
33	3337543	1	WELDMENT - BRAKE BAR, 2PC
34	888308	1	ASSY-AXLE 7" BRAKE RH SUB
35	888309	1	ASSY-AXLE 7" BRAKE LH SUB

7" MECHANICAL BRAKE ASSEMBLY



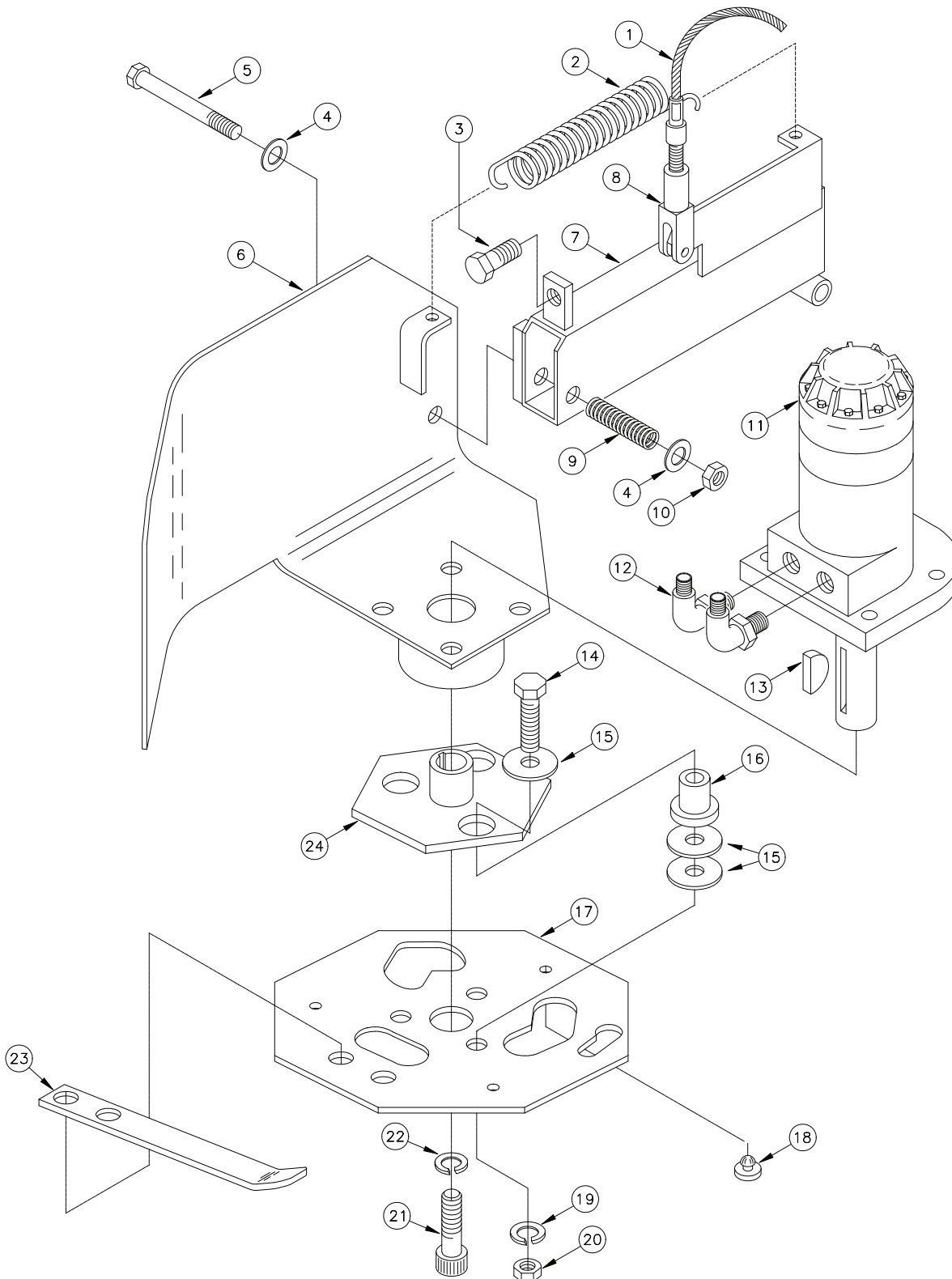
7" MECHANICAL BRAKE ASSEMBLY			
ITEM	PART NO.	REQ'D	DESCRIPTION
1	3307642	2	CLEVIS-5/16 PLTD SW/A
2	3334058	1	WELDMENT - FRONT AXLE
3	3401570-9	4	WASHER-NORD-LOCK, 3/8, ZP
4	3334059	1	BRAKE - 7" MANUAL LH&RH
5	3334061	1	ROD - MANUAL BRAKE ADJUST
6	713042	4	SCREW-HHM 3/8-16 X 1.0 LG ZP
7	711322	2	NUT-HEX 5/16-24 ZP
8	3400125	1	PIN-COTTER 3/8 RUE RING
9	3400184	1	PIN-CLEVIS 5/16 x 1-1/8 ZP

STEERING WHEEL, GAUGES & FUSES



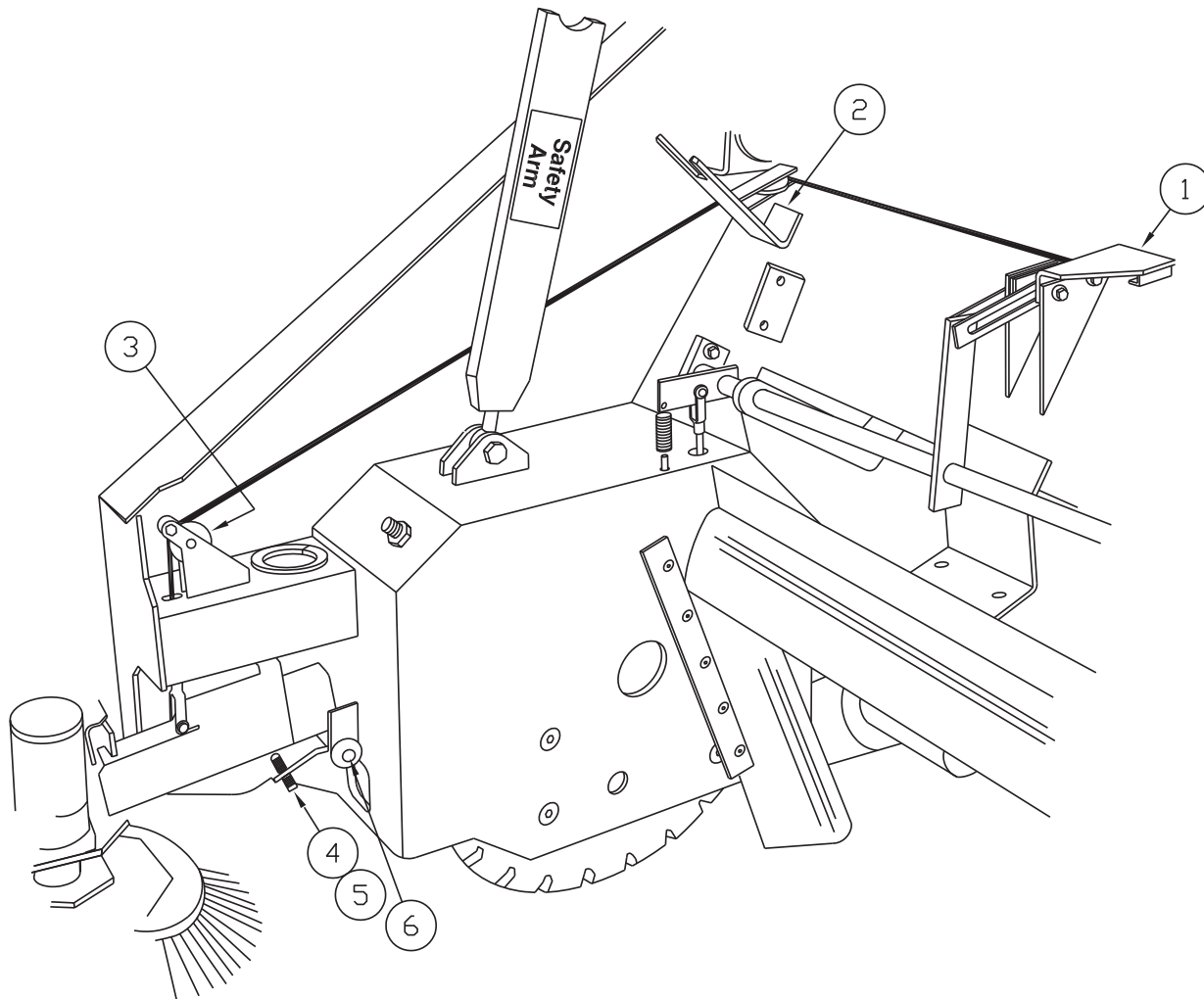
STEERING WHEEL, GAUGES & FUSES			
ITEM	PART NO.	REQ'D	DESCRIPTION
1	3302520	1	DECAL-"FILTER SHAKER"
2	3300441	2	SWITCH MOMENTARY 12V
3	3026924	1	CIRCUIT BREAKER-45 AMP
4	600260	1	KNOB LEVER
5A	3338622	1	WDT - TILT STEERING LOCK
5B	3400192	2	NUT-HEX JAM 5/8-11 ZP
5C	12310058	1	WSR-FLT M10.5 X 20 X 2 STL
7	3338616P	1	WDT - AM9D TILT STEERING BOX
8A	610000	1	STEERING WHEEL
8B	610001	1	STEERING WHEEL COVER
8C	610003	1	STEERING WHEEL KNOB (NOT SHOWN)
9	3307594	1	DECAL-FRONT PANEL SW/A
11	3333721	1	GAUGE-4 IN 1, 3.50" DIA
12	3307599	1	DECAL-IGNITION SW/A
13	3316100	1	SW-IGNITION, 3-POS, W/STARTER LOCKOUT
	747038		SW-IGNITION, 4-POS, W/STARTER LOCKOUT - US MODEL ONLY
14	3335096	1	HARNESS-GAUGE
15	3333719P	1	WELDMENT-GAUGE MOUNT
	650117		WELDMENT-GAUGE MOUNT - US MODEL ONLY
16	3302525	1	DECAL-"HORN"
18	3322599	1	FUSE BLOCK-ATO, 10 POSITON
19	3322601	5	FUSE-15 AMP AUTOMOTIVE PUSH IN
20	3300379	1	HORN-AUTOMOTIVE 12V STANDARD
20a	704202	1	HORN MOUNTING BRACKET
21	3301854	1	DECAL-CAUTION
23	3322601	5	FUSE-15 AMP AUTOMOTIVE

SIDE BROOM ASSEMBLY - DRIVE MOTOR, ARM AND MOUNTING



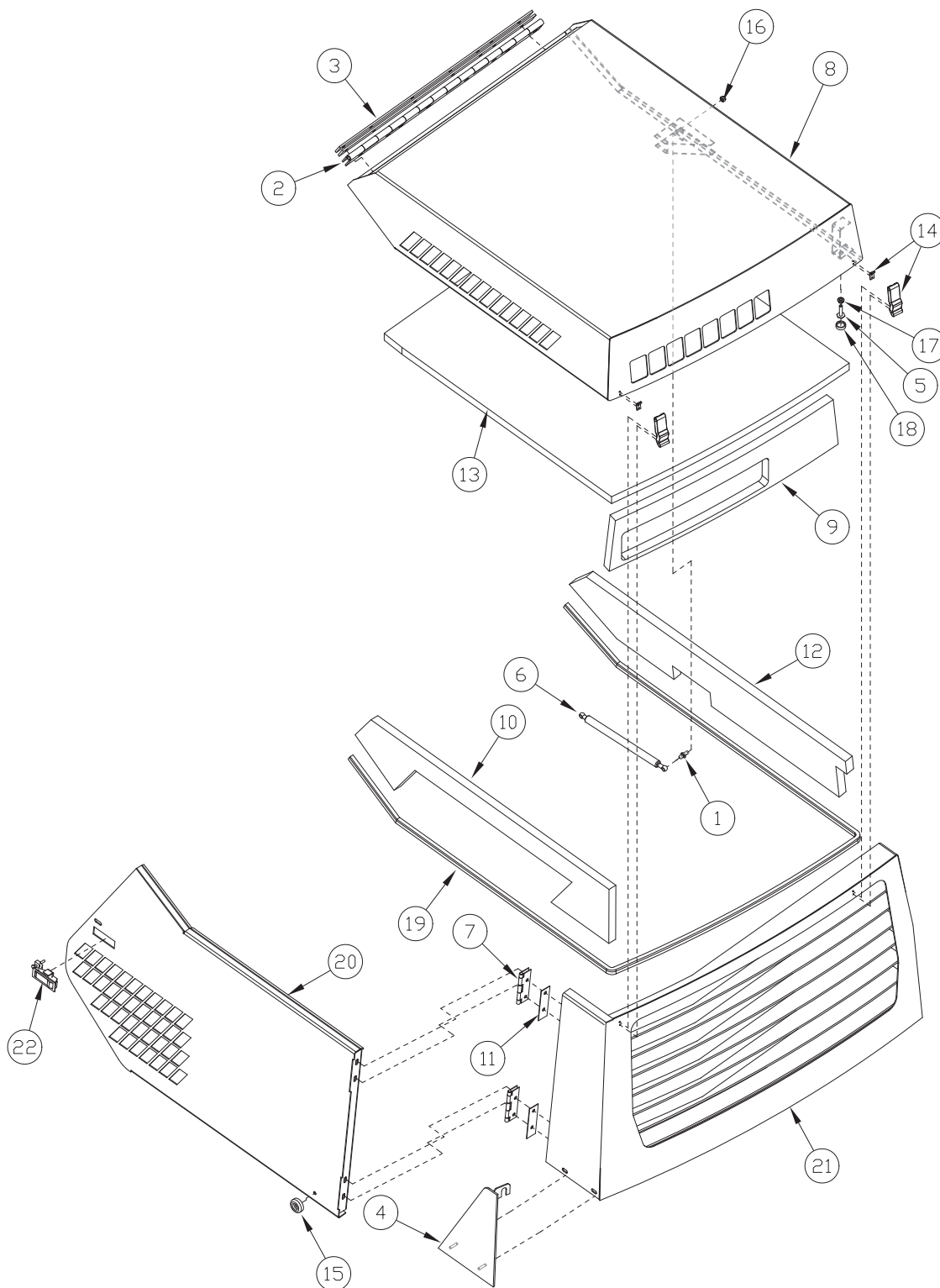
SIDE BROOM ASSEMBLY - DRIVE MOTOR, ARM AND MOUNTING			
ITEM	PART NO.	REQ'D	DESCRIPTION
1	3335120	1	CABLE-SIDE BROOM
2	3302599	1	SPRING-EXT LOOPS-IN-LINE
3	711250	1	SCR-HH 3/8-16 X 1.25 ZP GR 5
4	712301	4	WASHER-FLAT 3/8 STANDARD
5	3400258	1	SCR-HEX,3/8-24X4.00
6	3307654P	1	RH SIDE BROOM MOUNT PNTD
	3309782	1	LH SIDE BROOM MOUNT PNTD (OPTIONAL)
7	3307527P	1	RH CURB BROOM ARM PNTD
	3309778	1	LH CURB BROOM ARM PNTD(OPTIONAL)
8	3307642	1	CLEVIS-5/16
9	3306179	2	SPRING-COMPRESSION, CURB BROOM
10	3400342	1	NUT-HEX 3/8-24 ES
11	3316897	1	MOTOR-HYD CURB BROOM
-	3321400	1	SEAL KIT FOR CURB BROOM MOTOR
12	675528	2	FTG-STR THD ELBOW -8 ORFS TO -10 SAE
13	3330338	1	KEY-SHAFT D-FOSS CB/MB/SC MTRS
14	713044	3	SCR-HEX,3/8-16x1.50
15	3400278	9	WASHER-FENDER 3/8
16	3300465	3	ISOLATOR-RUBBER (.375IDx.81OD)
17	3301262	1	PLATE-GIMBAL SC HD
18	3300526	3	BUMPER-RUBBER 1/4IDx1/8 THK
19	711546	3	WASHER-LOCK 3/8 SPLIT
20	3400068	3	NUT-HEX 3/8-16
21	3400049	1	SCR-SOCKET HEAD,1/4-20X0.75 NYLOCK
22	711544	1	WASHER-LOCK 1/4 SPLIT
23	3302058	1	BAR-CURB BROOM RETAINER
24	3300875	1	WELDMENT-DRIVE HUB SC BR
-	3307033	1	SUB-CURB BROOM

SIDE BROOM ASSEMBLY - ADJUSTMENT COMPONENTS



SIDE BROOM ASSEMBLY - ADJUSTMENT COMPONENTS			
ITEM	PART NO.	REQ'D	DESCRIPTION
1	3307861	1	WELDMENT-PULLEY MOUNT #3
2	3307865	1	WELDMENT-SAFETY ARM RETAINER/PULLEY MOUNT
3	3300368	3	PULLEY-PLASTIC ϕ 2", ϕ .25" GROOVE
4	3400404	1	SCR-SET,1/2-20X3.00
5	3400449	1	NUT-HEX JAM 1/2-20 (NOT SHOWN)
6	3307794	1	PIN-CLEVIS 1/2 X 4-1/2

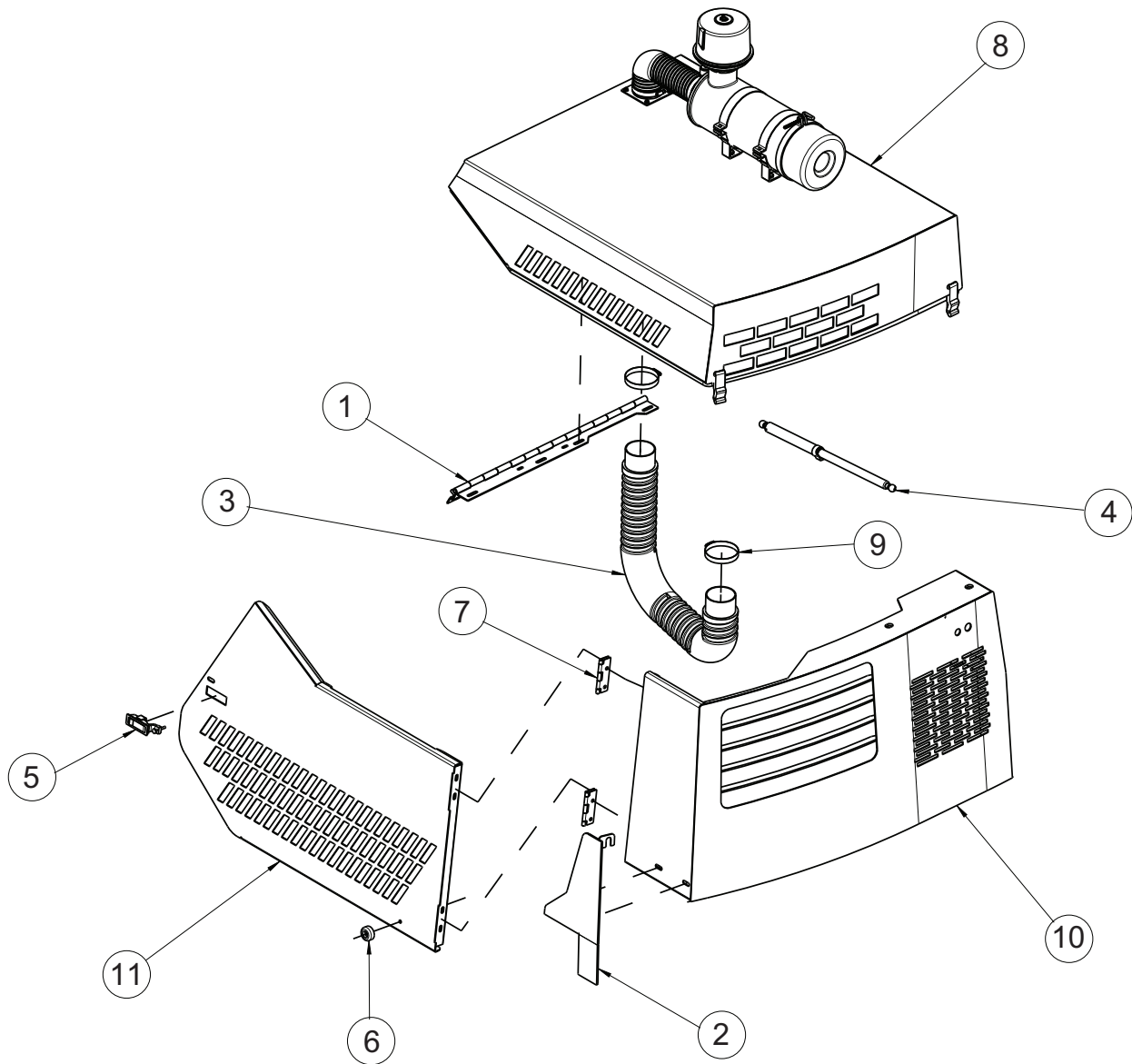
ENGINE COVER, SIDE DOOR, LATCH & REAR GRILL



ALL MODELS EXCEPT THE 10XT3DSL-US (UNITED STATES MODEL)

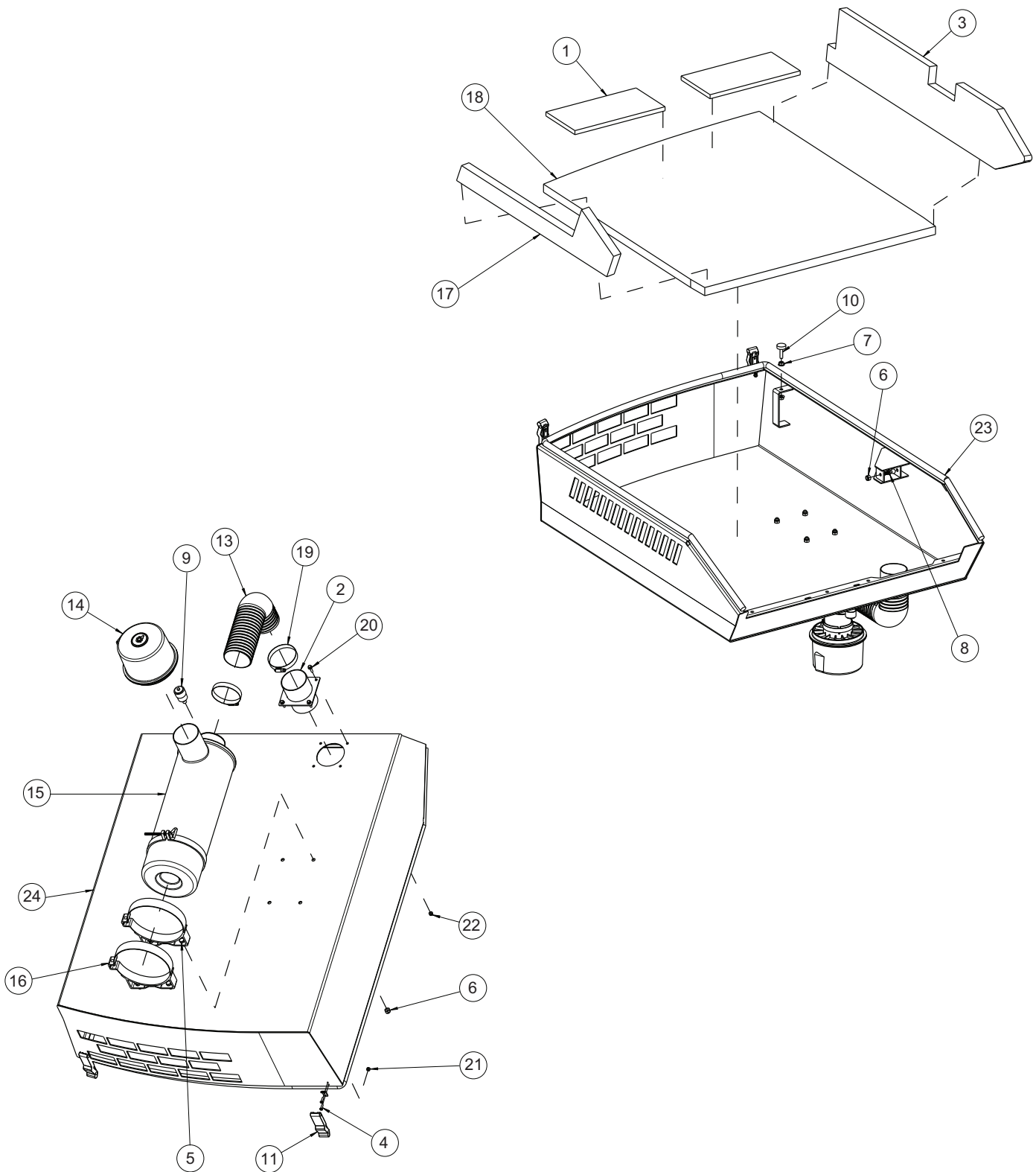
ENGINE COVER, SIDE DOOR, LATCH & REAR GRILL			
ITEM	PART NO.	REQ'D	DESCRIPTION
1	715049	1	STUD-BALL 13MM
2	3350189	1	HINGE-ENGINE COVER SW/10X
3	3350207	2	SPACER-HINGE ENG COVER SW/10X
4	3335489	1	CORNER GUARD SW/A PNTD
5	3307639	1	LEVELER-5/16-18x1.5", 1" DIA,
6	713011	1	SPRING-GAS 8" ST, 20" 250lb EXT W/LOCK
7	3307560	-	SPACER-METAL, 0.060" THK SIDE DOOR (USE AS REQUIRED)
8	3335826	1	ENGINE COVER 10X ORANGE
9	3335831	1	INSULATION - ENG COVER BACK 10X
10	3335767	1	INSULATION - ENG COVER LH
11	3307513	2	HINGE-SIDE DOOR
12	690130	1	INSULATION - ENG COVER RT
13	3335830	1	INSULATION-ENG COVER TOP 10X
14	3307719	2	LATCH-RUBBER SOFT
15	3302482	1	BUMPER-RUBBER, 1.5" DIA, 5/8 THK
16	711374	1	NUT-NYLOC 5/16-18 ZP
17	711379	1	NUT-FLANGED WIZZ 5/16-18 ZP
18	3307639	1	LEVELER-5/16-18x1.5", 1" DIA,
19	3500198	1	O' SEAL - TRIM
20	3338600	1	DOOR ,SIDE 10X ORANGE
21	3332418	1	RADIATOR GUARD 10X ORANGE
22	3300380	1	LATCH ASSY-#C2-10-301-50

ENGINE COVER, SIDE DOOR, LATCH & REAR GRILL (US MODEL)



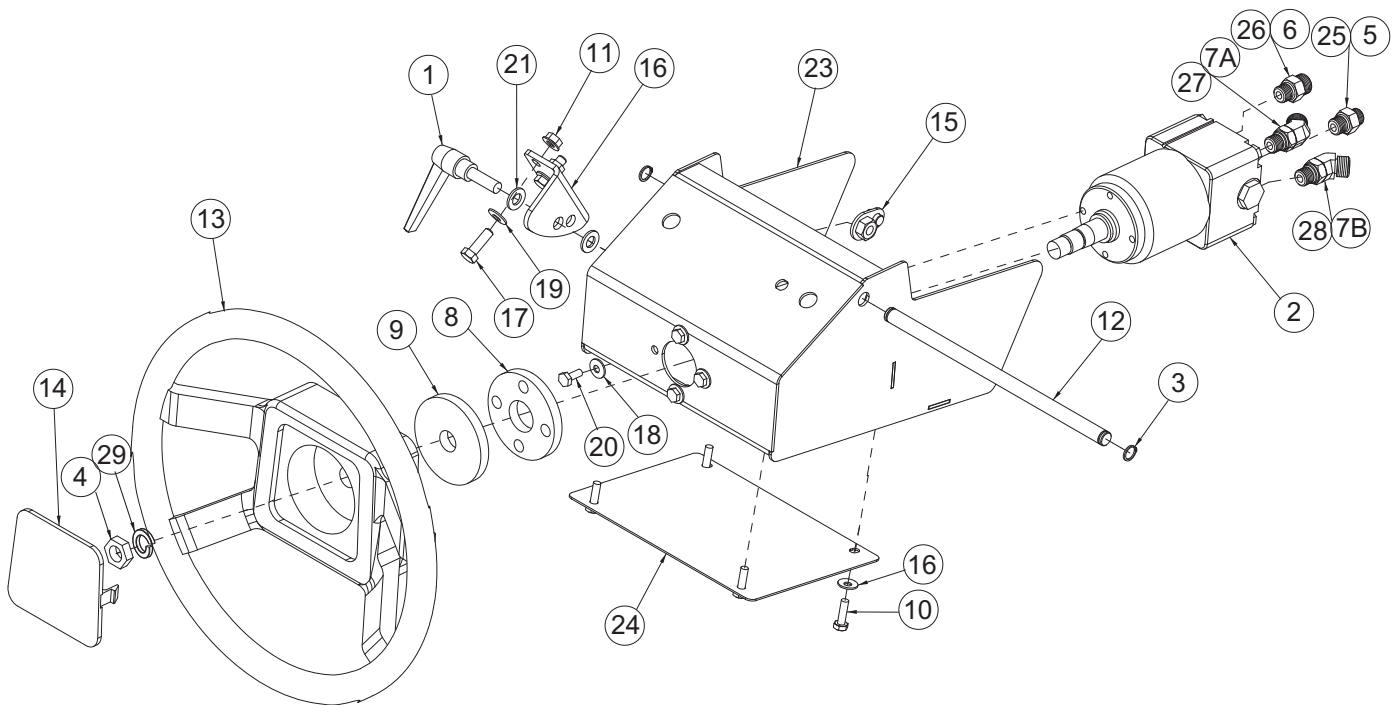
ENGINE COVER, SIDE DOOR, LATCH & REAR GRILL (US MODEL)			
ITEM	PART NO.	REQ'D	DESCRIPTION
1	650088	1	HINGE, FORMED ENG COVER, 10X
2	650096	1	WELDMENT, EXTENDED CORNER GUARD, 10X
3	650141	1	HOSE, CORRUGATED INTAKE
4	713011	1	SPRING-GAS 8" ST, 20" 250lb EXT W/LOCK
5	3300380	1	LATCH ASSY - C2-10-301-50
6	3302482	1	BUMPER-RUBBER, 1.5" DIA, 5/8 THK
7	3307513	2	HINGE-SIDE DOOR SW/A STAINLESS STEEL
8	3335825-US	1	ASSY- ENGINE COVER 10X ORANGE-US
9	3343273	2	CLAMP-HOSE 3.5
10	650054SOR	1	RADIATOR GUARD, 10X (ORANGE)
11	650090SOR	1	WELDMENT, EXTENDED SIDE DOOR, 10X ORANGE

ENGINE COVER (US MODEL)



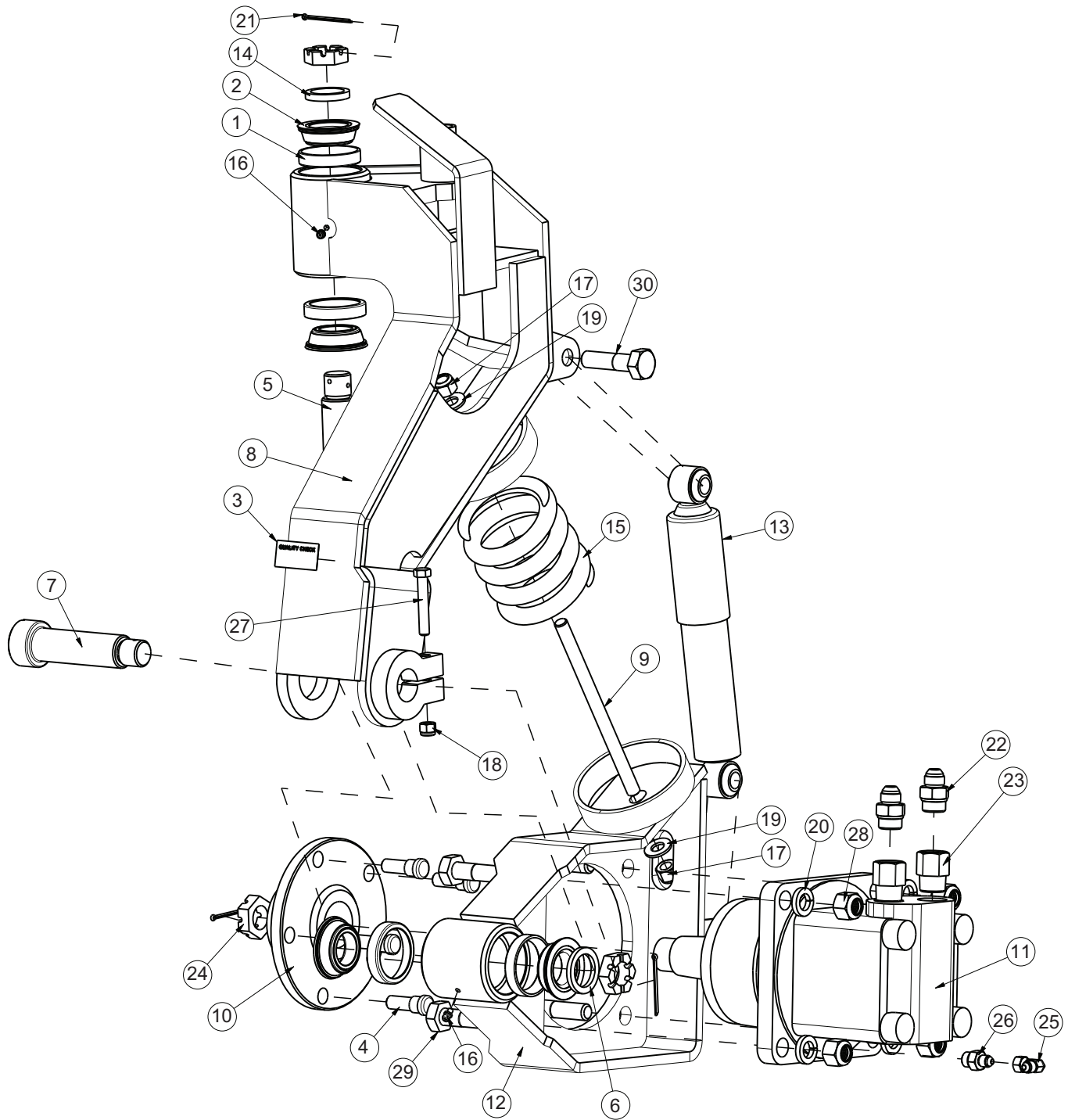
ENGINE COVER, SIDE DOOR, LATCH & REAR GRILL (US MODEL)			
ITEM	PART NO.	REQ'D	DESCRIPTION
1	650131	2	INSULATION-ENG COVER TOP SUPP 10X
2	650135	1	WELDMENT, AIR HOSE CONNECTOR 3" DIA
3	690130	1	INSULATION-ENG COVER RH - 9X
4	710230	4	SCR-PHMS 8-32 X .62 ZP
5	711228	4	SCR-HH 5/16-18 X .75 ZP GR 5
6	711374	5	NUT-NYLOC 5/16-18 ZP
7	711379	2	NUT-FLANGED WIZZ 5/16-18 ZP
8	715049	1	13MM BALL STUD
9	3303991	1	INDICATOR-AIR CLEANER RESTRICTION
10	3307639	1	LEVELER-5/16-18x1.5", 1" DIA,
11	3307719	2	LATCH-RUBBER SOFT
13	650283	1	HOSE-SQUEEGEE PICK-UP 3"
14	3331035	1	AIR CLEANER-TURBO 3 MODEL HEAVY DUTY
15	3331036	1	AIR CLEANER-HEAVY DUTY(METAL)
***	650301	**	ELEMENT-AIR CLNR/D1803 PRIMARY (SERVICE)
***	650302	**	ELEMENT-AIR CLNR/D1803 SAFETY (SERVICE)
16	3331037	2	CLAMP-HD AIR CLEANER
17	3335767	1	INSULATION-ENG COVER LH 9X
18	3335830	1	INSULATION-ENG COVER TOP 10X
19	3343273	2	CLAMP-HOSE 3.5
20	3400044	4	SCR-HH 10-32 X .75 ZP SERR FLANGE
21	711372	4	NUT-NYLOC 8-32 ZP
22	711350	4	NUT-JAM 10-32 ZP NYLOC
23	3500198	10	SEAL-TRIM 90 DEG. MOUNT
24	650082SOR	1	ENGINE COVER, 10X (ORANGE)

HYDRAULIC HOSES, STEERING UNIT & COLUMN



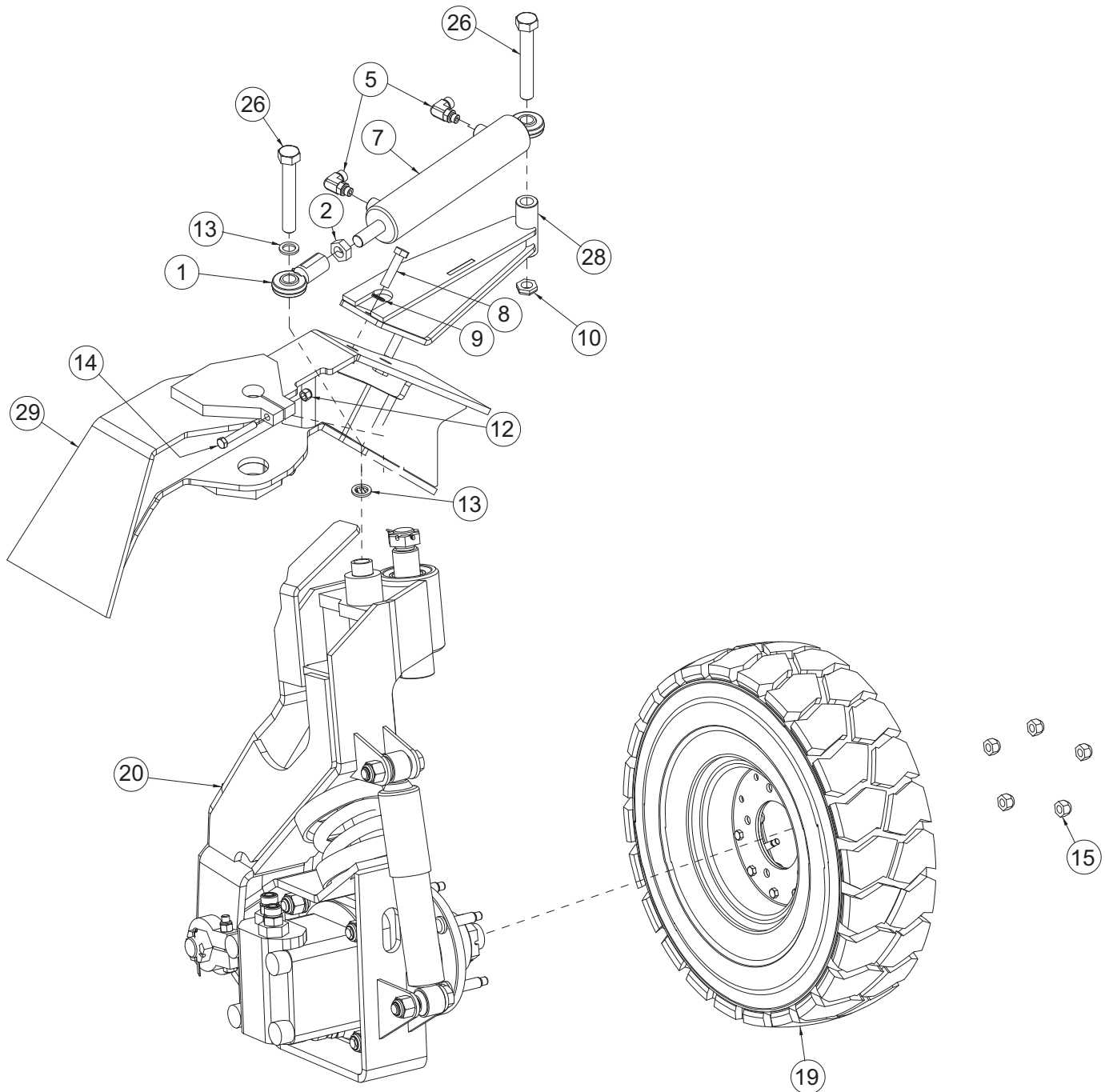
STEERING COLUMN			
ITEM	PART NO.	REQ'D	DESCRIPTION
1	600260	1	KNOB, LEVER
2	600368	1	STEERING UNIT
3	600569	2	RETAINING RING, EXT .50 HD
4	620057	1	NUT, JAM M16-1.50 STL ZP
5	675511	1	FTG-STR THD CONNECTOR -4 ORFS TO -6 SA
6	675515	1	FTG-STR THD CONNECTOR -6 ORFS TO -6 SA
7A	675552	1	FTG-STR THD 45 -6 ORFS TO -6 SAE
7B	675552	1	FTG-STR THD 45 -6 ORFS TO -6 SAE
8	690152	1	DUST RING, STEERING
9	690160	1	DUST RING, STEERING, UPPER
10	711206	4	BLT-HH 1/4-20 X .87 STL ZINC
11	711379	2	NUT-FLANGED WIZZ 5/16-18
12	750075	1	SHAFT - TILT STEERING PIVOT
13	610000	1	STEERING WHEEL
14	610001	1	STEERING WHEEL COVER
**	610003	1	STEERING WHEEL KNOB (NOT SHOWN)
15	3338622	1	WDT - TILT STEERING LOCK
16	3338625	1	BRKT - TILT STEERING
17	3400035	2	SCR-HEX,5/16-18X1.00 ZP
18	3400383	8	WASHER-CONICAL SPRING 1/4
19	3400384	2	WASHER-CONICAL SPRING 5/16
20	11038072	4	BOLT, M6-100 X 16H
21	12310058	2	WSR-FLT M10.5 X 20 X 2 STL 140HV ZD DIN
23	3338616P	1	WDT - AM9D TILT STEERING BOX
24	3338621P	1	COVER - PLT, TILT STEERING, AM9D
25	675665	1	10X AUX PUMP TO STEERING P PORT
26	675646	1	10X STEERING GEAR TO RESV
27	675650	1	10X STEERING GEAR TO STEERING CYL PISTON
28	675662	1	10X STEERING GEAR TO STEERING CYL ROD EN
29	712315	1	WASHER-LOCK 5/8 SPLIT ZP

POWERFLEX



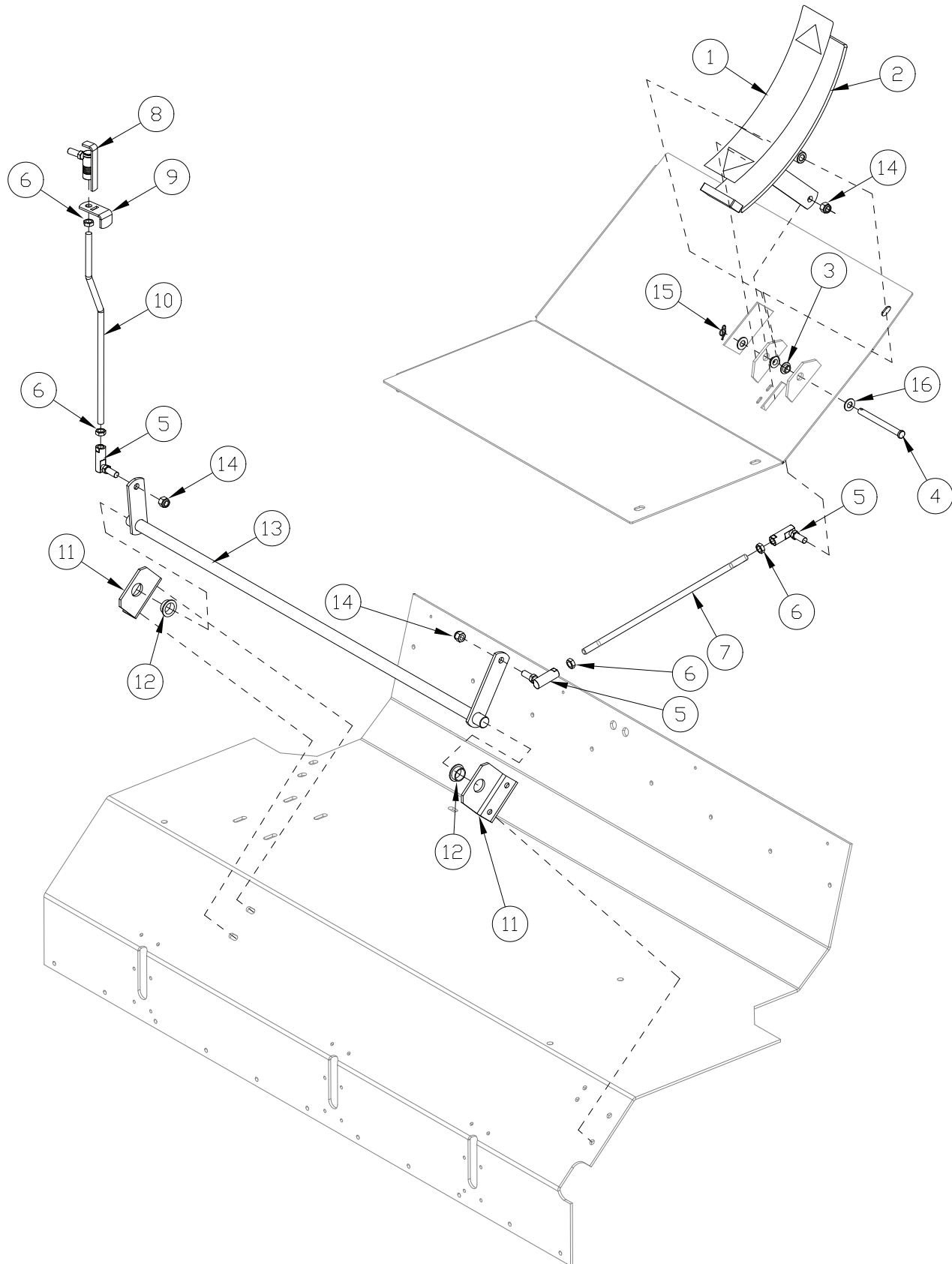
POWERFLEX			
ITEM	PART NO.	REQ'D	DESCRIPTION
1	3300470	4	BEARING-TAPERED ROL CUP
2	3300471	4	BEARING-TAPERED ROLCONE W/SEAL
4	3307348	5	STUD - WHEEL, 1/2-20X 1.63 (REAR SW/A)
5	3307349P	1	PIN - REAR FORK SW/A
6	3309594	1	SPACER-POWERFLEX PLTD
7	3309790	1	PIN-KNEE POWERFLEX FABRICATED
8	3316888	1	WELDMENT - STEERING FORK
9	3319410	1	ROD-TENSION POWER FLEX
10	3321150	1	HUB-REAR ARMA OMTW SERIES
11	3321151	1	MOTOR-DRIVE ARMA OMTW SERIES
-	3321159	1	KIT/FLD-SEAL KIT WHEEL MOTOR
12	3321170	1	MNT-MOTOR P-FLEX 10X
13	3321176	1	SHOCK ABSORBER-POWER FLEX
14	3337860	1	SPACER-STEERING FORK
15	3350209	1	SPRING-POWER FLEX ARMA
16	3400012	2	FTG-GREASE 3/16 DRIVE
17	711376	2	NUT-NYLOC 1/2-13 ZP
18	711380	1	NUT-NYLOC 3/8-16 ZP
19	3400086	2	WASHER-FLAT 1/2 STANDARD ZP
20	712315	4	WASHER-LOCK 5/8 SPLIT ZP
21	3400122	2	COTTER PIN 1/8 X 2
22	675524	2	FTG-ORFS STR THD -8 -8 SAE
23	3400167	2	FTG-ADAPTER 1 1/6-12 EXT TO
24	3400223	2	NUT-SLOTTED, 1-20UNEF
25	675739	1	FTG-ORFS 90 ELBOW SWIVEL NUT -4 -4 SAE
26	675511	1	FTG-ORFS STR THD -4 -6 SAE
27	3400339	1	SCR-HEX 3/8-16 X 2.25
28	3400483	6	NUT-NYLON LK 5/8-11
29	3400485	6	SCR - HHM 5/8 - 11 X 2.5 ZP
30	713601	2	SCR-HH 5/8-11 X 2.75 ZP YEL GR 8

REAR DRIVE ASSEMBLY



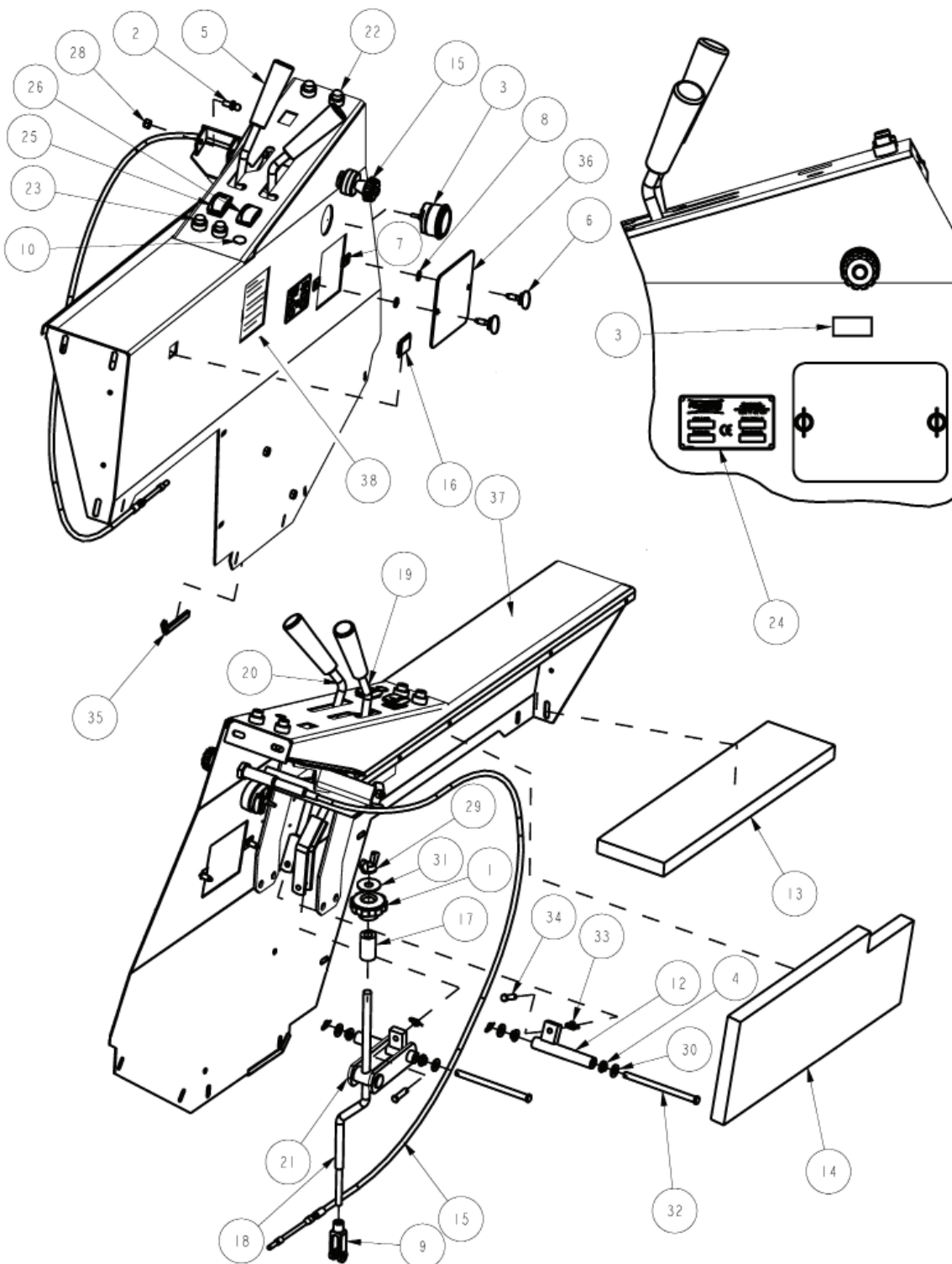
REAR DRIVE ASSEMBLY			
ITEM	PART NO.	REQ'D	DESCRIPTION
1	600178	1	ROD END FEM 3/4-16 W/ZERK
2	600939	1	NUT-JAM 3/4-16 ZP GR 5
5	675518	2	FTG-ORFS 90 ELBOW -6 -5 SAE
7	690025	1	CYLINDER-STEERING AM9D
8	713610	2	SCR-HH 1/2-13 X 1.75 EG GR 8
9	710121	2	WASHER-NORD-LOCK, 1/2 CARBON STEEL(2PCS)
10	710122	2	NUT-JAM NYLOC 3/4-10 ZP
12	711380	2	NUT-NYLOC 3/8-16 ZP
13	712318	2	WASHER-FLAT 3/4 X 1.12 X .12 ZP
14	713048	2	SCR-HH 3/8-16 X 2.50 ZP GR 5
15	3300411	5	NUT-WHEEL LUG, 1/2-20 X 5/8 60 DEGREE UN
19	3307021	1	ASSY-TIRE REAR PNEUMAT 9X/10X
20	888315	1	ASSY- POWERFLEX
26	3400422	2	SCR-HH 3/4-10 X 5.00 ZP GR 8
28	3317370P	1	WDT-CYL STEERING MOUNT, AM9D
29	REF		FRAME

DIRECTIONAL CONTROL LINKAGE ASSEMBLY



DIRECTIONAL CONTROL LINKAGE ASSEMBLY			
ITEM	PART NO.	REQ'D	DESCRIPTION
1	3335609	1	PAD-FOOT PEDAL
2	3337390	1	PEDAL - FWD/REV, ARMADILLO 1-PC
3	3300414	2	BUSHING-PLASTIC FLANGED, .375 ID X .50 OD
4	3400114	1	PIN-CLEVIS, 3/8x4
5	3300461	2	BALL JOINT-3/8-24
6	3400075	4	NUT-JAM, 3/8-24
7	3307222	1	ROD-DIRECTIONAL CONTROL, DIESEL
8	3307611	1	QUICK RELEASE- FWD/REV
9	3307613	1	HANDLE-QUICK RELEASE
10	3307938	1	ROD-DIRECTIONAL CONTROL DIESEL
	3307221	1	ROD-DIRECTIONAL CONTROL GAS/LP
11	3307223	2	MOUNT-DIRECTIONAL CONTROL
12	3307220	2	BUSHING-PLASTIC FLANGED,
13	3350188	1	DIRECTIONAL TORQUE TUBE
14	3400342	4	NUT-HEX 3/8-24 ES ZP
15	3400125	1	PIN-COTTER 3/8 RUE-RING
16	712301	1	WASHER-FLAT 3/8 STANDARD ZP
16	712301	1	WASHER-FLAT 3/8 STANDARD ZP

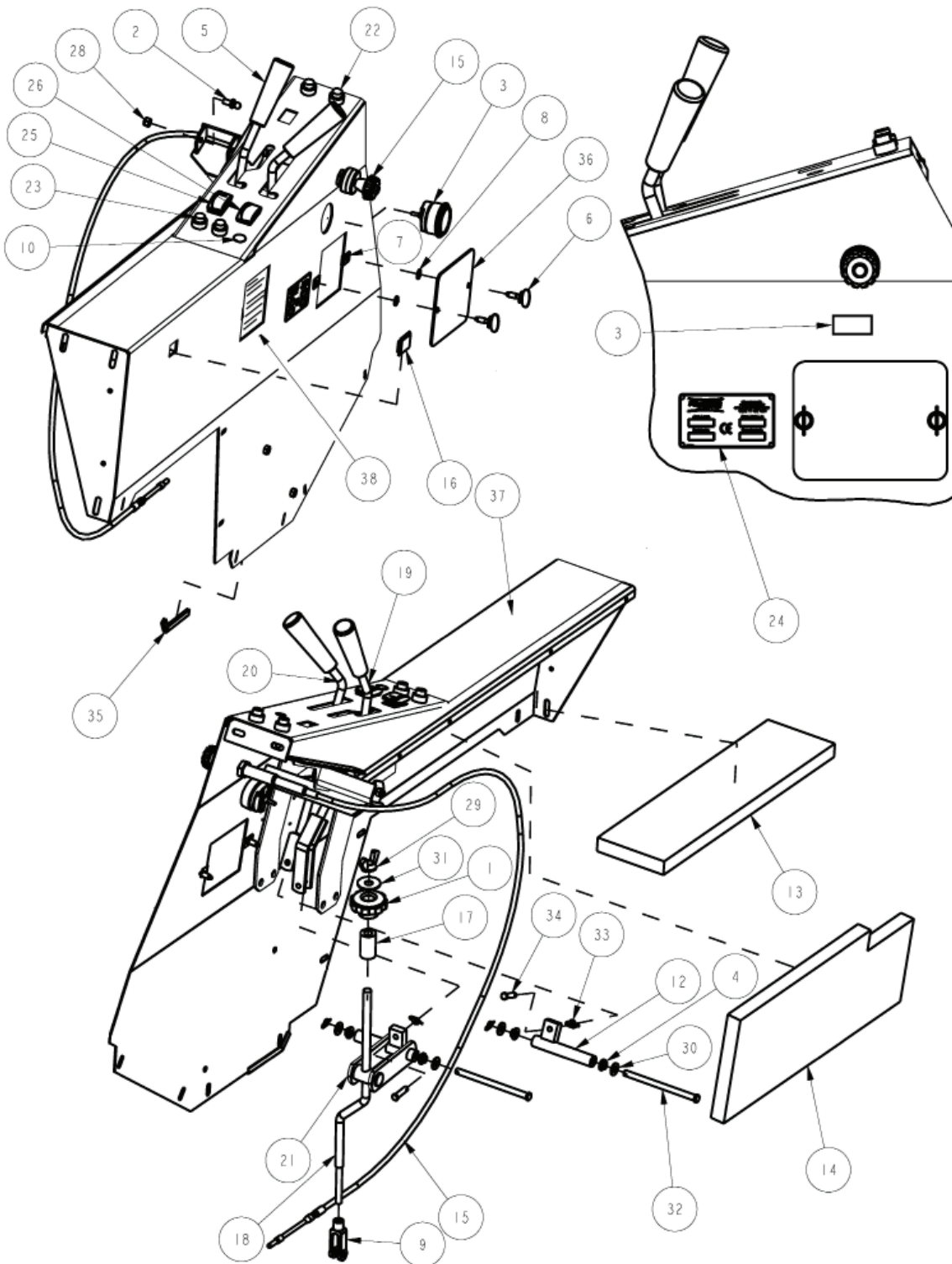
CONSOLE ASSEMBLY



ALL MODELS EXCEPT THE 10XT3DSL-US (UNITED STATES MODEL)

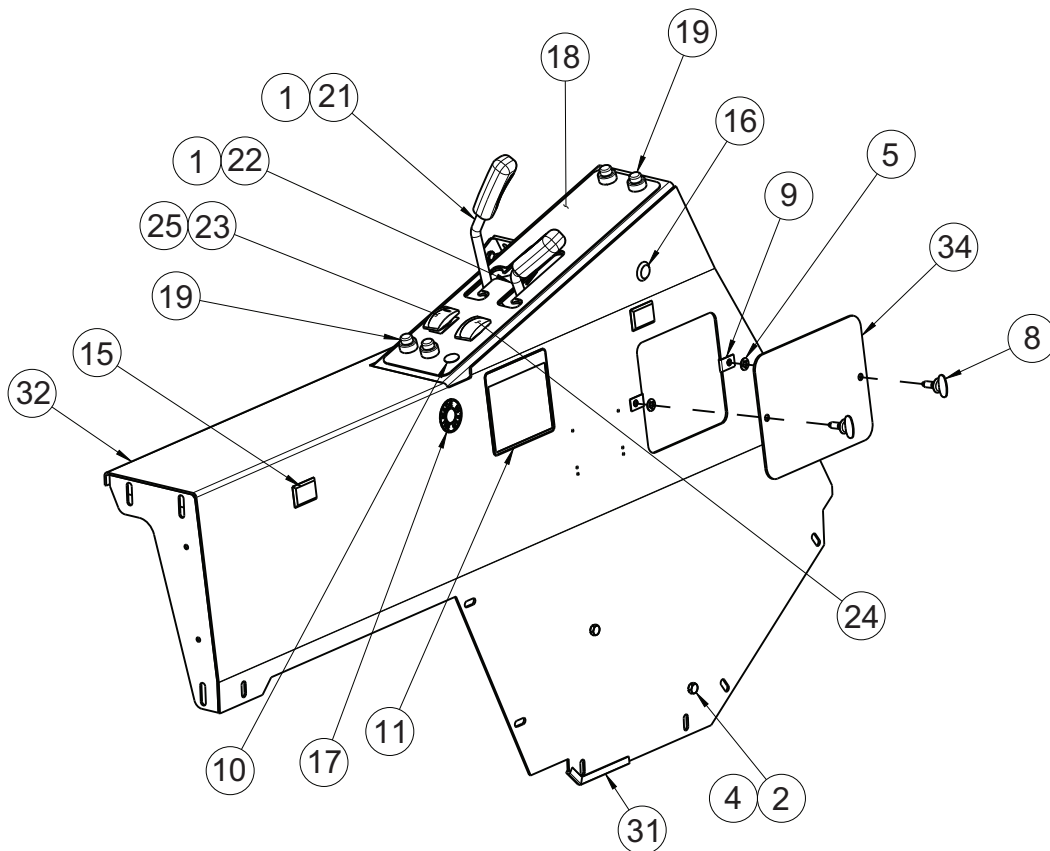
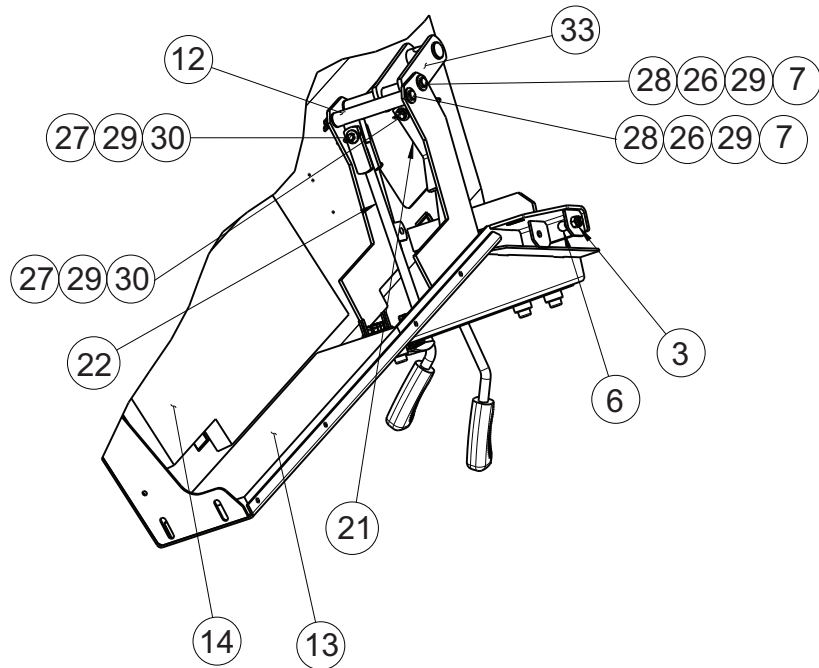
CONSOLE ASSEMBLY			
ITEM	PART NO.	REQ'D	DESCRIPTION
1	3300352	1	KNOB-MB LIFT ADJ.
2	715049	1	13MM BALL STUD
3	3336094	1	GAUGE-HOUR METER, DIGITAL, SNAP
4	3300414	4	BUSHING-PLASTIC 3/8IDx1/2OD
5	600264	2	HANDLE CONTURED
6	3301147	2	SCR-5/16 ACME THD, WING HEAD,
7	3301155	2	CLIPNUT-5/16-18
8	3301156	2	RETAINER-CAPTIVE SCREW
9	3301447	1	CLEVIS WITH PIN AND COTTER
10	3301669	1	PLUG-PLASTIC, 11/16 DIA
11	3305398	2	CLAMP-HYD HOSE, PLATED
12	3307614	1	WELD-PIVOT SB LIFT
13	3307846	1	INSULATION-CONSOLE TOP
14	3307847	1	INSULATION-DRIVER COMP SIDE
15	3337966	1	CABLE-THROTTLE (Diesel Only)
16	3323529	1	PLUG-CARLING CONTURA SWITCH
17	3333672	1	SPACER-MB LIFT ROD
18	3334984	1	ROD-MAIN BROOM, LOWER
19	3338296	1	WELD-ROD, MAIN BROOM, UPPER
20	3338297	1	WELD-ROD, SIDE BROOM, UPPER
21	3335112P	1	WELD-LIFT ARM, MAIN BROOM,
22	3335320	1	RTR INDICATOR LIGHTS
23	3335703	1	ASSY-LIGHTS (DSL)
	3335321		ASSY- LIGHTS (GAS/LPG)
24	715731	1	ID PLATE-SERIAL # INFO
25	3342273	1	HEADLIGHT SWITCH
26	3343912	1	GLOW PLUG SWITCH (DSL ONLY)
27	3400033	2	SCR-HEX,5/16-18X1.50
28	711374	2	NUT-HEX 5/16-18
29	3400084	1	NUT-WING 1/2-13
30	712301	4	WASHER-FLAT 3/8 STANDARD
31	3400091	1	WASHER-FENDER 1/2 ZP

CONSOLE ASSEMBLY (CONTINUED)



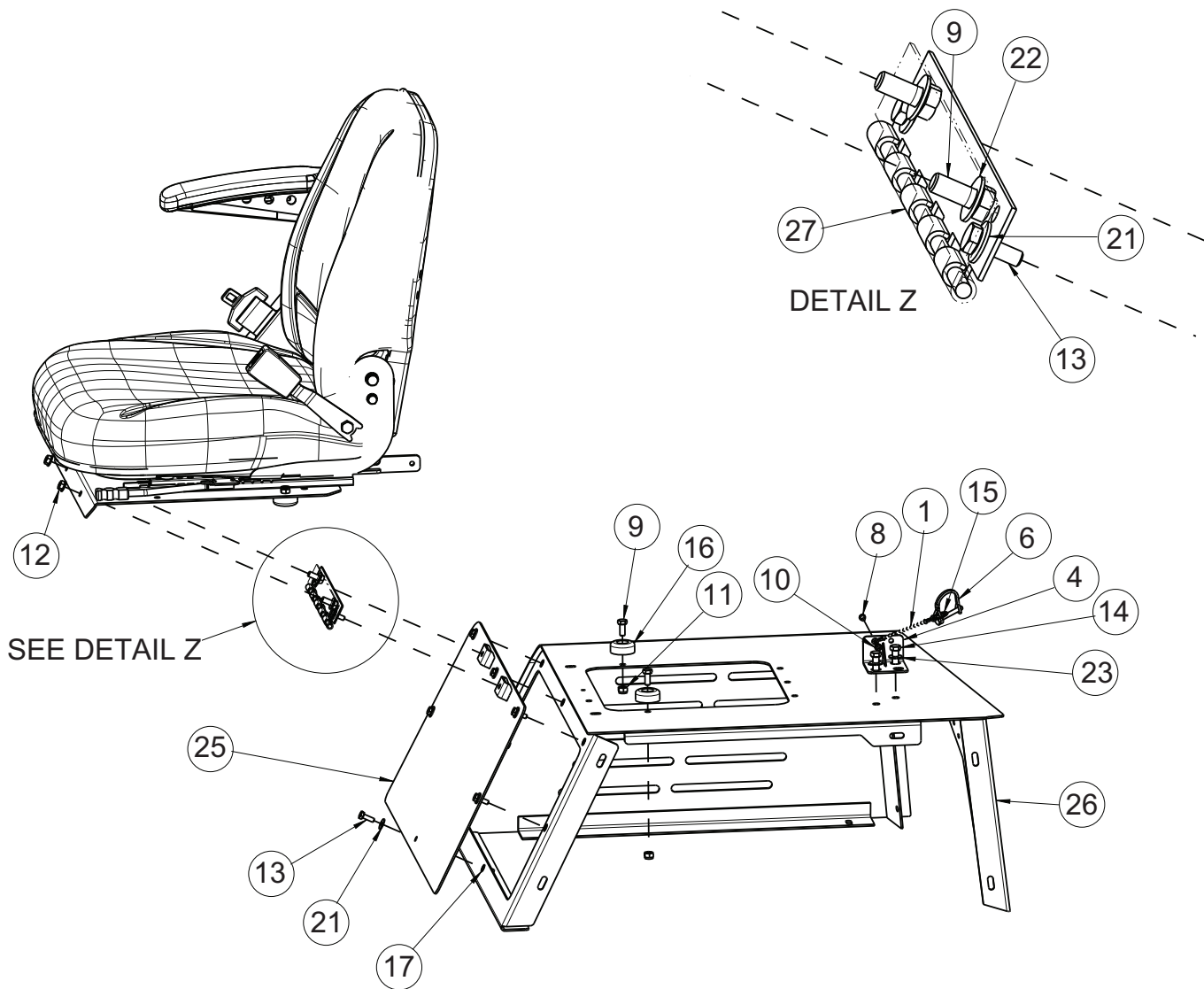
CONSOLE ASSEMBLY			
ITEM	PART NO.	REQ'D	DESCRIPTION
32	3400113	2	PIN-CLEVIS 3/8x5-1/2 ZP
33	3400125	4	PIN-COTTER 3/8 RUE-RING
34	3400185	2	PIN-CLEVIS 5/16x1-1/4
35	3500118	1'	EDGING-VINYL TRIM 1/8" (PER FOOT)
36	650150SOR	1	COVER BROOM ADJ.
37	3335003M	1	WELD-CONSOLE, DRIVER SIDE,
38	3334982	1	DECAL-CONSOLE, 10X GAS/LPG
	3335602		DECAL-CONSOLE, 10X DIESEL

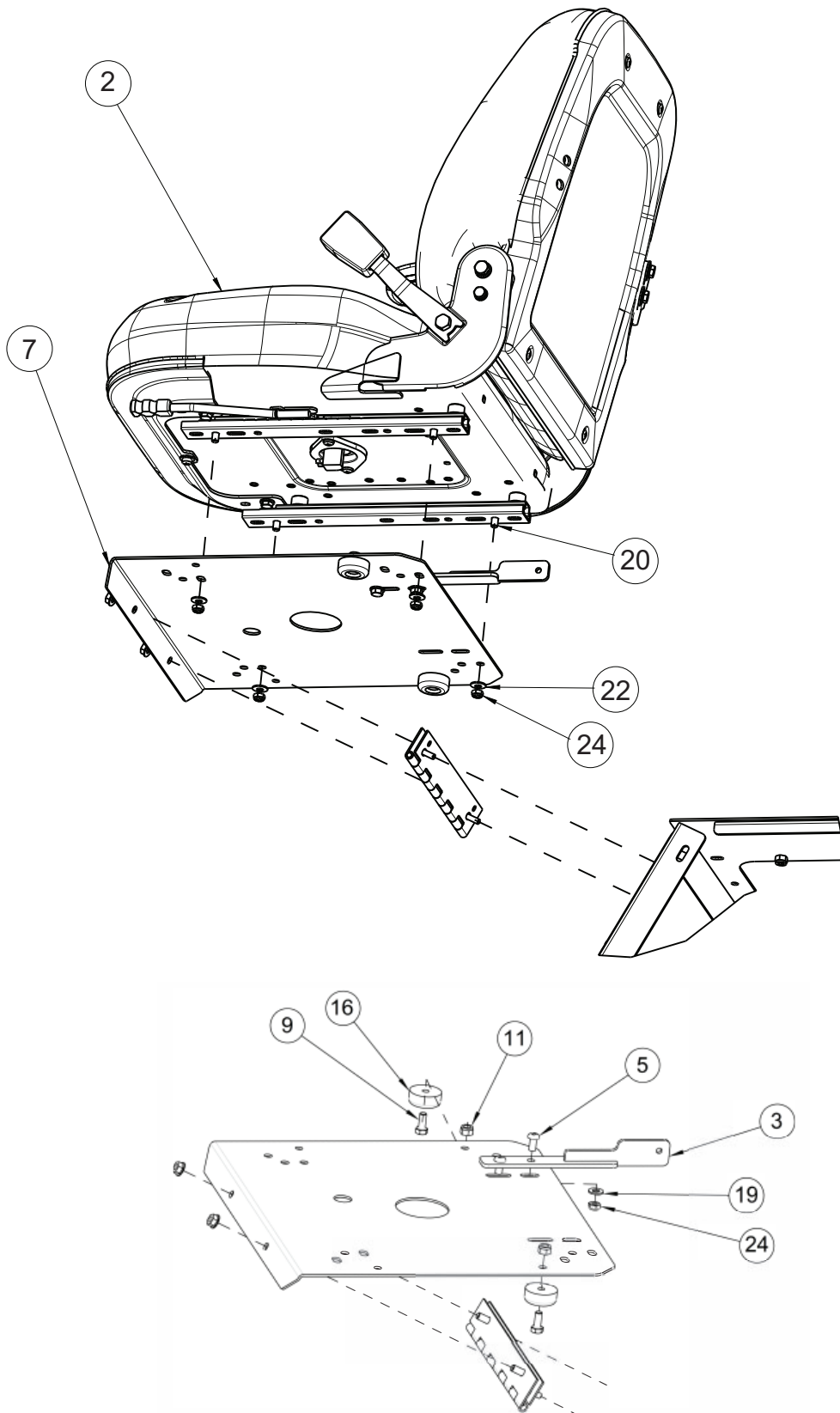
CONSOLE ASSEMBLY (US MODEL)



CONSOLE ASSEMBLY (US MODEL)			
ITEM	PART NO.	REQ'D	DESCRIPTION
1	600264	2	HANDLE CONTURED
2	711228	2	SCR-HH 5/16-18 X .75 ZP GR 5
3	711374	1	NUT-NYLOC 5/16-18 ZP
4	711379	2	NUT-FLANGED WIZZ 5/16-18 ZP
5	711744	2	NUT-PUSH RETAINER 5/16 ZP
6	715049	1	13MM BALL STUD
7	3300414	4	BUSHING-PLASTIC 3/8IDx1/2OD
8	3301147	2	BLT-WING5/16 ACME THD, WING HEAD, ZP
9	3301155	2	CLIPNUT-5/16-18 ZP
10	3301669	1	PLUG-PLASTIC, 11/16 DIA
11	3301854	1	DECAL-CAUTION, 5x4.50"
12	3307614	1	PIVOT SB LIFT
13	3307846	1	INSULATION-CONSOLE TOP
14	3307847	1	INSULATION-DRIVER COMP SIDE
15	3323529	2	PLUG-CARLING CONTURA SWITCH
16	3330356	1	PLUG-PLASTIC HOLE, 3/4, 7 GA
17	715084	1	DECAL-MADE IN USA LEXAN, 1.75 DIA
18	3334982	1	DECAL-CONSOLE, 9X
19	3335320	2	ASSY- LIGHTS, RTR INDICATOR, 9X TIER 2
21	3338296	1	WELD-ROD,MAIN BROOM, UPPER, 9X,ZP
22	3338297	1	WELD-ROD,SIDE BROOM, UPPER, 9X,ZP
23	3342273	1	COVER-SWITCH, CARLING, BLACK W/LENS
24	3342703	1	SWITCH-ROCKER, DPDT CONTURA NO LENS
25	3342705	1	SWITCH-BASE, DPST CONTURA ROCKER
26	712301	4	WASHER-FLAT 3/8 ZP
27	711506	2	WASHER-FLAT 5/16 X.688 X .065 ZP
28	3400113	2	PIN-CLEVIS 3/8x5-1/2 ZP
29	3400125	4	RING-RUE 3/8
30	3400185	2	PIN-CLEVIS 5/16x1-1/4 ZP
31	3500118	6 FT	EDGING-VINYL TRIM 1/8" X 250'
32	3335003M	1	CONSOLE AM9D, ORANGE
33	3335112P	1	LIFT ARM, MAIN BROOM, AM9D
34	650150SOR	1	COVER-BROOM ADJ. (ORANGE)

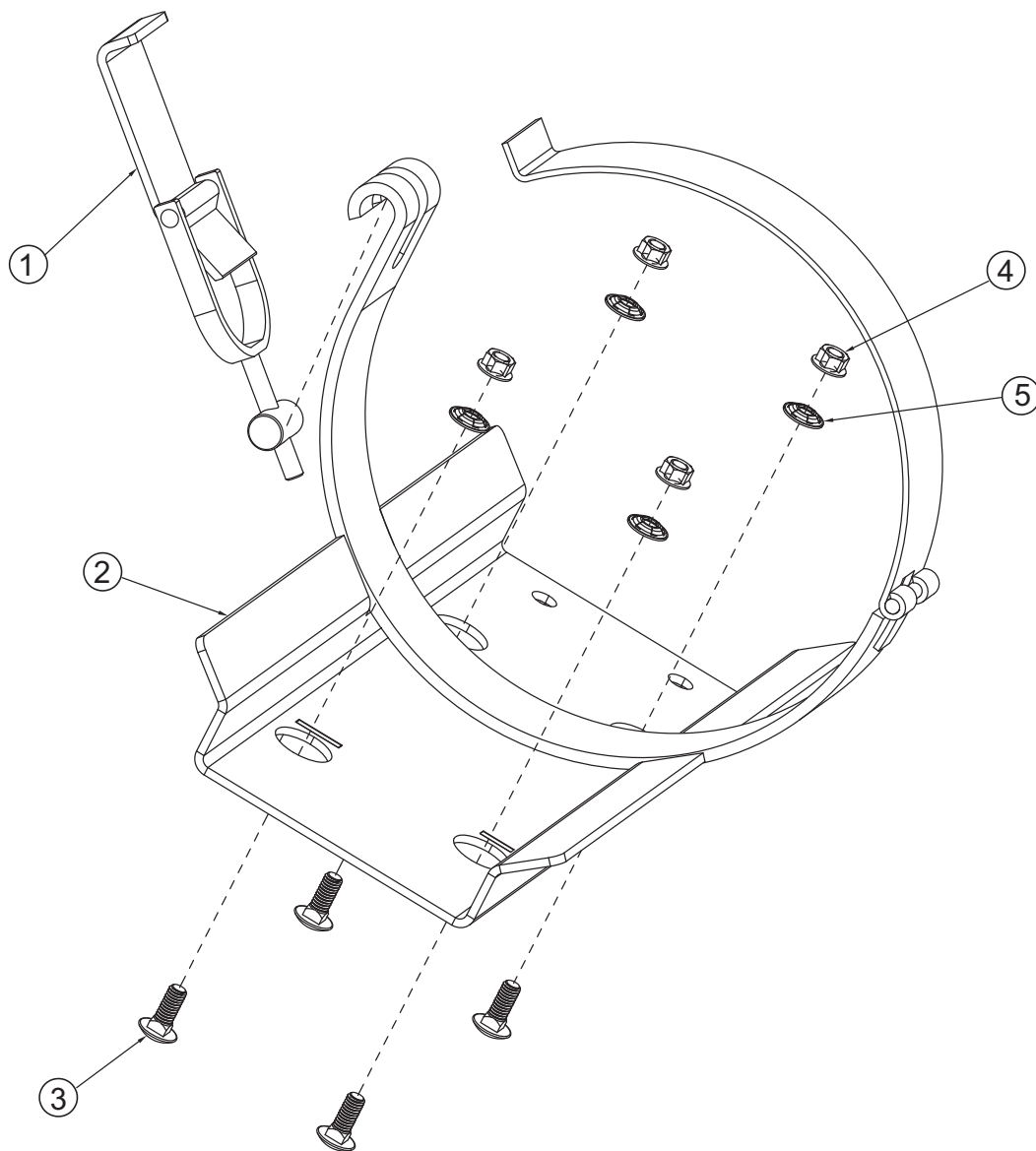
SEAT, FLOOR PAN & TAIL LIGHT





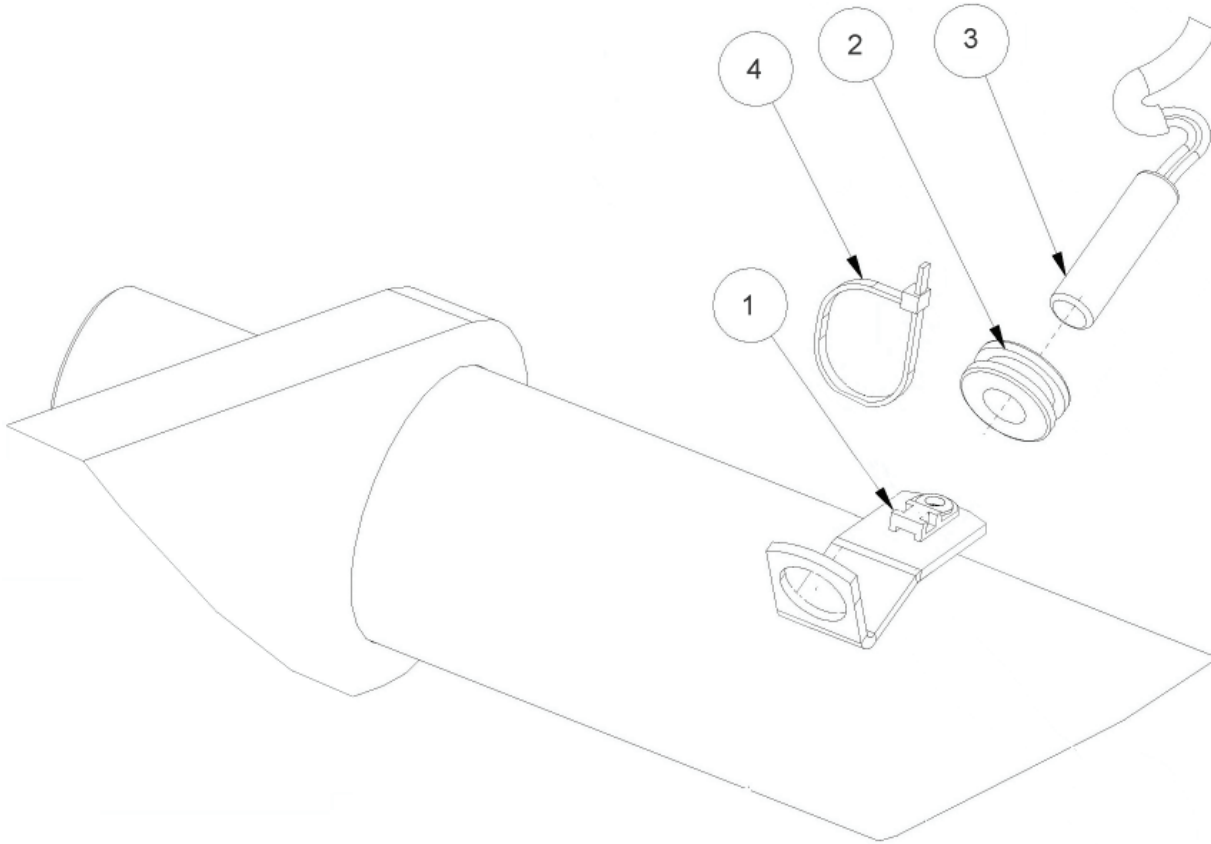
SEAT, FLOOR PAN & TAIL LIGHT			
ITEM	PART NO.	REQ'D	DESCRIPTION
1	283197	1	CHAIN, BEADED SS W/ EYELETS
2	623000	1	SEAT, STANDARD W/SEAT BELT, RH
3	690762	1	WELDMENT, SEAT LATCH ARM, 9X
4	690765	1	WELDMENT, SEAT LATCH, 9X
5	3401061	1	SCR-BHSCS 5/16-18 X .625 SS
6	690780	1	PIN, 1/4" DIA X 1-1/8", LOCK RETAINER
7	690830	1	MNT-SEAT AM9D/9X
8	710355	1	SCR-RHMS 10-32 X .50 ZP
9	711228	6	SCR-HH 5/16-18 X .75 ZP GR 5
10	711350	1	NUT-NYLOC 10-32 ZP
11	711374	6	NUT-NYLOC 5/16-18 ZP
12	711379	2	NUT-FLANGED WIZZ 5/16-18 ZP
13	713002	8	SCR-HH 1/4-20 X .75 ZP 5
14	713042	2	SCR-HH 3/8-16 X 1.00 ZP GR 5
15	760142	1	RING-SPLIT, 0.97 OD, 0.802 ID, 0.110 THK
16	3302482	4	BUMPER-RUBBER, 1.5" DIA, 5/8 THK
17	3322188	6	INSERT-1/4-20 UNC THRDED, GRIP .165-.260
18	3400035	2	SCR-HH 5/16-18 X 1.00 ZP GR 5
19	711506	4	WASHER-FLAT 5/16 X.688 X .065 ZP
20	3400207	4	SCR-HH 5/16-18 X 0.50 ZP GR 5
21	3400383	8	WASHER-CONICAL SPRING 1/4
22	3400384	6	WASHER-CONICAL SPRING 5/16
23	3400385	2	WASHER-CONICAL SPRING 3/8
24	3401098	4	NUT-JAM 5/16-18 ZP NYLOC
25	3333733P	1	PLATE-ACCESS SEAT CLIP, 9X/10X
26	3335027M	1	CLIP, SEAT AM9D , DARK GRAY
	650068	1	CLIP, SEAT - 10X EXTENDED - US MODEL ONLY
27	3335033P	1	HINGE-UNIVERSAL SEAT MNT, AM9D
	3307587	1	FLOOR MAT-SMALL (NOT SHOWN)
	3307588	1	FLOOR MAT-LARGE (NOT SHOWN)
	3337387P	1	FLOOR BOARD - UPPER (NOT SHOWN)
	3337388P	1	FLOOR BOARD - LOWER (NOT SHOWN)

LP MOUNT ASSEMBLY



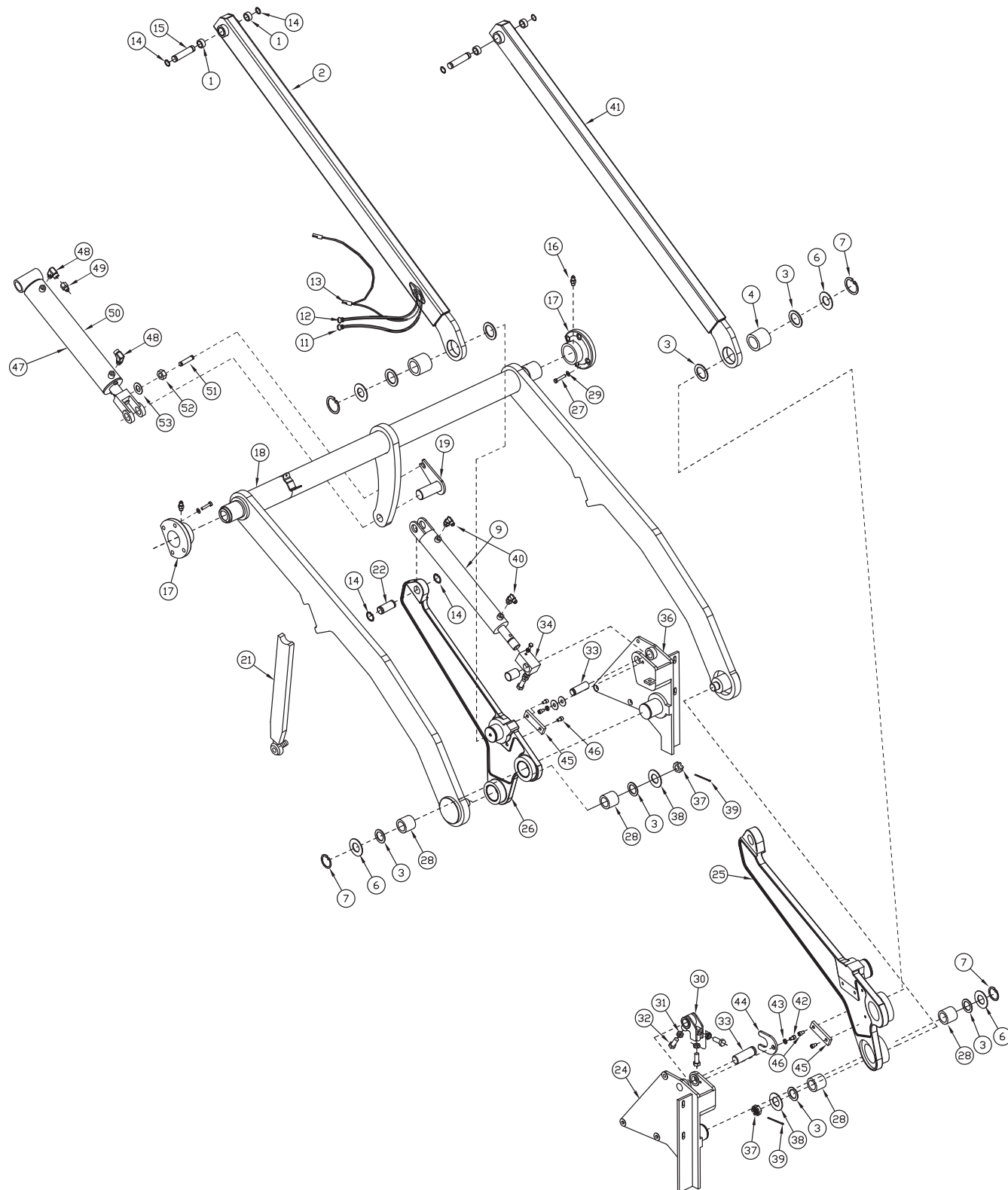
LP MOUNT ASSEMBLY			
ITEM	PART NO.	REQ'D	DESCRIPTION
1	220131	1	BUCKLE
2	690157	1	ASSY, LPG TANK MOUNT - 9X
3	711253	4	BLT-CARR 3/8-16 X 1.00 ZP GR 5
4	3400392	4	NUT-FLANGED WIZZ 3/8-16 ZP
5	3316981	4	NUT-PUSH RETAINER 3/8 BOLT, 25/32 OD ZP
**	3335376	1	HOSE - 5/16 LP 90.0 SAE 45 ST#6 ST#6 (NOT SHOWN)
**	675629	1	HOSE, 3/8 AR 34.5 JIC 45 ST#6 ST#6 (NOT SHOWN)

RTR SWITCH DETAIL LIFT ARM



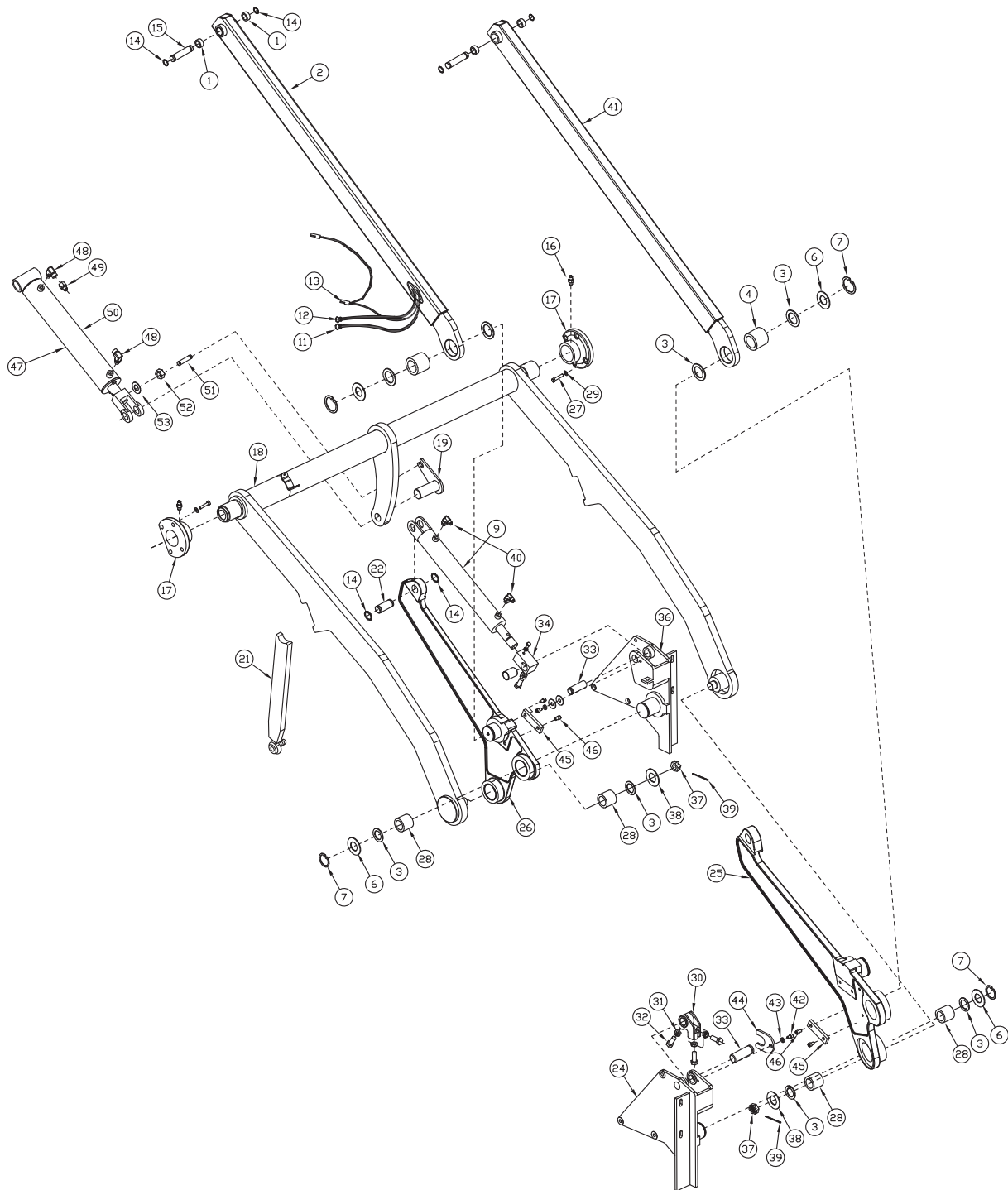
RTR SWITCH DETAIL LIFT ARM			
ITEM	PART NO.	REQ'D	DESCRIPTION
1	3302472	1	MOUNT-WIRE TIE LOW PROFILE
2	3311564	1	GROMMET-RUBBER, 1/2 ID
3	749146	1	HARNESS - LIFT ARM, ARMA TIER II
4	828062-B	1	TIE-WIRE BLACK

LIFT & ROTATION CYLINDERS, HYDRAULIC HOSES



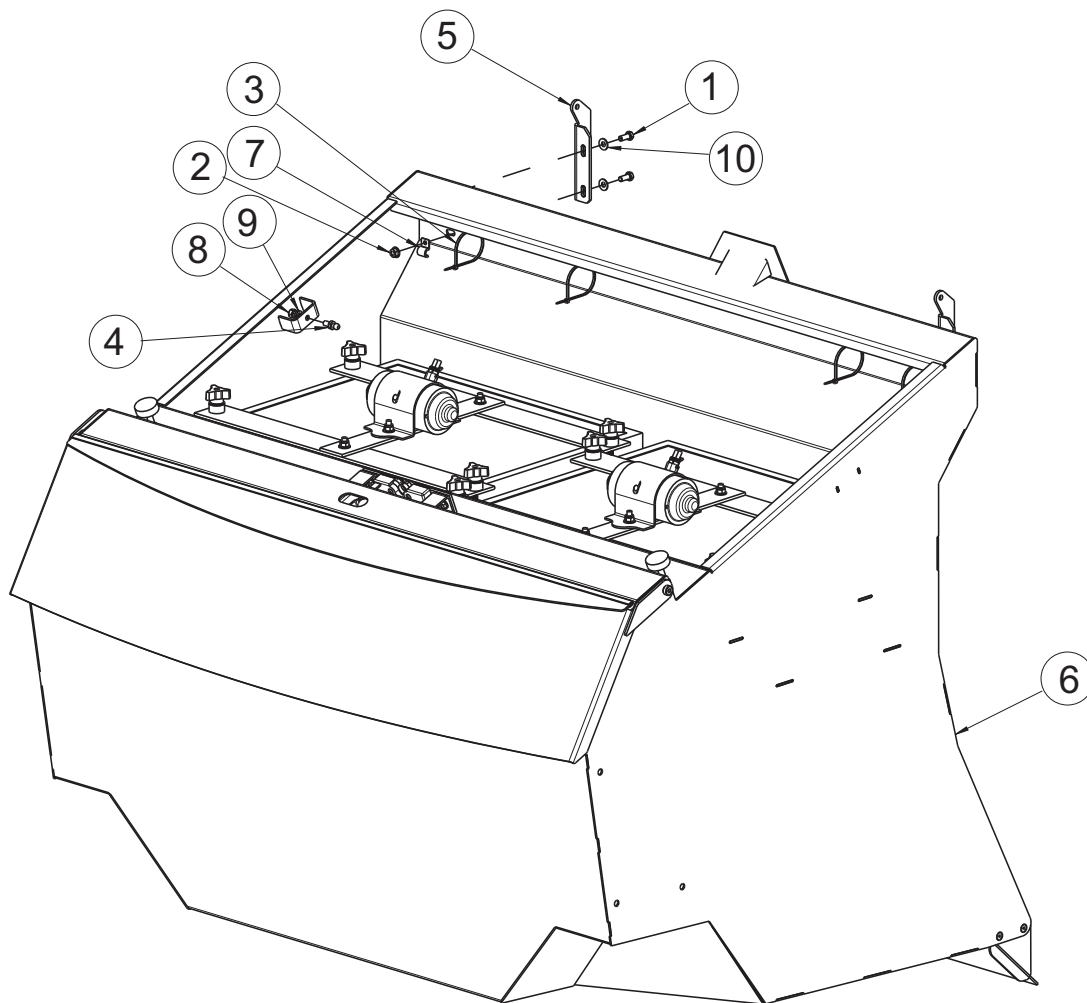
LIFT & ROTATION CYLINDERS, HYDRAULIC HOSES			
ITEM	PART NO.	REQ'D	DESCRIPTION
1	3300837	4	BEARING-1.12 ODx1.00 IDx.75
2	3334551P	1	LIFT ARM-UPPER RH 9X
3	3400177	8	BEARING-THRUST 2.06 IDx3.25 OD
4	3300836	2	BEARING-2.18 ODx2.00 IDx.75
6	3300882	4	WASHER-HD 3.25 ODx2.00 ID
7	3301709	4	RING-RETAINING, EXT 2.00 DIA
9	3316890	1	CYLINDER-HYD, ROTATION HOPPER LIFT
11	675649	1	HYD HOSE - NEED VALVE TO ROT CYL
12	675655	1	HYD HOSE - ROT CYL TO CONT VALVE
13	749146	1	HARNESS - LIFT ARM
14	3301998	6	RING-RETAINING, EXT .940 DIA
15	3307430	2	PIN-UPPER LIFT ARM, .998 DIA,
16	3400012	2	FTG-GREASE 3/16
17	3307605P	2	ASSEMBLY-DUMP ARM MOUNT
18	3350103	1	LIFT ARM-HOPPER
19	3335285	1	PIN, LIFT CYL, ROD END
21	888282	1	ASSY- SAFETY ARM W/ BALL JOINT
22	3307607	1	PIN-ROTATION CYL, .998 DIA,
24	3335361P	1	PIVOT-HOPPER LH
25	3335362	1	ASSY- ROTATION HYD CYL MNT
26	3317366P	1	ARM - HOPPER ROTATION RH
27	3401650	8	SCR-SHCS, HEX DRIVE, 7/16-14 X 1.25, ZP
28	3300840	4	BEARING-2.18 ODx2.00 IDx1.50
29	3400099	8	WASHER-LOCK 7/16 SPLIT ZP
30	3336997	1	WELD - HOPPER ROTATE STOP
31	3400449	3	NUT-HEX JAM 1/2-20 ES
32	3400326	3	SCR-HH 1/2-20X1.25 GR 5 ZP
33	3307606	1	PIN-FRONT ROTATION CYL, .998 DIA,
34	3317119	1	ASSY- BLOCK ROTATION RH
36	3317364P	1	PIVOT-HOPPER RH
37	3400076	2	NUT-HEX JAM SLOTTED, 1-14
38	3300879	2	WASHER-HD 3.25 ODx1.00 ID
39	3400122	2	PIN-COTTER 1/8 X 2.00 ZP
40	675507	2	FTG-STR THD ELBOW -4 ORFS TO -4 SAE

LIFT & ROTATION CYLINDERS, HYDRAULIC HOSES (CONTINUED)



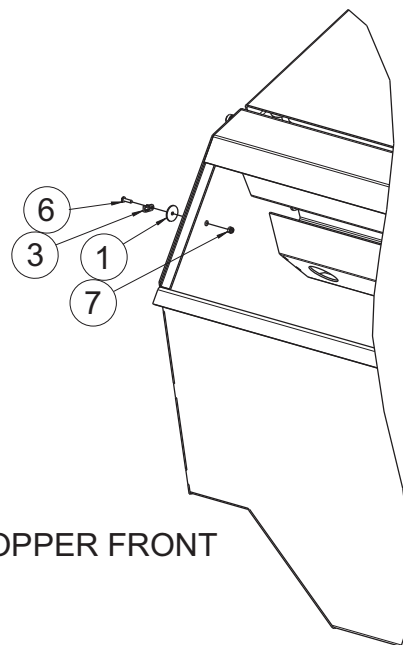
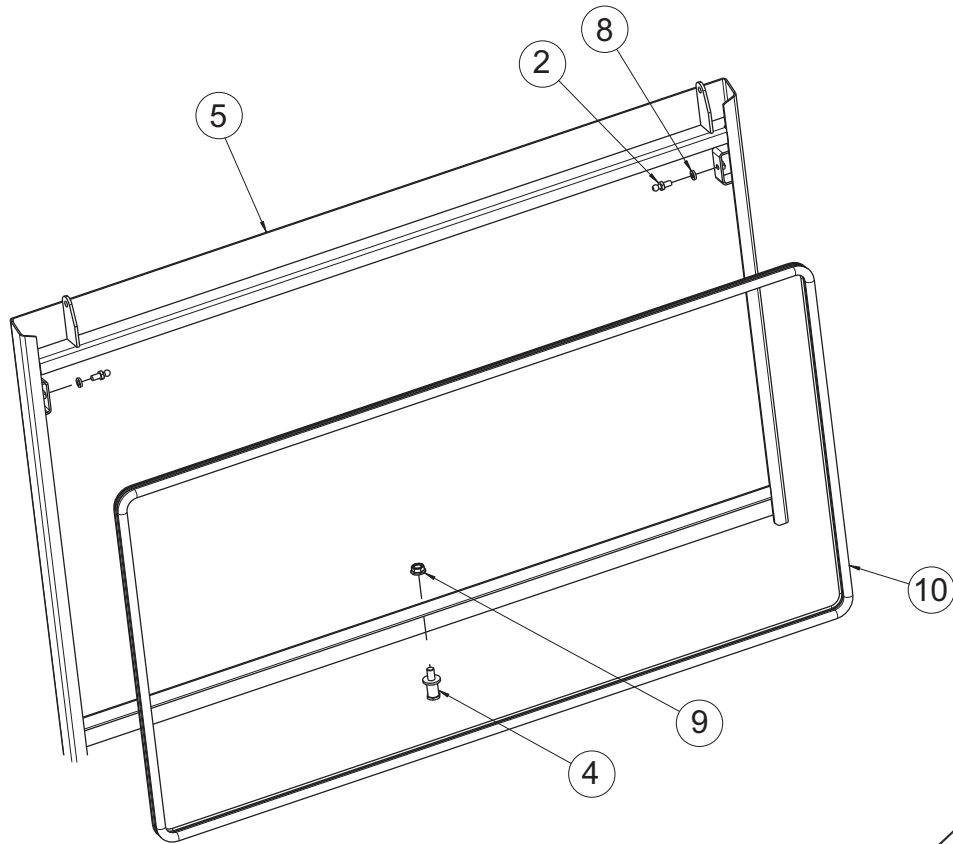
LIFT & ROTATION CYLINDERS, HYDRAULIC HOSES			
ITEM	PART NO.	REQ'D	DESCRIPTION
41	3334454P	1	LIFT ARM-UPPER LH 9X
42	3400219	2	SCR-SOC,5/16-18X0.50 ZP
43	711545	2	WASHER-LOCK 5/16 SPLIT ZP
44	690935	1	PLATE, HOPPER PIVOT PIN RETENTION
45	3321377	2	TOP-ROTATION CYL MNT ARMA
46	711239	4	SCR-HEX 3/8-16 X 1.00 GR8 ZP
47	3307243	1	ASSY, CYLINDER-HYD HOPPER LIFT
48	675518	2	FTG-STR THD ELBOW -6 ORFS TO -5 SAE
49	675550	4	FITTING ORIFICE .047 #6
50	3339955	1	CLEVIS-LIFT ARM 1.0 DIA. PIN 1.00-14 TD

HOPPER



HOPPER			
ITEM	PART NO.	REQ'D	DESCRIPTION
1	711228	6	SCR-HH 5/16-18 X .75 ZP GR 5
2	711379	6	NUT-FLANGED WIZZ 5/16-18 ZP
3	828062-B	5	CABLE TIE-LARGE (BLACK)
4	3300376	4	STUD-BALL GAS SPR 5/16-18 THRD .391DIA.
5	3307469	2	HINGE-FILTER COVER PNTD SW/A
6	3332175	1	HOPPER 10X DUAL C-BRM SOR
7	3332271	2	CLAMP - HALF CLIP .375 DIA STEEL
8	3400070	10	NUT-HEX 5/16-18 ZP GR 5
9	711545	12	WASHER-LOCK 5/16 SPLIT ZP
10	3400384	14	WASHER-CONICAL SPRING 5/16

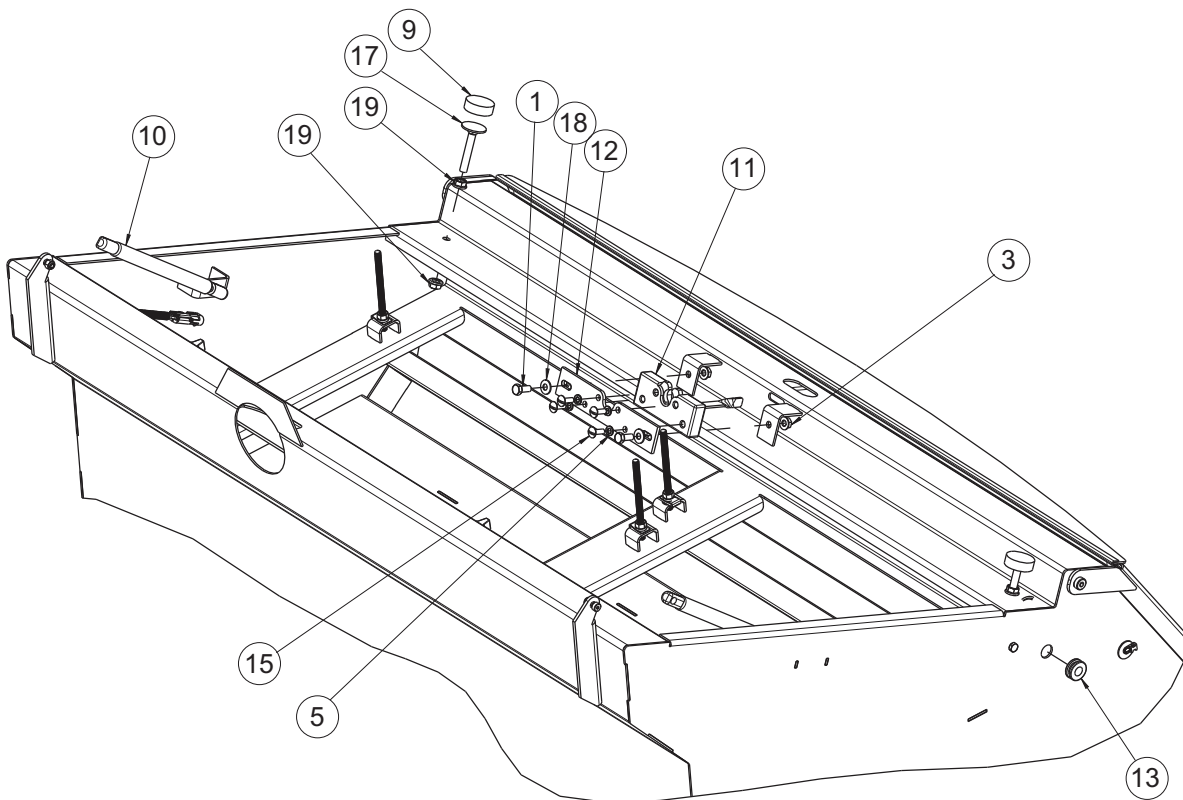
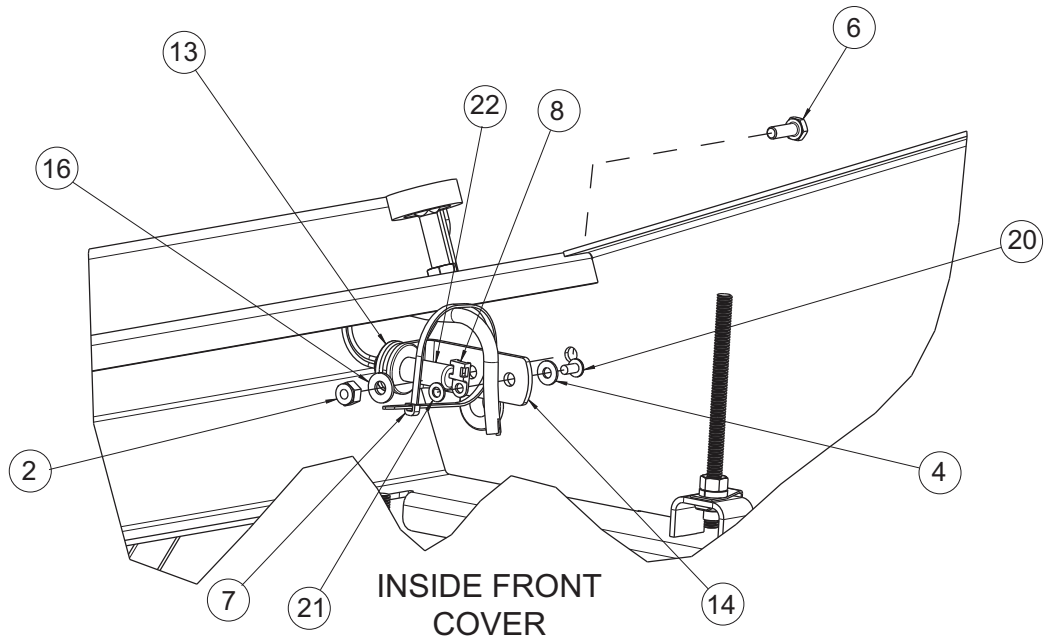
HOPPER COVER



HOPPER FRONT

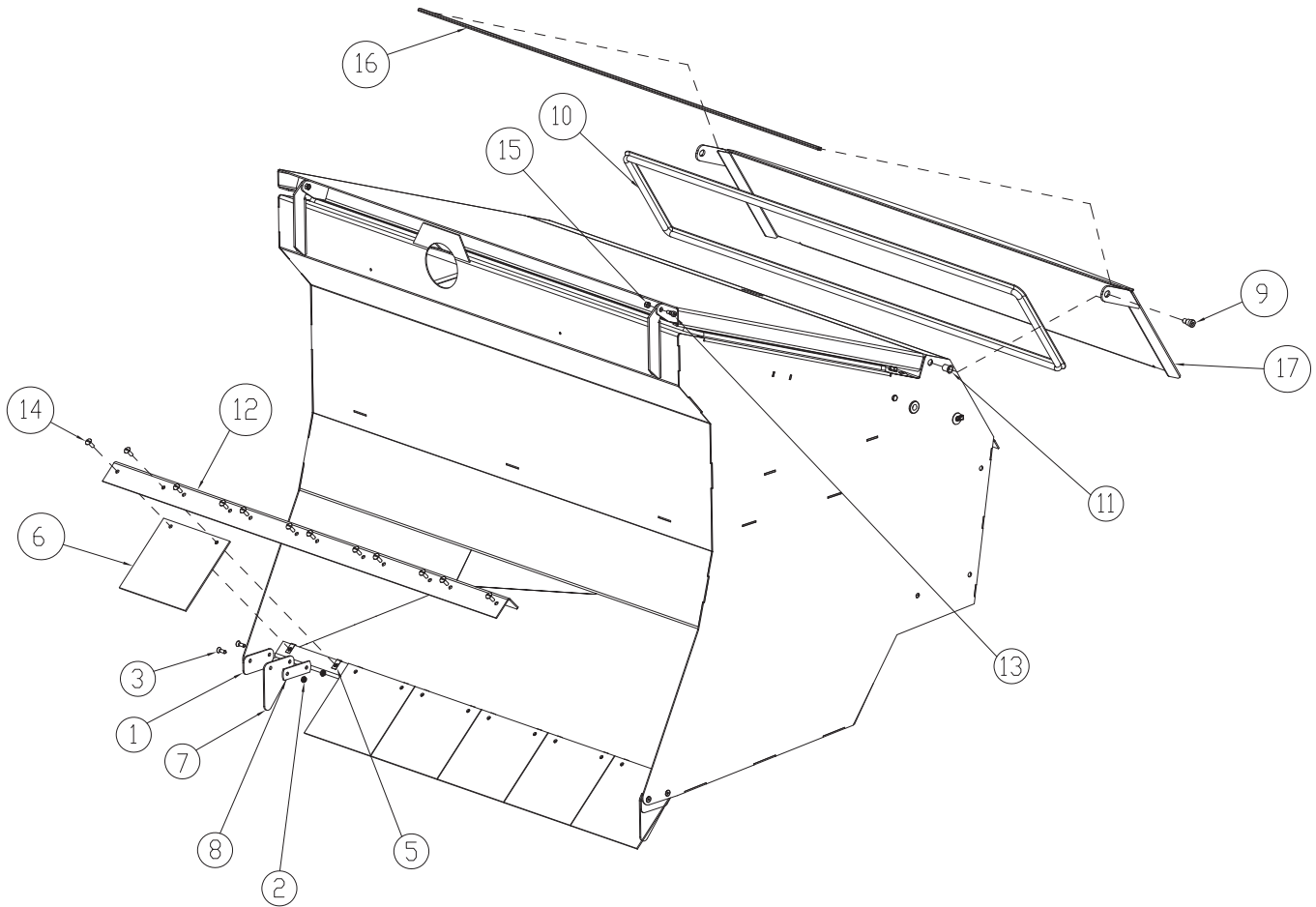
HOPPER COVER			
ITEM	PART NO.	REQ'D	DESCRIPTION
1	711599	1	WASHER-FLAT .187 X 1.00 X .06
2	3300376	4	STUD-BALL GAS SPR 5/16-18 THRD .391DIA.
3	3302472	2	MOUNT-WIRE TIE LOW PROFILE
4	3307248	1	BOLT-STRIKER BROOM DOOR LATCH
5	3350105	1	HOOD-HOPPER 10X ORANGE
6	3400045	1	SCR-PHMS 8-32X0.62 ZP SLOT HEAD
7	711372	1	NUT-NYLOC 8-32 ZP
8	711545	12	WASHER-LOCK 5/16 SPLIT ZP
9	3400394	1	NUT-FLANGE WIZZ 7/16-14
10	3500198	12	SEAL-TRIM 90 DEG. MOUNT

HOPPER LATCH



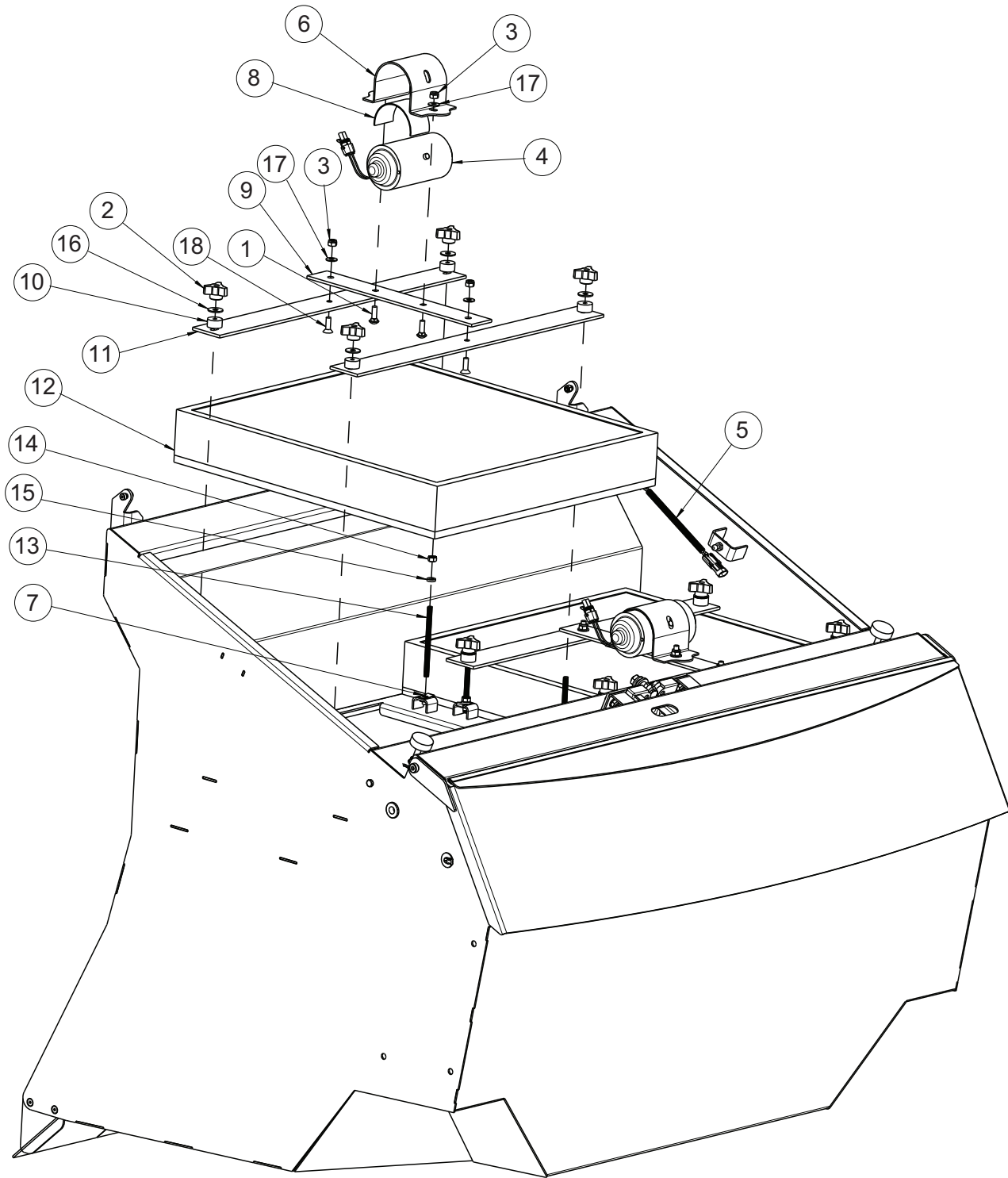
HOPPER LATCH			
ITEM	PART NO.	REQ'D	DESCRIPTION
1	711228	6	SCR-HH 5/16-18 X .75 ZP GR 5
2	711373	1	NUT-NYLOC 1/4-20 ZP
3	711379	6	NUT-FLANGED WIZZ 5/16-18 ZP
4	711503	1	WASHER-FLAT #10 X .50 ZP
5	712758	8	WASHER-LOCK 1/4 SPLIT SS
6	713002	1	SCR-HH 1/4-20 X .75 ZP 5
7	828062-B	5	CABLE TIE-LARGE (BLACK)
8	3302472	2	MOUNT-WIRE TIE LOW PROFILE
9	3304624	2	CAP-RUBBER BUMPER, (LEVELER)
10	3305006	2	SPR -GAS 5" STROKE 14.5" EXTENDED 100 L
11	3307247	1	LATCH-RH BROOM DOOR SW/A
12	3307468	1	BAR-FILTER LATCH, ZP, SW/A
13	3311564	2	GROMMET-RUBBER, 1/2 ID
14	3336778	1	BRACKET - UPPER SWITCH MOUNT
15	3401460	16	SCR-THMS 1/4-20 X .75 PHIL 18-8 SS
16	711505	1	WASHER-FLAT 1/4 ZP
17	3400355	2	SCR-LEVEL BOLT 3/8-16 x 2.50 ZP
18	3400384	14	WASHER-CONICAL SPRING 5/16
19	3400392	4	NUT-FLANGE WIZZ 3/8-16 ZP
20	3400484	1	RIVET-AVDEL 3/16 X .602
21	12310025	1	WSR-FLT M5.3 X 10 X 1 STL 140HV ZD DIN 1
22	749147	1	HARNESS, HOPPER, 9X/10X
***	661388-1	1	HARNESS, RTR SENSOR (NOT SHOWN)

HOPPER DUMP DOOR AND FLAPS



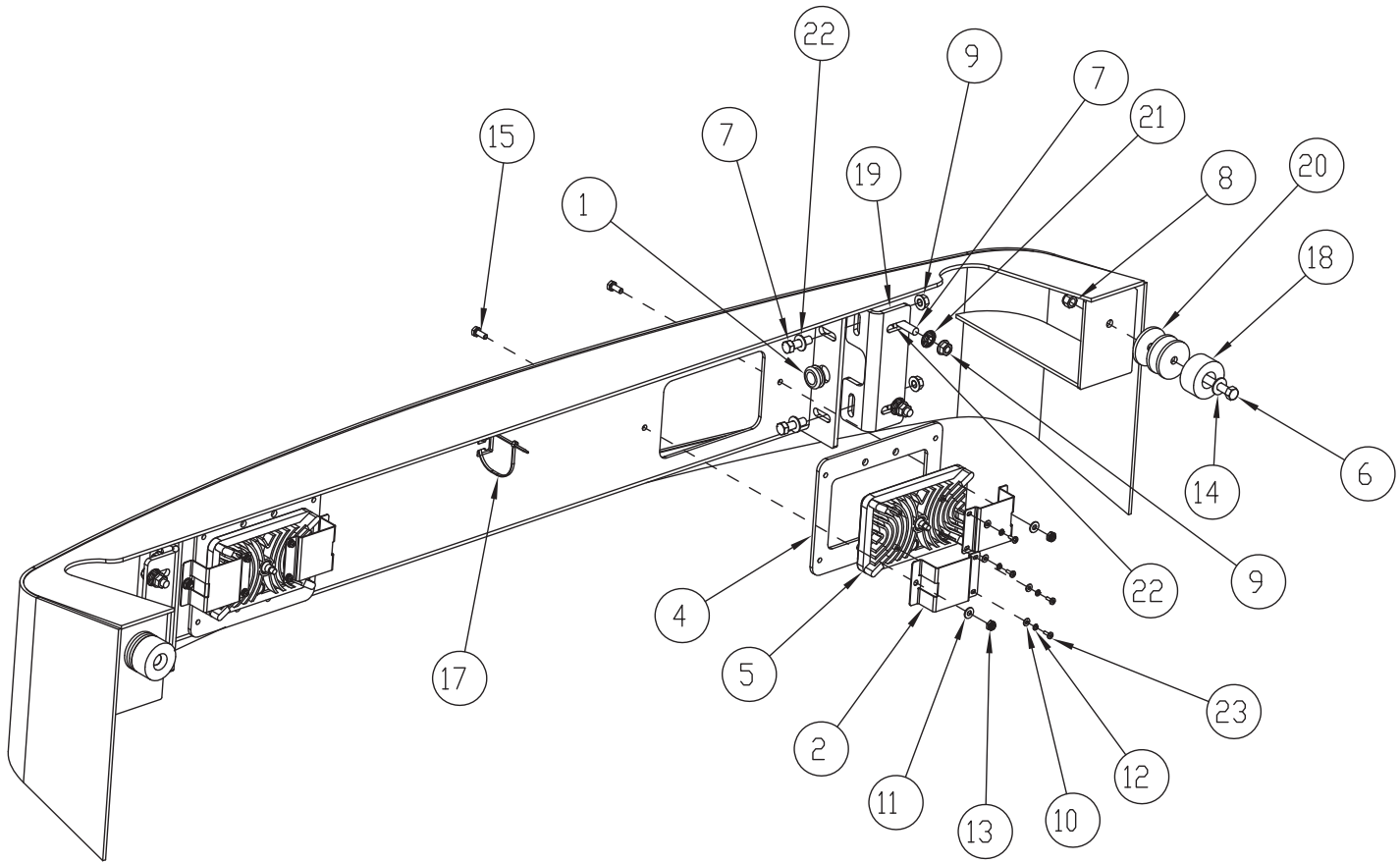
HOPPER DUMP DOOR AND FLAPS			
ITEM	PART NO.	REQ'D	DESCRIPTION
1	690974	2	SPACER, SIDE HOPPER FLAP
2	711688	4	NUT-JAM 1/4-20 NYLOC SS
3	712154	4	SCR-FHSCS 1/4-20 X 0.75, SS
4	712758	4	WASHER-LOCK 1/4 SPLIT SS
5	3301146	12	CLIPNUT-1/4-20 ZP
6	3307720	6	FLAP-HOPPER FRONT SW/A
7	3307842	2	FLAP-HOPPER SIDE SW/A
8	3307843	2	RETAINER-FLAP HOPPER SIDE ZP
9	3318073	2	SCR-SHLDR 1/2X3/8 3/8-16 18-8 SS
10	3318739	9.75 FT	WEATHERSTRIPPING-RUBBER SPONGE
11	3322189	2	INSERT-3/8-16 UNC THREADED
12	3350119	1	RETAINER-HOPPER FLAP SW/10X
13	3400052	2	BLT-SHLDR 5/16 DIA X .250 LG SS
14	3401460	16	SCR-THMS 1/4-20 X .75 PHIL 18-8 SS
15	711387	2	NUT-JAM 1/4-20 ZP NYLOC
16	3500118	4.2 FT	EDGING-VINYL TRIM 1/8" X 250'
17	650151SOR	1	HOPPER, DUMP LID 10X (ORANGE)

HOPPER FILTERS AND SHAKER



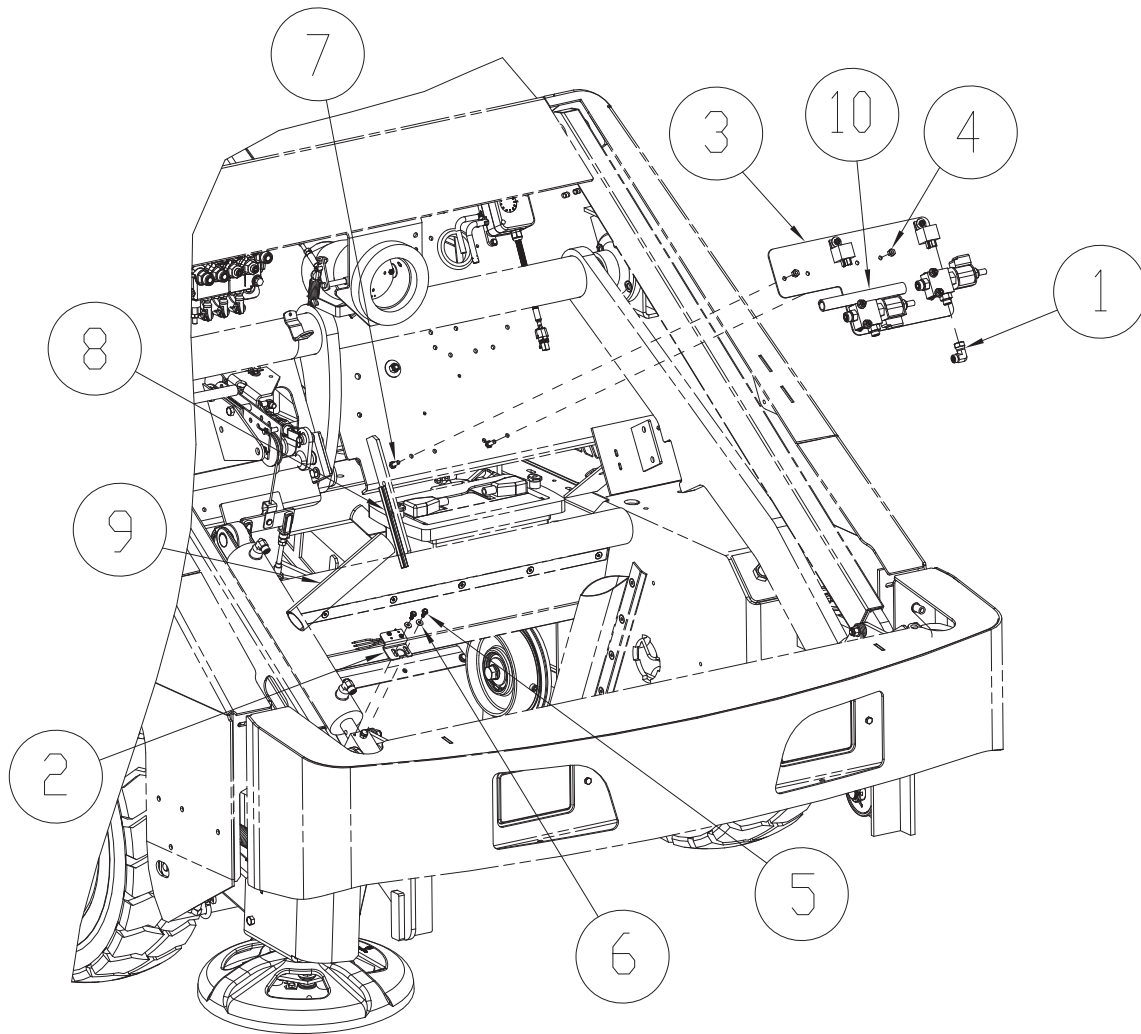
HOPPER FILTERS AND SHAKER			
ITEM	PART NO.	REQ'D	DESCRIPTION
1	70-516-16	4	BLT-CARR 5/16-18 X 1 ZP
2	210118	8	KNOB-3 SIDED 5/16 NYLOC
3	711374	8	NUT-NYLOC 5/16-18 ZP
4	748149-1	2	ASSY, SHAKER MOTOR W/CONNECTOR
5	749052	1	HARNESS, HOPPER JUMPER 10X
6	750073	2	BRACKET SHAKER MOTOR
7	832829	8	NUT-U TYPE 5/16-18 SPRING NUT
8	3300904	2	ISOLATOR-NEOPRENE, SHAKER MOTOR
9	3300917	2	MNT-FILTER SHAKER
10	3307850	8	ISOLATOR-RUBBER, .25IDx1ODx.50THK, SW/A
11	3316989	4	BAR-FILTER RET SW/10X
12	650189	2	FILTER-10X (22 X 24 X 3.19 NOM) ALUM
13	3334676	8	ROD-5/16-18x4.88, FILTER TIE DOWN
14	3400070	10	NUT-HEX 5/16-18 ZP GR 5
15	711545	12	WASHER-LOCK 5/16 SPLIT ZP
16	3400233	8	WASHER-FENDER 5/16 X 1.00 ZP
17	3400384	14	WASHER-CONICAL SPRING 5/16
18	3401070	4	SCR-FHSCS 5/16-18 X 1.0 ZP HEX DRIVE

FRONT BUMPER ASSEMBLY



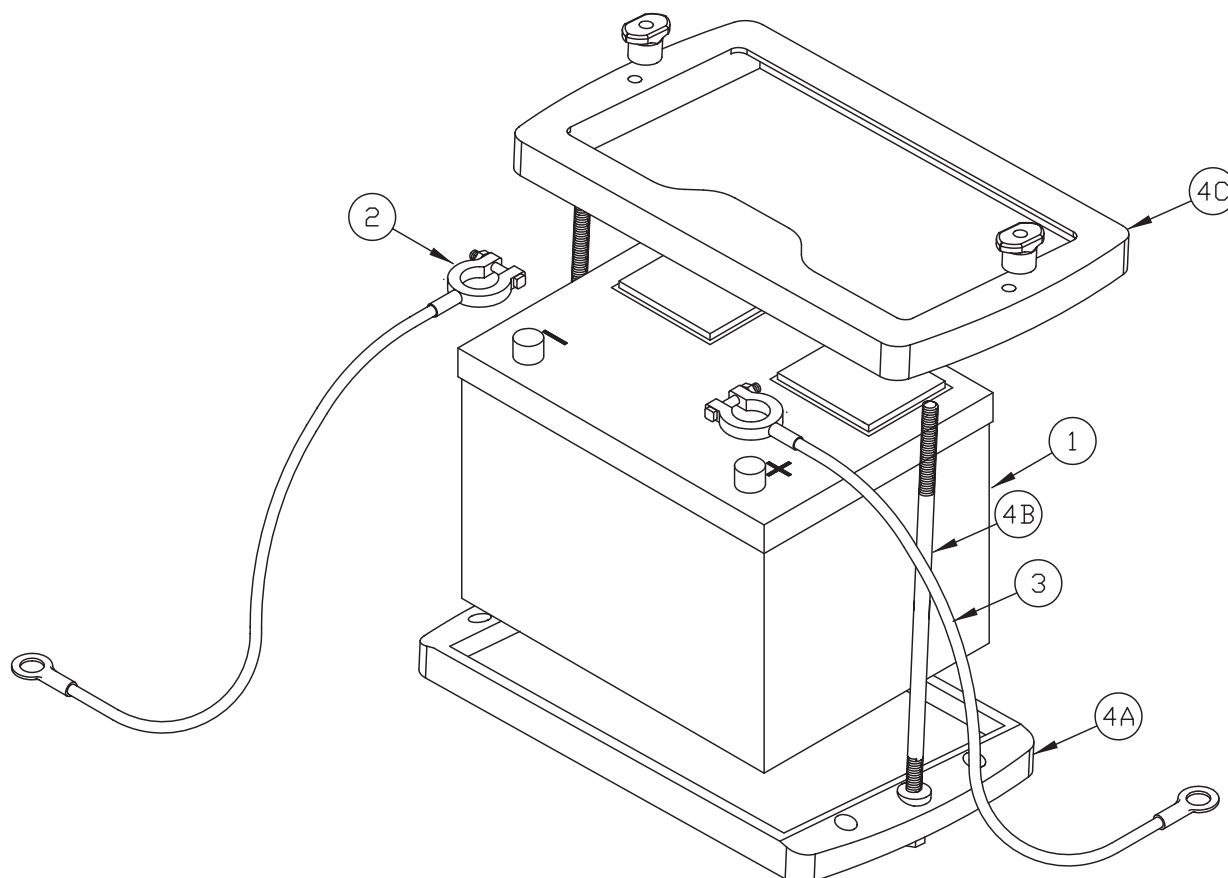
FRONT BUMPER ASSEMBLY			
ITEM	PART NO.	REQ'D	DESCRIPTION
1	600151	1	GROMMET, .63 ID .88 OD .25 T
2	620310	4	BRKT, HEADLIGHT RETAINING
3	650155	1	BUMPER - FRONT 10X
4	690953	2	GASKET, HEADLIGHT MOUNT - 4 X 6
5	691001-1	2	HEADLIGHT ASSY, 4X6 LED WITH DRL
6	711247	2	SCR-HH 3/8-16 X 2.00 ZP GR 5
7	711250	8	SCR-HH 3/8-16 X 1.25 ZP GR 5
8	711380	2	NUT-NYLOC 3/8-16 ZP
9	711439	8	NUT-FLANGED WIZZ 3/8-16 ZP
10	711502	8	WASHER-FLAT #8 ZP
11	711504	4	WASHER-FLAT 1/4 SS
12	711542	8	WASHER-LOCK #8 SPLIT ZP
13	711688	4	NUT-JAM 1/4-20 NYLOC SS
14	712301	2	WASHER-FLAT 3/8 X .87 X .06 ZP
15	713001	4	SCR-HH 1/4-20 X .62 GR 5 ZP
16	749142	1	HARNESS ASSY, HEADLIGHTS, 9X/10X
17	828062-B	1	CABLE TIE-LARGE (BLACK)
18	3300338	2	BUMPER-RUBBER
19	3307732	2	ANGLE-BUMPER ADJ SW/A PNTD
20	3307818	6	SPACER-SHOCK DISK PLTD
21	3316981	4	NUT-PUSH RETAINER 3/8 BOLT, 25/32 OD ZP
22	3400385	8	WASHER-CONICAL SPRING 3/8
23	11175395	8	SCR-MC PAN HD M4 X 0.7 X 10 304SSDIN7985

REGULATED HOPPER CONTROL GROUP



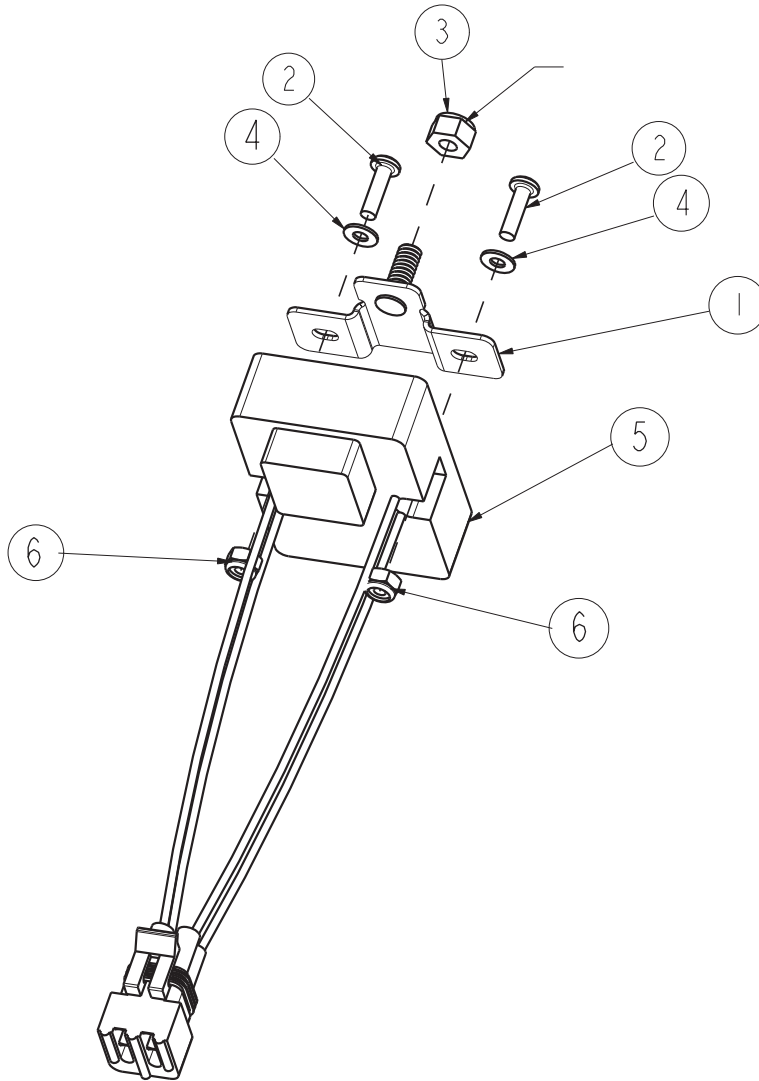
FRONT BUMPER ASSEMBLY			
ITEM	PART NO.	REQ'D	DESCRIPTION
1	675549	1	FTG-ORFS TEE SWIVEL NUT -4 -4 -4
2	691012-1	1	PLATE ASSY, HOPPER ROT. MICRO SWITCH
3	888328	1	ASSY - HOPPER CONTROL ACTUATORS, 10X
4	711373	2	NUT-NYLOC 1/4-20 ZP
5	712166	2	SCR-HH 10-32 X .50 SS THREAD FORMING
6	712764	2	WASHER-FLAT #10 SS
7	713002	2	SCR-HH 1/4-20 X .75 ZP 5
8	3500116	9.5 IN	EDGING-VINYL 5/16
9	3500693-1	9 IN	VELCER SLEEVING 4" DIA
10	3500694-1	7	VELCRO SLEEVE 1" DIA
***	675420	2	HYD HOSE - NEED VALVE TO ROT CYL
***	675422	1	HYD HOSE - LIFT CYL TO CONT VALVE F
***	749158	1	HARN ASSY, REG HOPPER CONTROL

BATTERY COMPONENTS



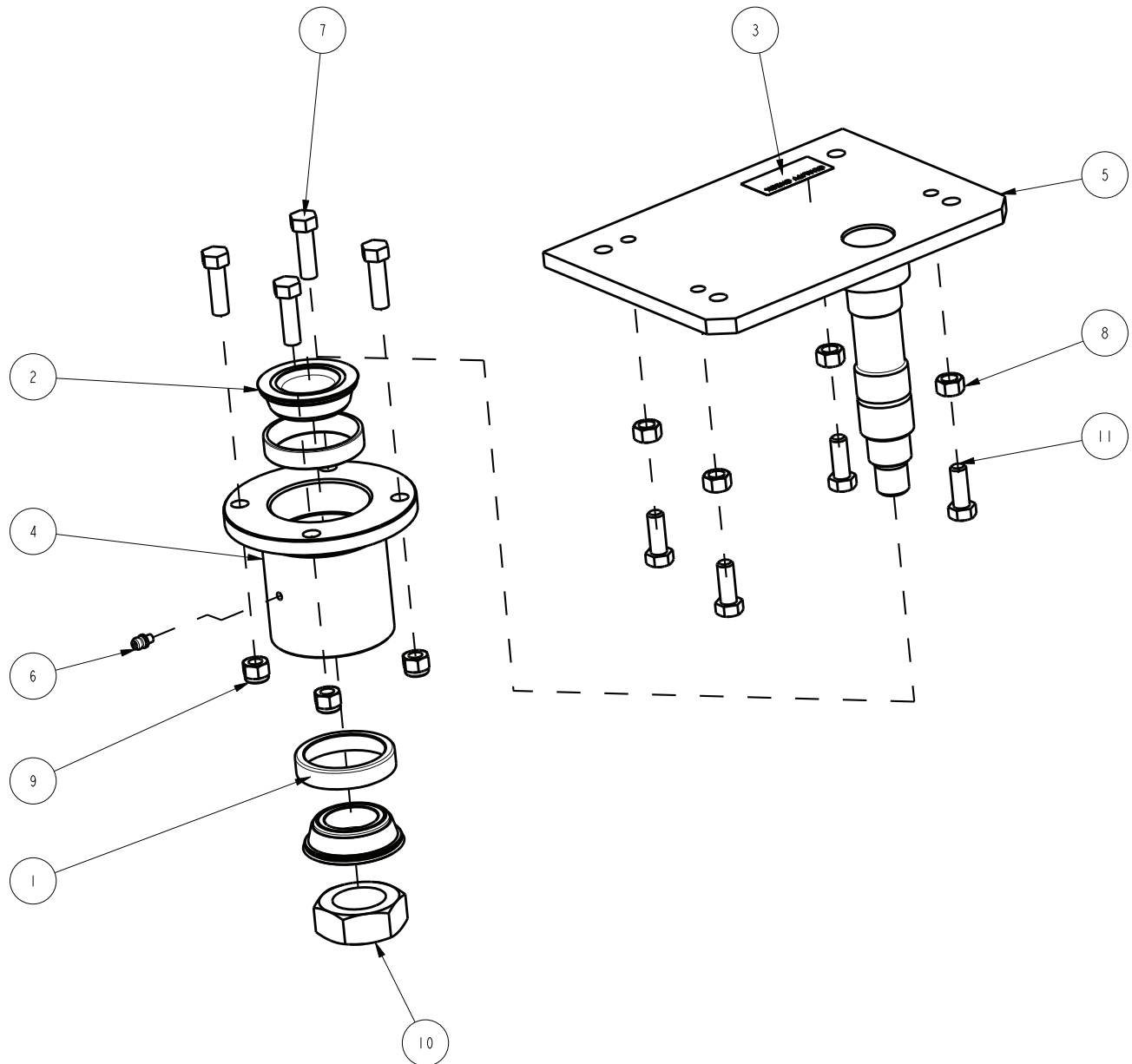
BATTERY COMPONENTS			
ITEM	PART NO.	REQ'D	DESCRIPTION
1	3300440	1	BAT-GAS/DIESEL 12V 650 CCA 125 MIN RESER
2	3307634	1	ASSY-BATTERY CABLE ARMA NEG
3	3307939	1	CABLE-BATTERY POSITIVE KBA DSL
4	690250	1	TRAY- BATTERY, 24 SERIES

TIMER-FILTER SHAKER SEALED



TIMER-FILTER SHAKER SEALED			
ITEM	PART NO.	REQ'D	DESCRIPTION
1	690138	1	BRACKET, TIMER
2	710230	2	SCR-MC 8-32 X .62 ST PL
3	711373	1	NUT - NYLOC 1/4-20
4	711502	2	WSR - FLT, .170 X .38 X .32 STL ZINC
5	748502-1	1	ASSY, RELAY - TIMER, W/CONNECTOR
6	711372	2	NUT - HEX #8-32 ES ZP

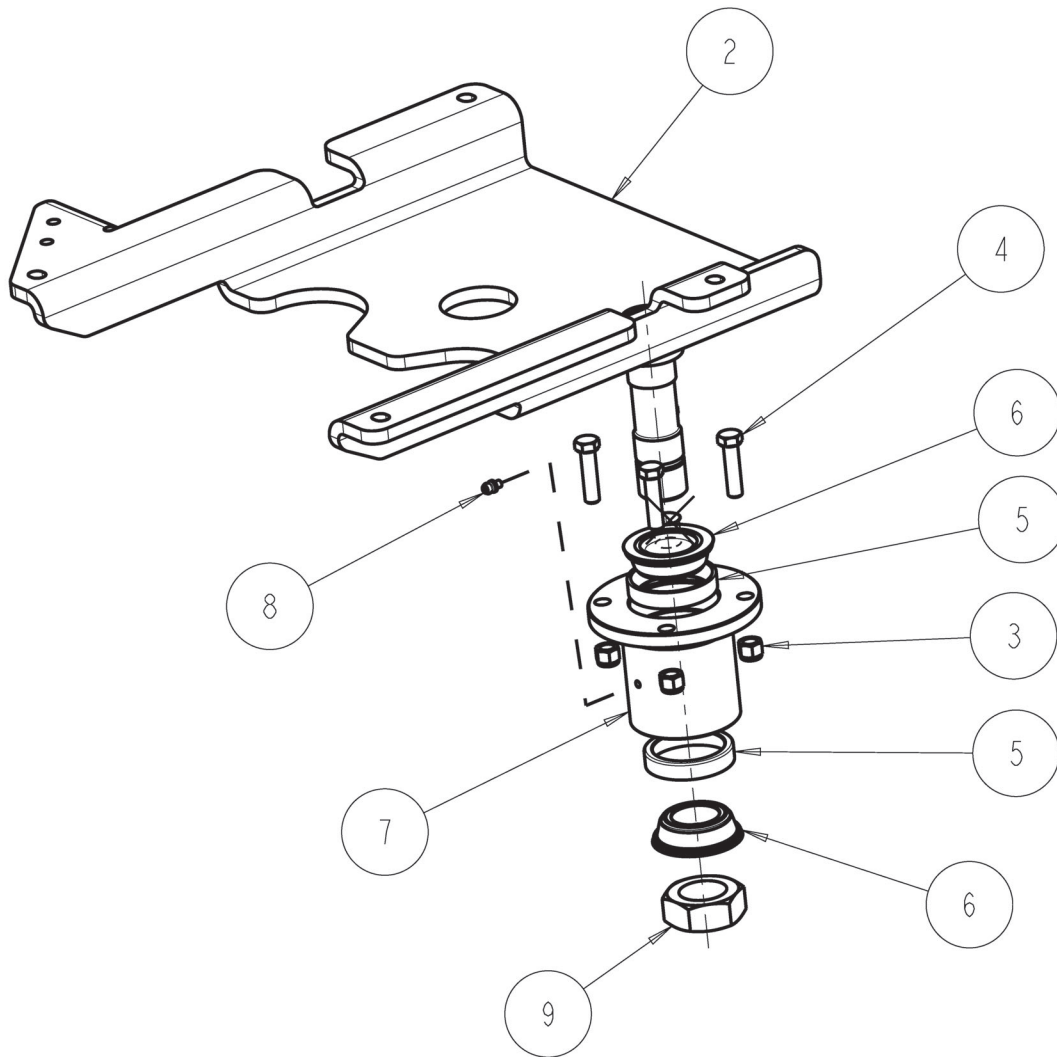
ENGINE PIVOT ASSY



ALL MODELS EXCEPT THE 10XT3DSL-US (UNITED STATES MODEL)

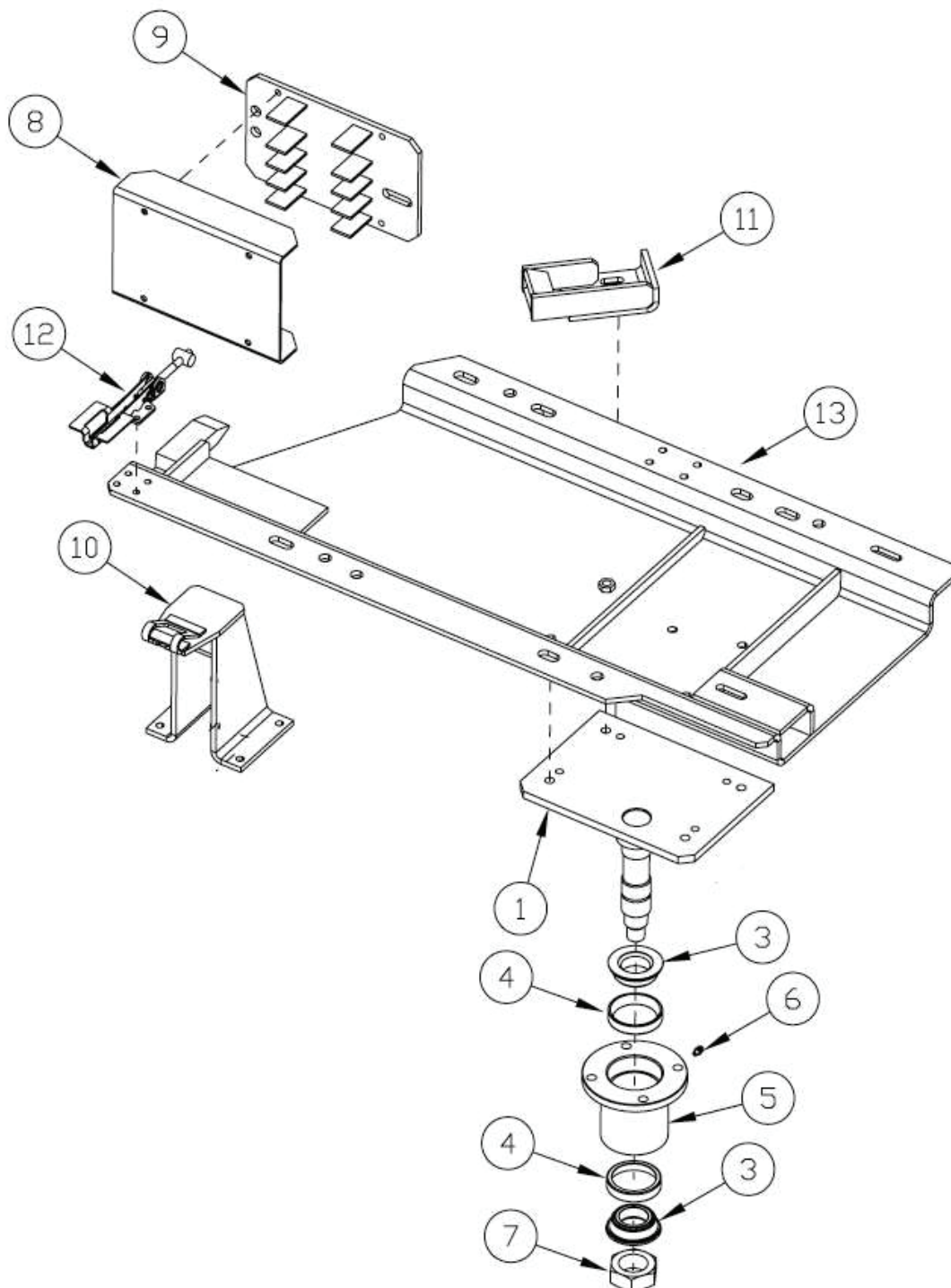
ENGINE PIVOT ASSY - 3335281			
ITEM	PART NO.	REQ'D	DESCRIPTION
1	3300470	2	BEARING-TAPERED ROL CUP
2	3300471	2	BEARING-TAPERED ROLCONE W/SEAL
4	3307326	1	BRG MOUNT-ENGINE PIVOT
5	3334951	1	WELD-ENGINE PIVOT, ARMA
6	3400012	1	FTG-GREASE 3/16 DRIVE
7	711250	4	SCR-HH 3/8-16 X 1.25 ZP GR 5
8	3400067	4	NUT-HEX 3/8-24 ZP
9	711380	4	NUT-NYLOC 3/8-16 ZP
10	3400083	1	NUT-HEX 1 1/4-12 ES ZP
11	3400186	4	SCR-HEX 3/8-24 X 1.0 LG, ZP
11	3400186	4	SCR-HEX 3/8-24 X 1.0 LG, ZP

ENGINE PIVOT ASSY (US MODEL)



ENGINE PIVOT ASSY - 888314 (US MODEL)			
ITEM	PART NO.	REQ'D	DESCRIPTION
1	001700	0.0012	MOB GREASE XHP 222
2	650036	1	WELD-ENGINE PIVOT, 10X, D1803 KUBOTA
3	711380	4	NUT-NYLOC 3/8-16 ZP
4	713044	4	SCR-HH 3/8-16 X 1.50 ZP GR 5
5	3300470	2	BEARING-TAPERED ROL CUP
6	3300471	2	BEARING-TAPERED ROLCONE W/SEAL
7	3307326	1	BRG MNT-ENG PIVOT
8	3400012	1	FTG-GREASE 3/16
9	3400083	1	NUT-JAM 1-1/4-12 ZP NYLOC

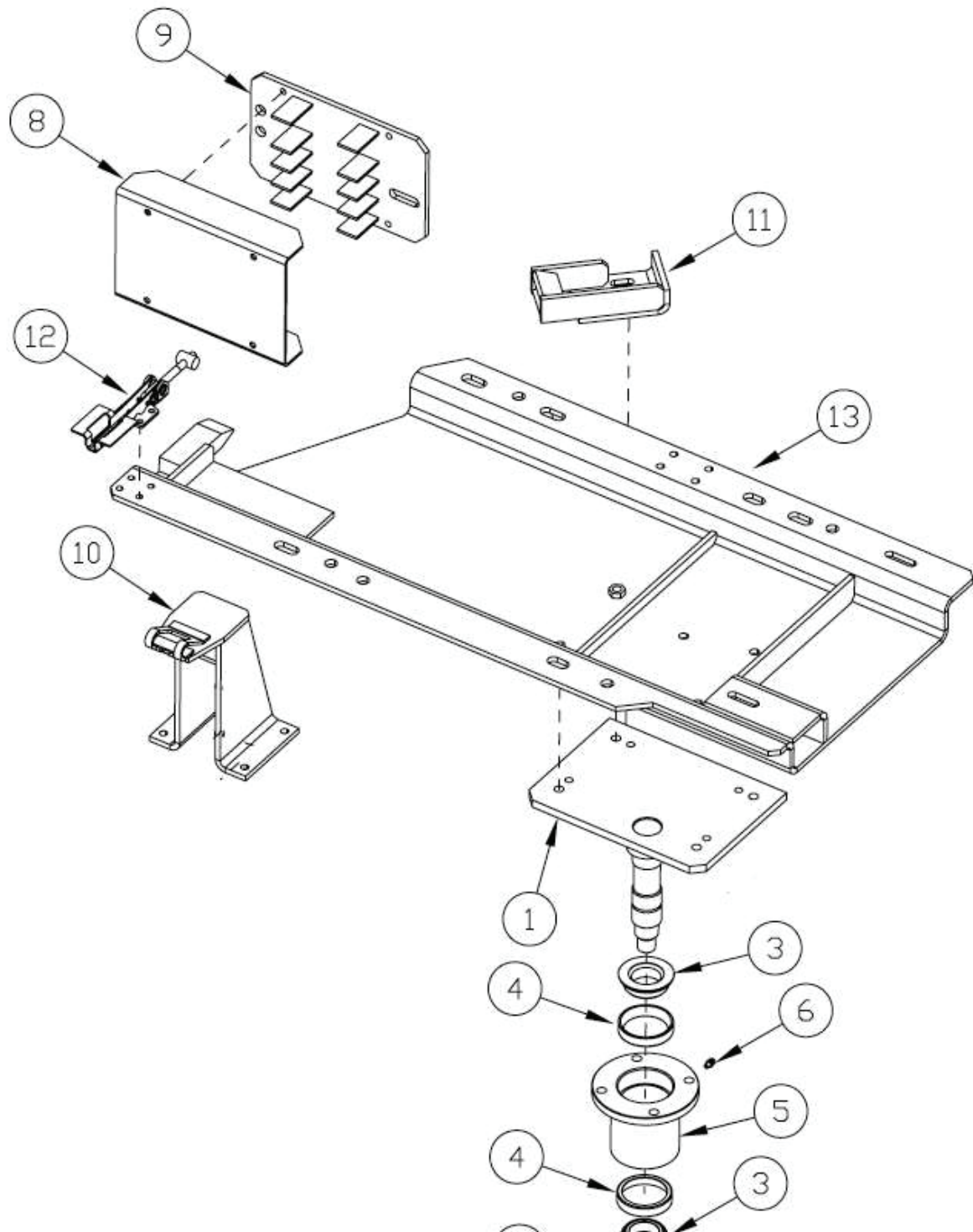
ENGINE PAN, HYDRAULIC HOSE RETAINER & LATCH



ALL MODELS EXCEPT THE 10XT3DSL-US (UNITED STATES MODEL)

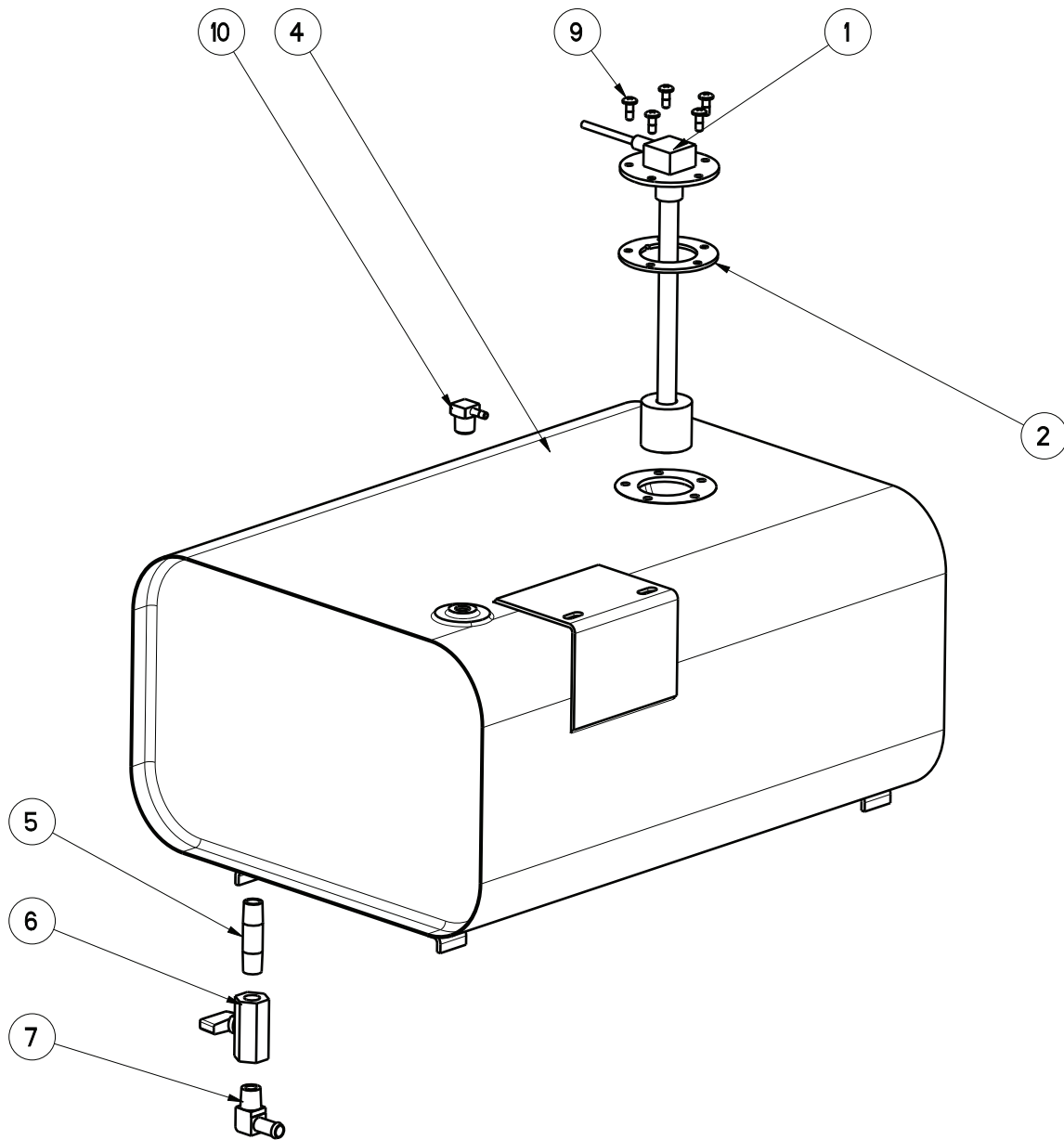
ENGINE PAN, HYDRAULIC HOSE RETAINER & LATCH			
ITEM	PART NO.	REQ'D	DESCRIPTION
1	3334951	1	WELDMENT-ENGINE PIVOT
3	3300471	1	BEARING-TAPERED ROLCONE W/SEAL
4	3300470	1	BEARING-TAPERED ROL CUP
5	3307326	1	BEARING MOUNT-ENGINE PIVOT
6	3400012	1	FTG-GREASE, φ3/16
7	3400083	1	NUT-HEX JAM, 1 1/4-12 ES
8	690503	1	COVER-HOSE
9	690500	1	HOSE RETAINER
10	3335208	1	WELDMENT-ENGINE CATCH OUTER
11	3335183	1	WELDMENT-ENGINE CATCH INNER
12	3337544	1	LATCH - ENGINE SWING
13	3334994M	1	WELD-ENGINE PAN,

ENGINE PAN, HYDRAULIC HOSE RETAINER & LATCH (US MODEL)



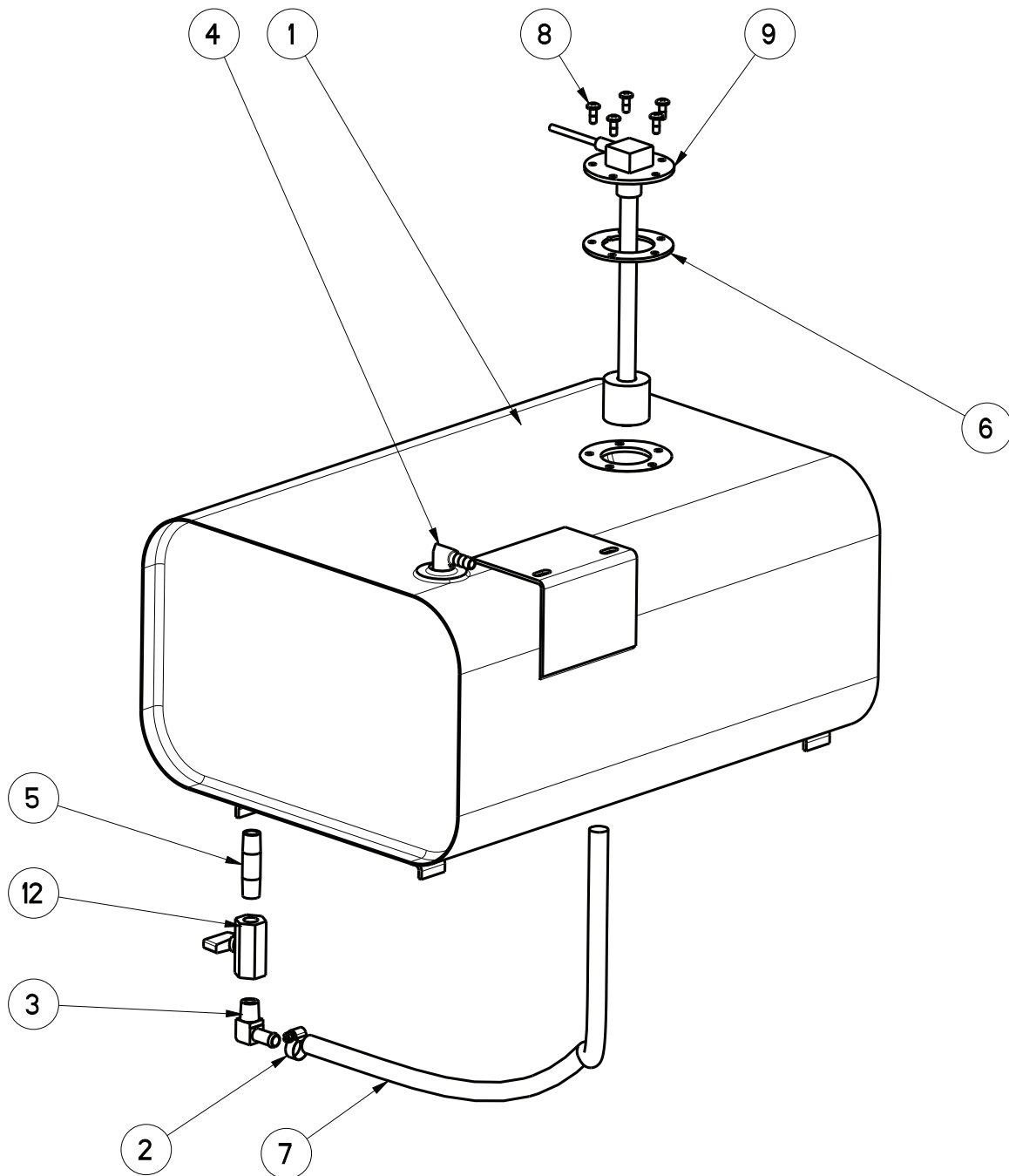
ENGINE PAN, HYDRAULIC HOSE RETAINER & LATCH (US MODEL)			
ITEM	PART NO.	REQ'D	DESCRIPTION
1	650034	1	ENGINE PAN, 10X, D1803 KUBOTA
2	888314	1	ASSY-ENGINE PIVOT, 10X, D1803 KUBOTA
3	690500	1	WELDMENT, HOSE RACK
4	690503	1	RETAINER, HOSE
5	3335183	1	INNER ENG CATCH, ARMA
6	3335208	1	ENG CATCH OUTER, ARMA
7	3337544	1	LATCH - ENGINE SWING

FUEL TANK, GASOLINE AND DIESEL



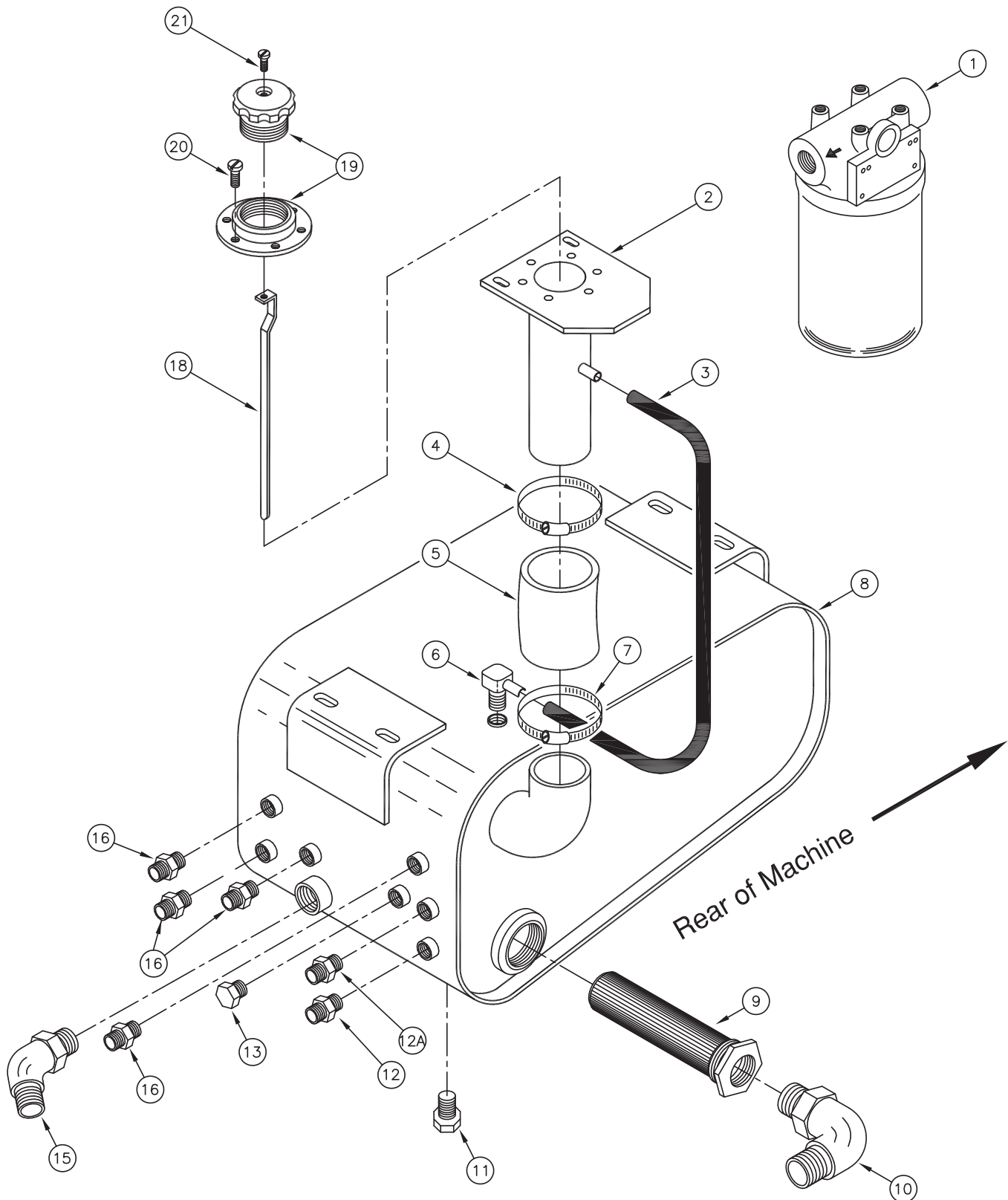
FUEL TANK GASOLINE AND DIESEL			
ITEM	PART NO.	REQ'D	DESCRIPTION
1	732018-1	1	SENDING UNIT, FUEL LEVEL
2	811023	1	GASKET, SENDER
4	3335055	1	ARMA - FUEL TANK, GAS
	3307575		ARMA - FUEL TANK, DSL
5	3400498	1	FTG-NIPPLE 1/4 NPT X 2.00 LG BRASS
6	3400499	1	VALVE-MINIATURE 1/4 FPT BALL
7	3400793	1	FTG-90 3/8 BARBx1/4 NPT
9	3401636	5	SCR-PHMS 10-32 X .50 SS W/O-RING
10	3402022	1	FTG-ELBOW 90 1/4 MPT X 1/8 HB BRASS

FUEL TANK, DIESEL (US MODEL)



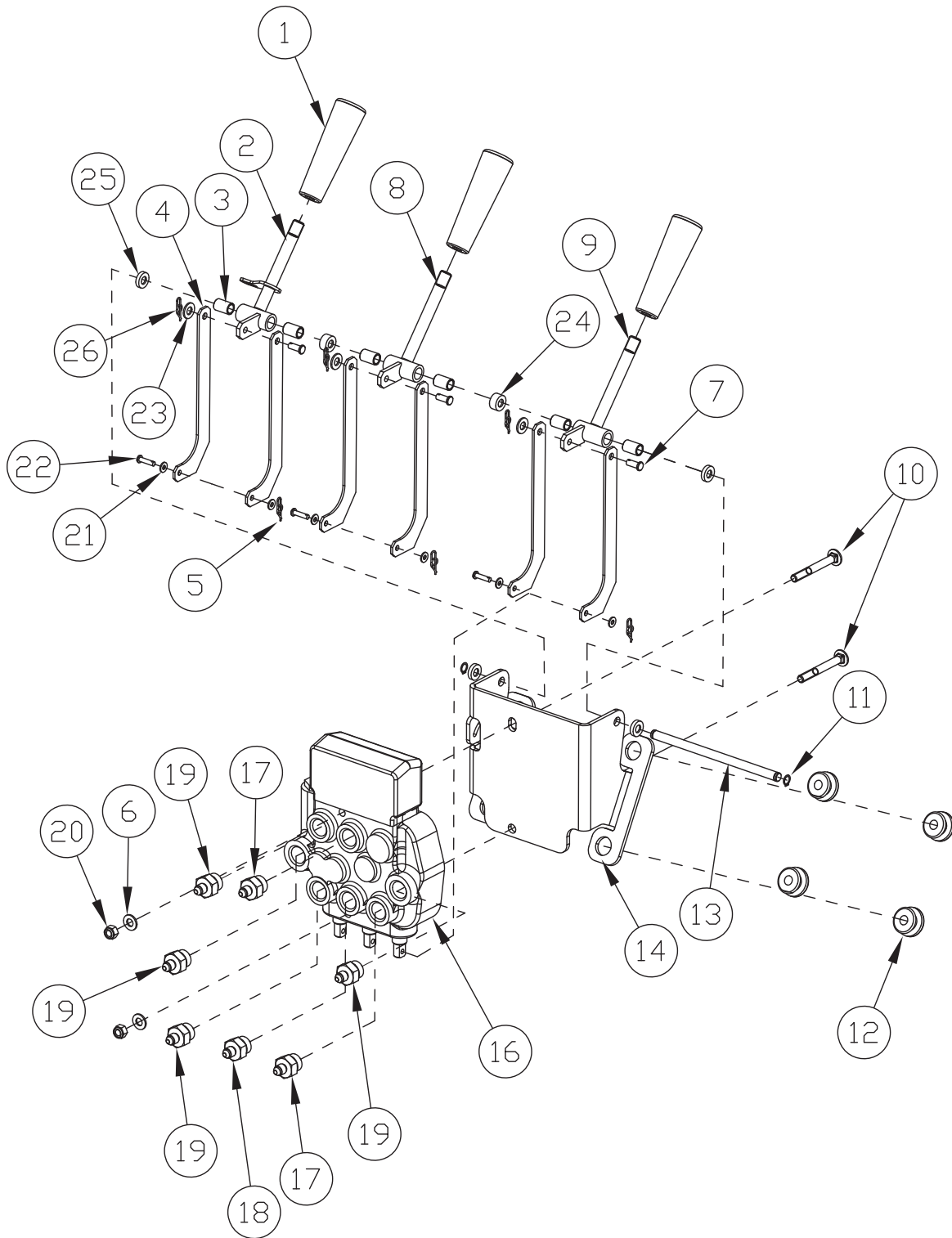
FUEL TANK GASOLINE AND DIESEL			
ITEM	PART NO.	REQ'D	DESCRIPTION
1	3307575	1	TANK-FUEL, 7.64 US GAL, SW/A
2	3302338	1	CLAMP - SCREW .25" to .625" DIA 301SS
3	3400793	1	FTG-90 3/8 BARBx1/4 NPT
4	3401445	1	FTG-ELBOW 90 5/16 HB X 1/4 MPT BRASS
5	3400498	1	FTG-NIPPLE 1/4 NPT X 2.00 LG BRASS
6	811023	1	GASKET, SENDER
7	690010	2 ft	HOSE, 5/16 FUEL LINE, KUBOTA GASOLINE
8	3401636	5	SCR-PHMS 10-32 X .50 SS W/O-RING
9	732018-1	1	SENDING UNIT, FUEL LEVEL
12	3400499	1	VALVE-MINIATURE 1/4 FPT BALL

HYDRAULIC RESERVOIR ASSEMBLY



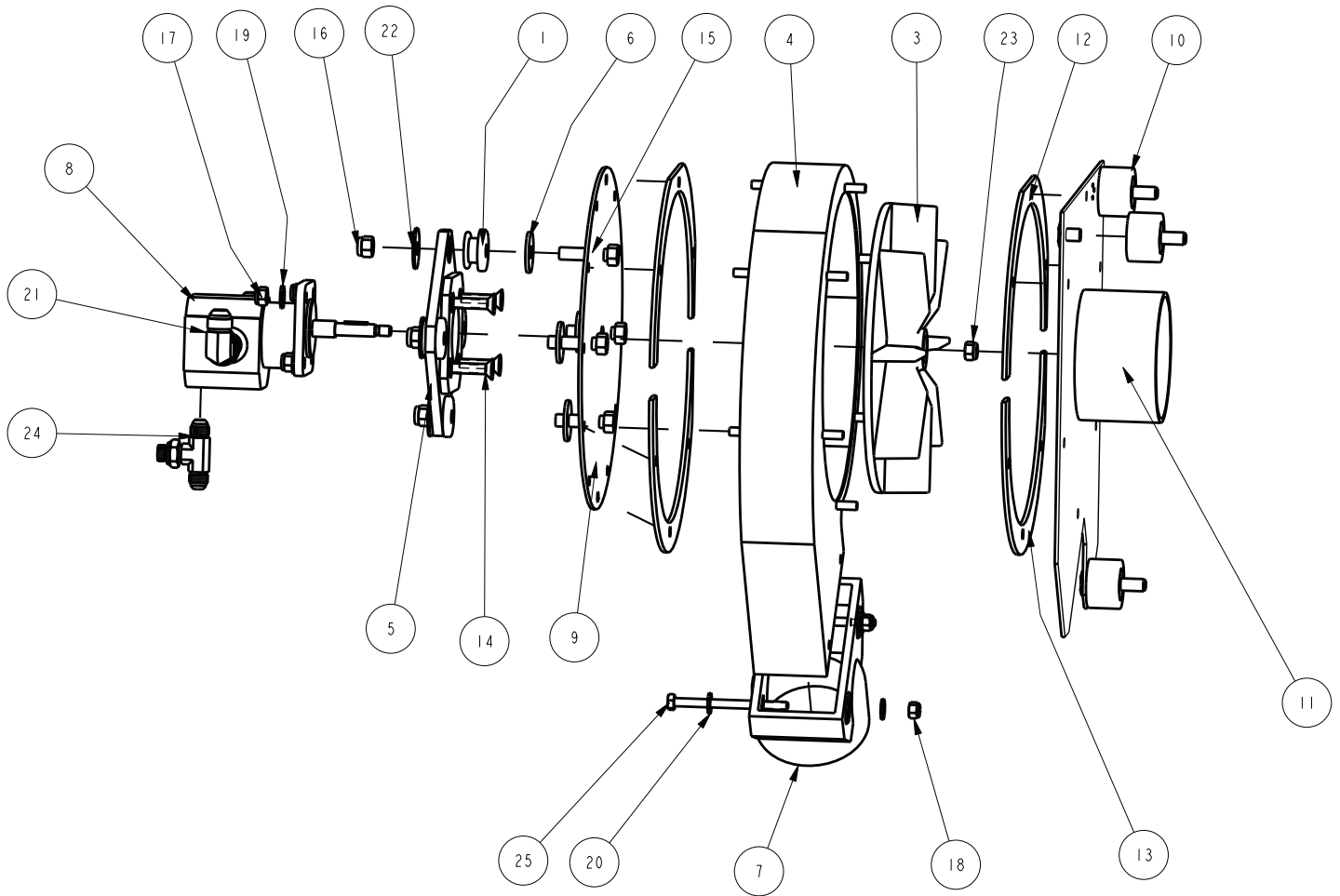
HYDRAULIC RESERVOIR ASSEMBLY			
ITEM	PART NO.	REQ'D	DESCRIPTION
1	3300358	1	SUB-HYD FILTER SW/9X (FILTER, MOUNT & FITTINGS)
-	3300359	1	FILTER-HYDRUALIC OIL (FILTER ONLY)
-	675537	1	FTG-ORFS 90 ELBOW -8 -12 SAE (NOT SHOWN)
-	675526	1	FTG-ORFS TEE SWIVEL NUT -8 -8 -8 SAE (NOT SHOWN)
-	675529	1	FTG-ORFS STR THD -8 -12 SE (NOT SHOWN)
2	3310072	1	WELDMENT-HYD FILL TUBE
3	3500137	1	HOSE-1/8 ID EEC-PCV
4	3044112	1	CLAMP-HOSE, SS, 2.50 MAX WORM
5	3303577	1	HOSE-RUBBER, 2.00IDx3.50 LG
6	3307778	1	FTG-90° 1/8MPTx1/4 BARB
7	3044112	1	CLAMP-HOSE, SS, 2.50 MAX WORM
8	3335527	1	RESERVOIR-HYDRAULIC, 7.5 US GA
9	3343836	1	STRAINER-HYDRAULIC TM-14
10	675506	1	FTG-STR THD ELBOW -16 ORFS TO -20 SAE
11	3400164	1	FTG-PLUG 3/4-16 O RING
12	675524	2	FTG-STR THD CONNECTOR -8 ORFS TO -8 SA
13	3400453	1	FTG-PLUG 9/16-18 O-RING STEEL
15	675504	1	FTG-45 DEG STR ELBOW -12 ORFS TO -16 SA
16	675510	4	FTG-STR THD CONNECTOR -5 ORFS TO -4 SA
18	3307580	1	DIPSTICK-HYD RESEVOIR
19	3305576	1	ASSEMBLY-HYD OIL FILTER BREATHER
20	3400044	6	SCR-HEX,#10-32X0.75
21	3400045	1	SCR-PAN,#8-32X0.62,SLT
-	711372	1	NUT-HEX #8-32 ES ZP (NOT SHOWN)
-	3342472	1	ASSY- HYDRAULIC FILL TUBE (INCLUDES 2,4,5,7,18-21,711350 & 711372
-	3335773-1	1	ASSY- HYDRAULIC RESERVOIR (Includes Items 6, 8-17)

HYDRAULIC CONTROL VALVE ASSEMBLY



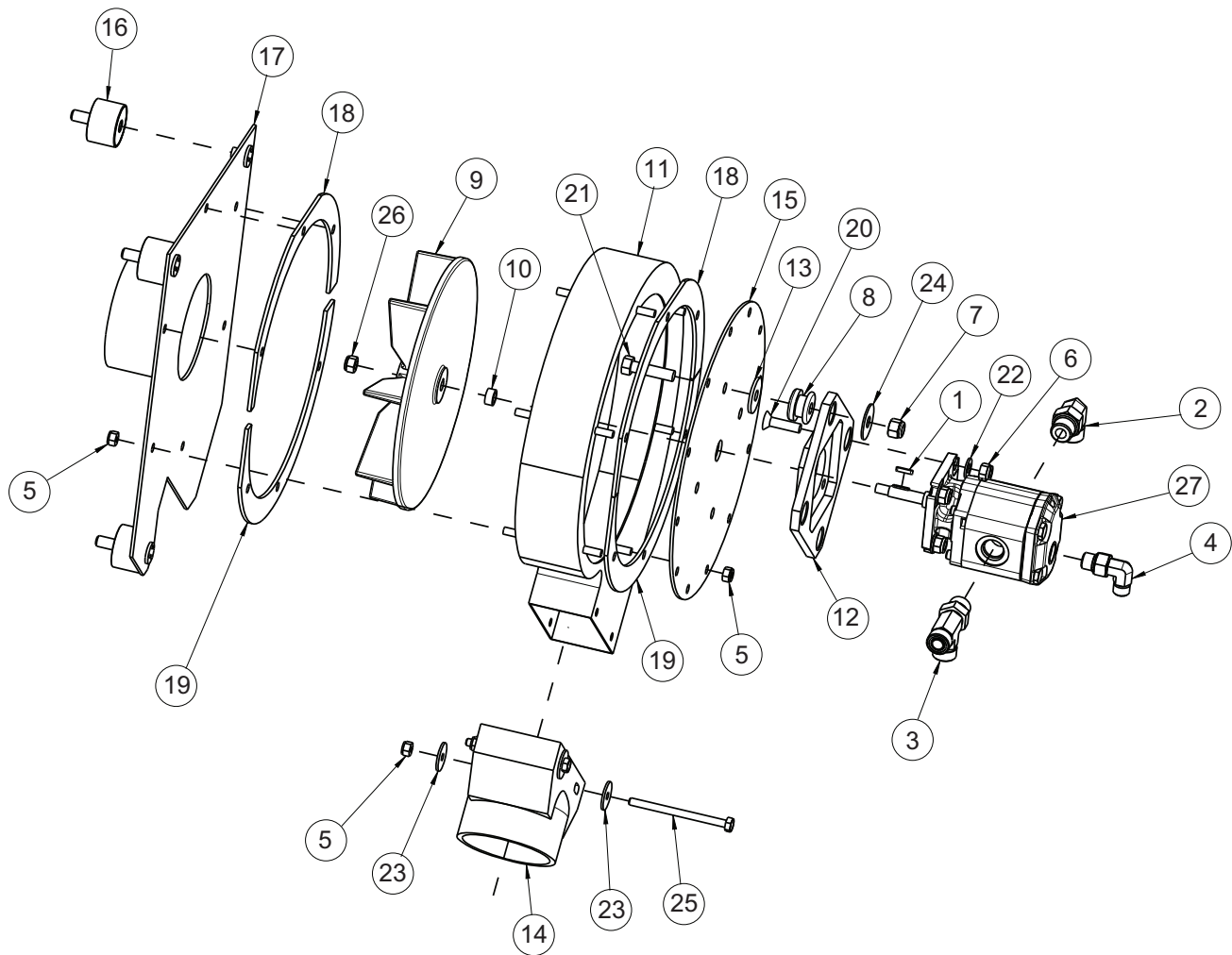
HYDRAULIC CONTROL VALVE ASSEMBLY			
ITEM	PART NO.	REQ'D	DESCRIPTION
1	600264	3	HANDLE GRIP
2	3338603	1	WELD - HANDLE CONT VLV 3
3	3303996	6	BEARING-PLASTIC 1/2X3/8X.75 LG
4	3338456P	6	LINK - HYD VALVE - P
5	3400125	3	RING-RUE 3/8
6	711506	2	WASHER-FLAT 5/16 X.688 X .065 ZP
7	3400425	3	PIN-CLEVIS 1/4 X 5/8 ZP
8	3338458	1	WELD - HANDLE CONT VLV 2
9	3338459	1	WELD - HANDLE CONT VLV 1
10	3400466	1	SCR-HH 5/16-18 X 2.50 ZP GR 5
11	711724	2	RET RING-EXT 3/8
12	3300465	4	ISOLATOR-RUBBER (.375ID X .81OD)
13	3300884	1	ROD-PIVOT CONTROL VALVE PLTD
14	3338455	1	MNT - HYD. SPOOL VALVE
16	3338213	1	VALVE-3 SPOOL SWEEPER(SEE NOTE)
17	675513	2	FTG-ORFS STR THD -4 -8 SAE
18	690006	1	FTG-ORFS STR THD -4 -8 SAE /.043 ORIFICE
19	675524	4	FTG-ORFS STR THD -8 -8 SAE
20	711374	2	NUT-NYLOC 5/16-18 ZP
21	711506	3	WASHER-FLAT 5/16 X.688 X .065 ZP
22	450034	3	PIN-CLEVIS 5/16 X .75 ZP
23	711505	3	WASHER-FLAT 1/4 ZP
24	690015	2	BUSHING, VALVE BODY, 3/8IDX5/8ODX1/4L
25	711569	4	WASHER-FLAT .390 X .880 X .062 NYL
26	3400742	3	RING-RUE 1/4 ZP

IMPELLER ASSEMBLY (PRIOR TO SERIAL 22PB1765)



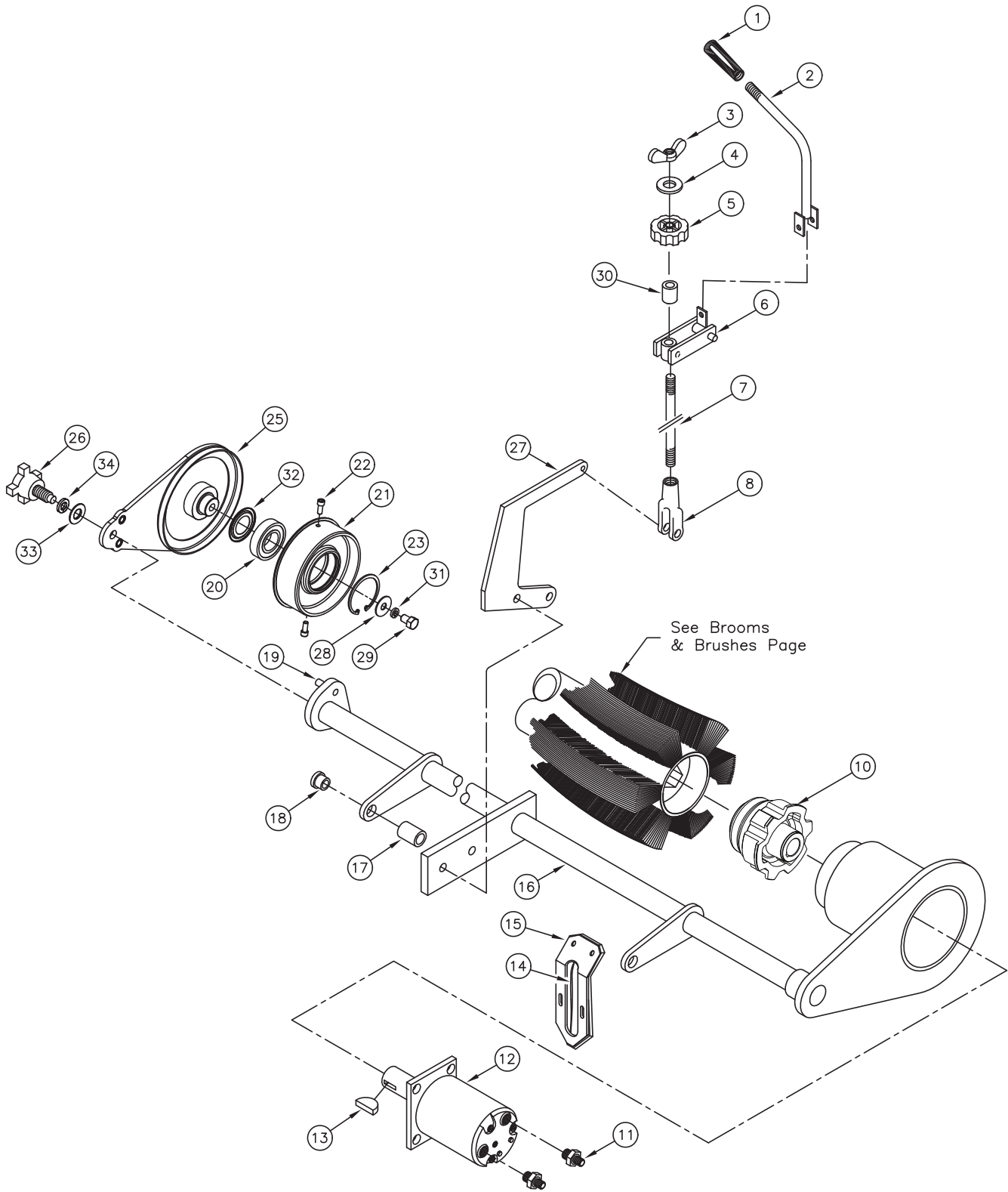
IMPELLER ASSEMBLY			
ITEM	PART NO.	REQ'D	DESCRIPTION
1	3300465	4	MOUNT-ISO IMP MNT
2	3303495	1	DECAL-QUALITY CHECK
3	3307003	1	BLADE-IMPELLER
4	3307004	1	SHROUD-IMPELLER
5	3307152	1	WELD-MOTOR MNT IMP
6	3307187	4	SPACER 1-IMPELLER PLTD SW/A
7	3315347	1	EXHAUST-IMPELLER
8	3316832	1	MOTOR-HYD IMP 0.323 CIR
-	3337986	1	KIT-HYDRAULIC IMP SEAL
9	3322121	1	MNT-IMPELLER MOTOR
10	3333915	3	ISOLATOR - RUBBER, 1.5 X 1 LG, 3/8-16 THREAD
11	3335192	1	WELD-IMPELLER MOUNT, ARMA
12	3335458	2	GASKET- TOP IMPELLER, ARMA
13	3335459	2	GASKET- BOTT IMPELLER, ARMA
14	3400016	4	SCREW-FLAT HEAD 5/16-18 X 1.25, SOC ZP
15	3400028	4	SCR-HEX 3/8 -16X1.50 ZP
16	711380	4	NUT-NYLOC 3/8-16 ZP
17	711374	4	NUT-HEX 5/16-18 ES ZP
18	711373	2	NUT-HEX 1/4-20 ES ZP
19	3400088	4	WASHER 5/16 ID .688 OD X .065 THK
20	3400089	4	WASHER 1/4 ID .63 OD X .065 THK
21	675523	2	FTG-ORFS 90 ELBOW -8 -8 SAE
22	3400278	4	WASHER-FENDER 3/8 ZP
23	3400420	1	NUT-HEX 5/16-24 ES
24	675508	1	FTG-4R50X-S
25	3402008	2	SCR-HEX,1/4-20 x 3.50 ZP

IMPELLER ASSEMBLY (SERIAL 22PB1765 AND AFTER)



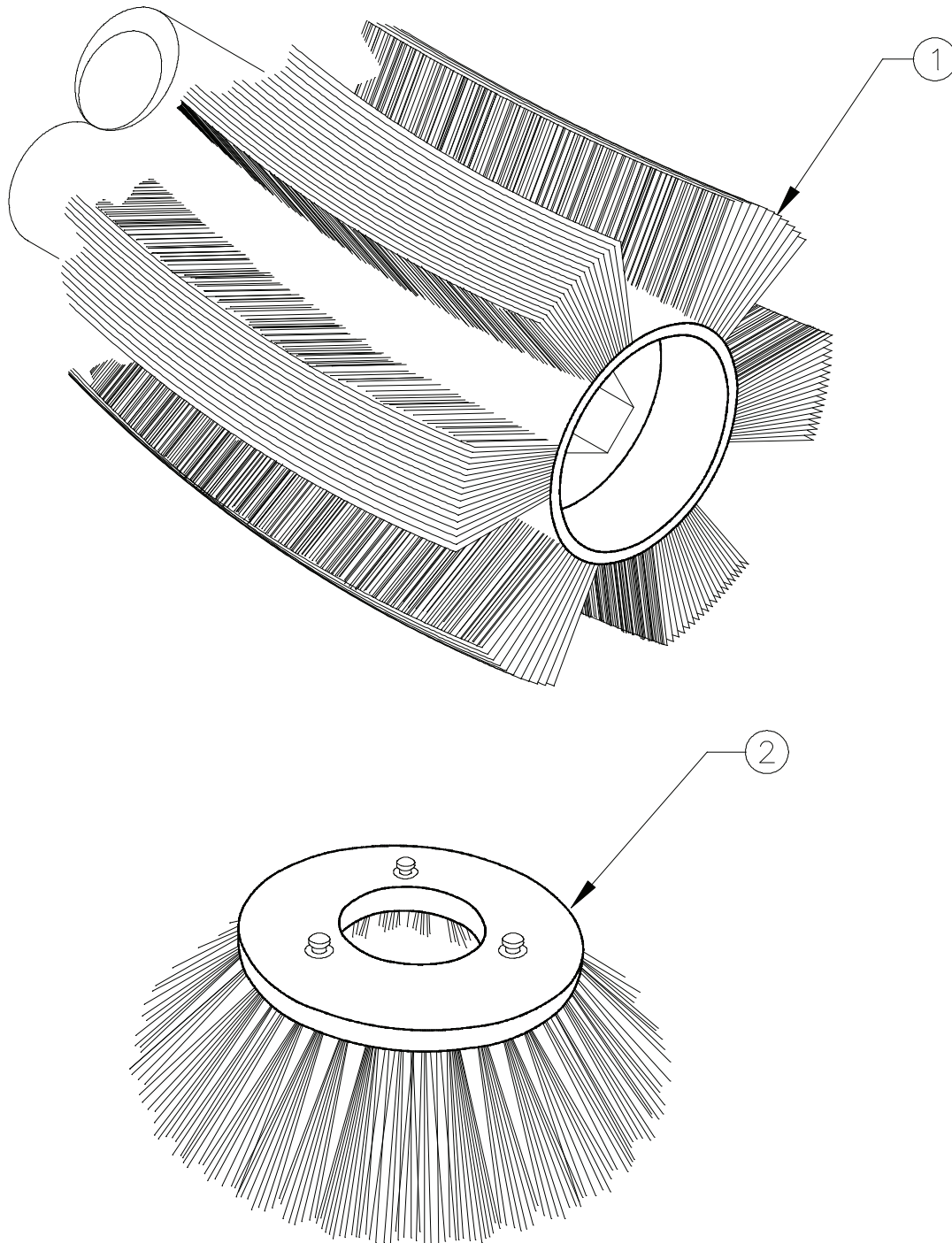
IMPELLER ASSEMBLY			
ITEM	PART NO.	REQ'D	DESCRIPTION
1	600668	1	KEY, 3.19 X 3.18 X 15 MM (SERVICE)
2	675523	1	FTG-ORFS 90 ELBOW -8 -8 SAE
3	675525	1	FTG-ORFS TEE -8 -8 -8 SAE
4	675546	1	FTG-ORFS 90 ELBOW -4 -6 SAE
5	711373	14	NUT-NYLOC 1/4-20 ZP
6	711374	4	NUT-NYLOC 5/16-18 ZP
7	711380	4	NUT-NYLOC 3/8-16 ZP
8	3300465	4	ISOLATOR-RUBBER (.375ID X .81OD)
9	3307003-1	1	BLADE-IMPELLER, MARZOCCHI
10	3307003-2	1	SPACER, IMPELLER, MARZOCCHI
11	3307004	1	SHROUD-IMPELLER SW/A
12	3307152	1	IMP MOTOR MNT
13	3307187	4	SPACER-IMPELLER ZP SW/A
14	3315347	1	TRANSITION-PLASTIC IMPELLER EXHAUST (9X)
15	3322121	1	MNT-IMPELLER MOTOR, CIRCULAR
16	3333915	3	ISOLATOR-RUBBER 1.5" DIA x1" 3/8-16 THD
17	3335192	1	IMPELLER MOUNT, ARMA
18	3335458	2	GASKET-TOP IMPELLER, ARMA
19	3335459	2	GASKET-BOTT IMPELLER, ARMA
20	3400016	4	SCR-FHSCS 5/16-18 X 1.25 ZP
21	713044	4	SCR-HH 3/8-16 X 1.50 ZP GR 5
22	711506	4	WASHER-FLAT 5/16 X.688 X .065 ZP
23	711519	4	WASHER-FENDER 1/4 X 1.00 ZP
24	3400278	4	WASHER-FENDER 3/8 X 1.25 ZP
25	3402008	2	SCR-HH 1/4-20 X 3.50 ZP GR 5
26	12040051	1	NUT-NYLOC M8 X 1.25 ZP CLASS 8
27	3316832MZ	1	MOTOR-HYD, .284CI, CCW ROT, IMPELLER

MAIN BROOM ASSEMBLY



MAIN BROOM ASSEMBLY			
ITEM	PART NO.	REQ'D	DESCRIPTION
1	600264	1	HANDLE GRIP
2	3338296	1	WELD-ROD,MAIN BROOM, UPPER, 9X,ZP
3	3400084	1	NUT-WING 1/2-13
4	3400091	1	WASHER-FENDER 1/2
5	3300352	1	KNOB-MAIN BROOM LIFT ADJUST
6	3335112P	1	WELDMENT-MAIN BROOM PIVOT LIFT
7	3334984	1	ROD-LIFT MAIN BROOM
8	3301447	1	CLEVIS-CABLECRAFT AC-218
9	3301285	1	RETAINER-MAIN BROOM DRIVER HUB
10	731304	1	HUB-MAIN BROOM DRIVE
11	675523	1	FTG-STR THD ELBOW -8 ORFS TO -8 SAE
12	3338661	1	MOTOR-HYD MAIN BROOM
13	3330338	1	KEY-SHAFT D-FOSS CB/MB/SC MOTORS
14	3307337	3'	GASKET-MAIN BROOM ARM
15	3307338	3'	RETAINER-GASKET MAIN BROOM ARM
16	3350101	1	MAIN BROOM MNT10X
17	3307181	1	SPACER-MAIN BROOM
18	3300432	2	BUSHING-FL-52-4
19	690111	2	PIN-DOWEL, .375x1.25, SS
20	3305667	1	BEARING-MAIN BROOM
21	3305642P	1	HUB-BROOM IDLER
22	3400047	2	SCR-SOCKET, 5/16-18x0.75
23	3305666	1	RING-RETAINING MAIN BROOM
25	3335220	1	MAIN BROOM PLT
26	3400748	1	KNOB-HAND 1/2-13x1-1/2 DOG POINT
27	3335196	1	PLATE-LIFT ARM, MAIN BROOM, ARMA
28	712305	1	WASHER, FENDER 5/8 X 2 X .125 ZINC
29	712029	1	SCR-HH 5/8-11 X 1.00 ZP GR 5
30	3333672	1	SPACER-MB LIFT ROD
31	712315	1	WASHER SR-HELICAL .64 X 1.26 X .06 ZINC
32	3335908	1	RING-NILOS, 2.55"OD
33	3400086	1	WASHER-FLAT 1/2 STANDARD ZP
34	3400098	1	WASHER-LOCK 1/2 SPLIT ZP

SIDE BROOM & MAIN BROOM



SIDE BROOM & MAIN BROOM			
ITEM	PART NO.	REQ'D	DESCRIPTION
1	3321123-PH	1	BROOM-MAIN 56" PROEX & WIRE, PH (STANDARD)
	3315722-PH	1	BROOM-HIGH DENSITY NYLON 56", PH
	3315724-PH	1	BRM-MAIN NYLON 56", PH
	3315812-PH	1	BRM-MAIN HI DEN FIBER/WIRE 56", PH
2	3339964	1	BROOM, SIDE 26" POLY (STANDARD)
	3339963	1	BROOM, SIDE 26" NYLON

Main Broom User's Guide

Proex & Wire - Slightly encrusted soilage & dusty conditions. High heat.

Nylon - General purpose broom with long life bristles.

Poly Proex - All purpose broom that stands up well on rough surfaces.

High Density Nylon - Highly effective for small particle soilage. Severe dust environments.

Crinkle Wire - Stiff bristles for compacted grime, oil, grease or mud. Fair to good broom life.

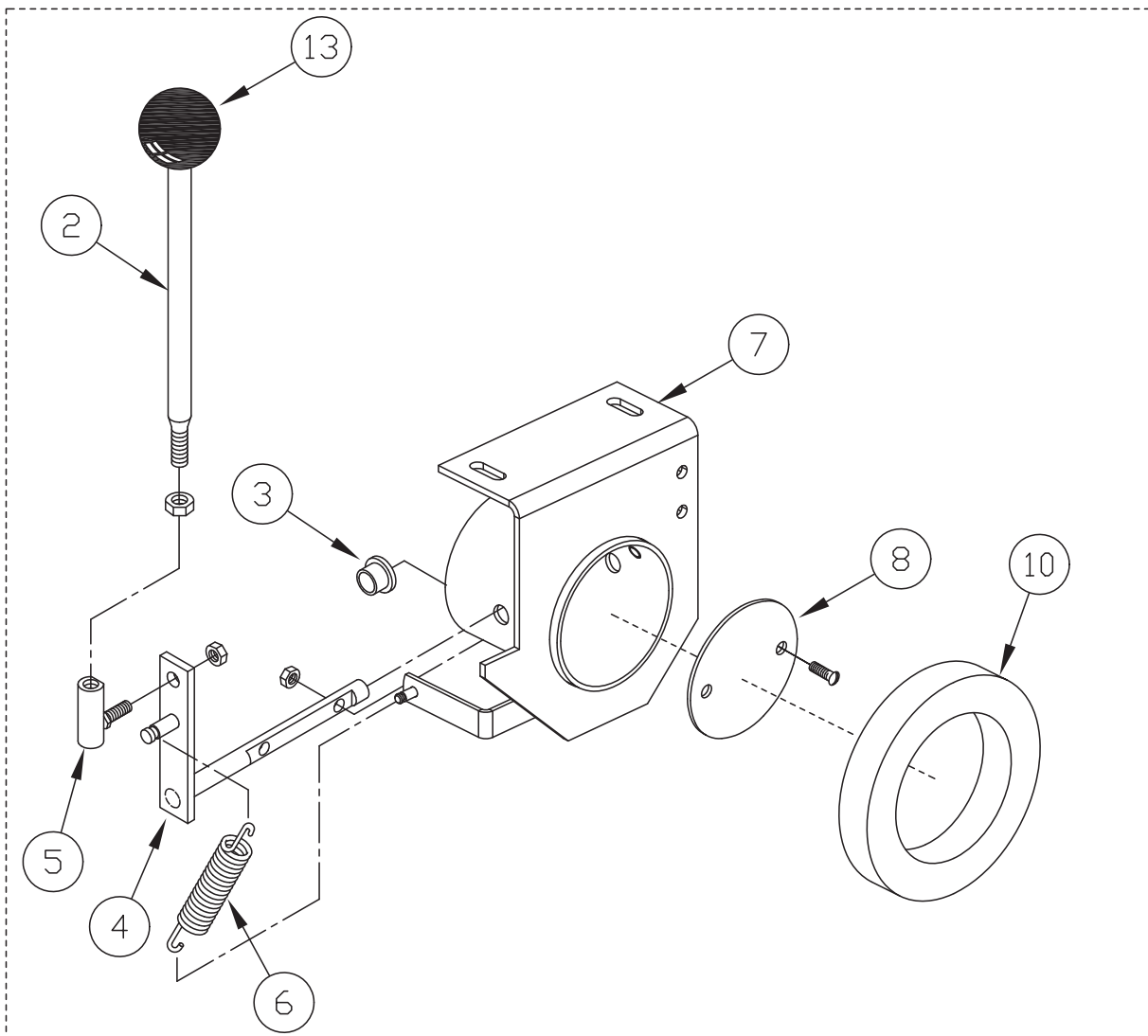
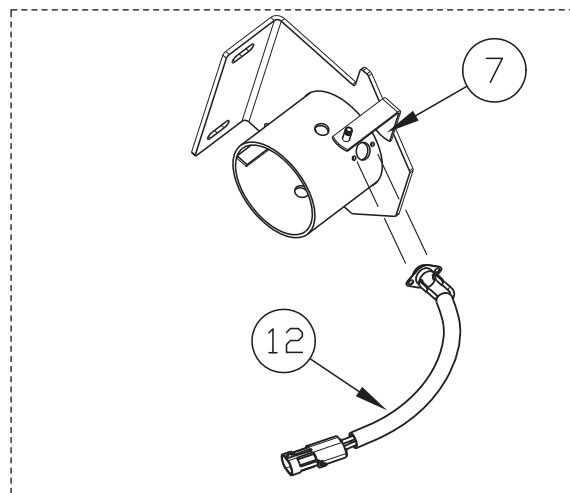
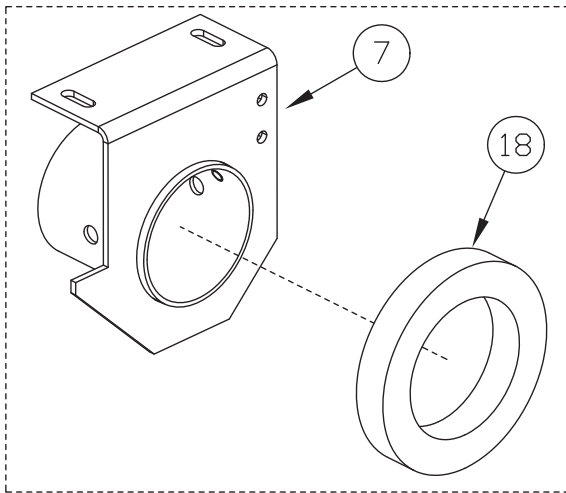
Natural Fiber & Wire - Good all around broom. Good for high heat applications.

Side Broom User's Guide

Poly - Stiff bristles for aggressive sweeping of mainly heavy litter. Not suited for high heat.

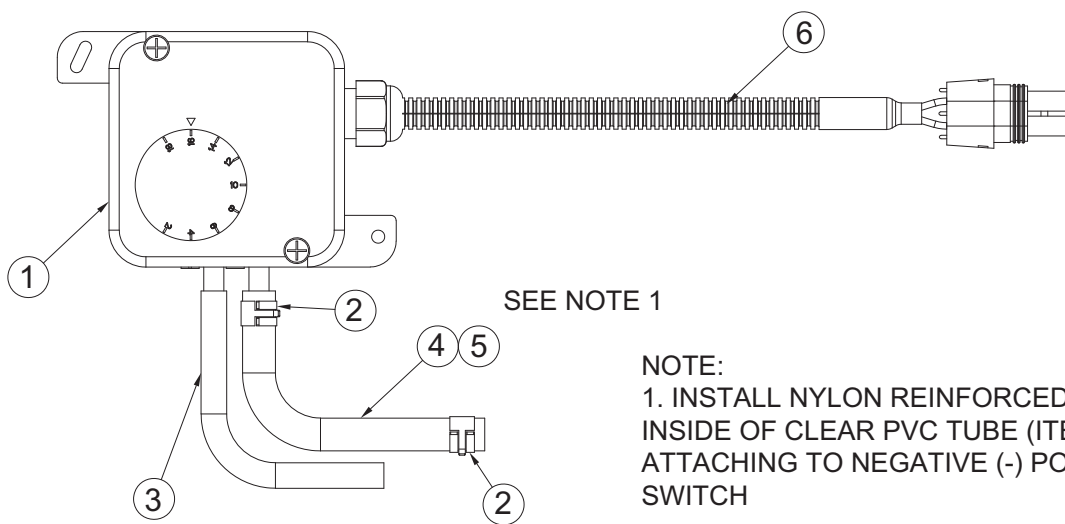
Nylon - Provides longest life. Recommended for tough sweeping jobs.

GASKET MOUNT ASSEMBLY



GASKET MOUNT ASSEMBLY			
ITEM	PART NO.	REQ'D	DESCRIPTION
2	3350206	1	ROD-IMPELLER BAFFLE
3	810012	2	WASHER SHOULDER NYLON 1"OD .382ID
4	3307155	1	WELDMENT ROD GASKET MOUNT BAFFLE
5	3301199	1	BALL JOINT-1/4-28
6	3304160	1	SPRING-EXTENSION, 2.00 LG
7	650104	1	WELDMENT-GASKET MOUNT,
8	3301498	1	DAMPER-HOPPER SHUTOFF,
10	3307005	1	GASKET-IMPELLER
12	748504-1	1	THERMOSTAT ASSEMBLY
13	3300563	1	KNOB-PLASTIC BALL 1" DIA, BLACK
18	3307005	1	GASKET-IMPELLER

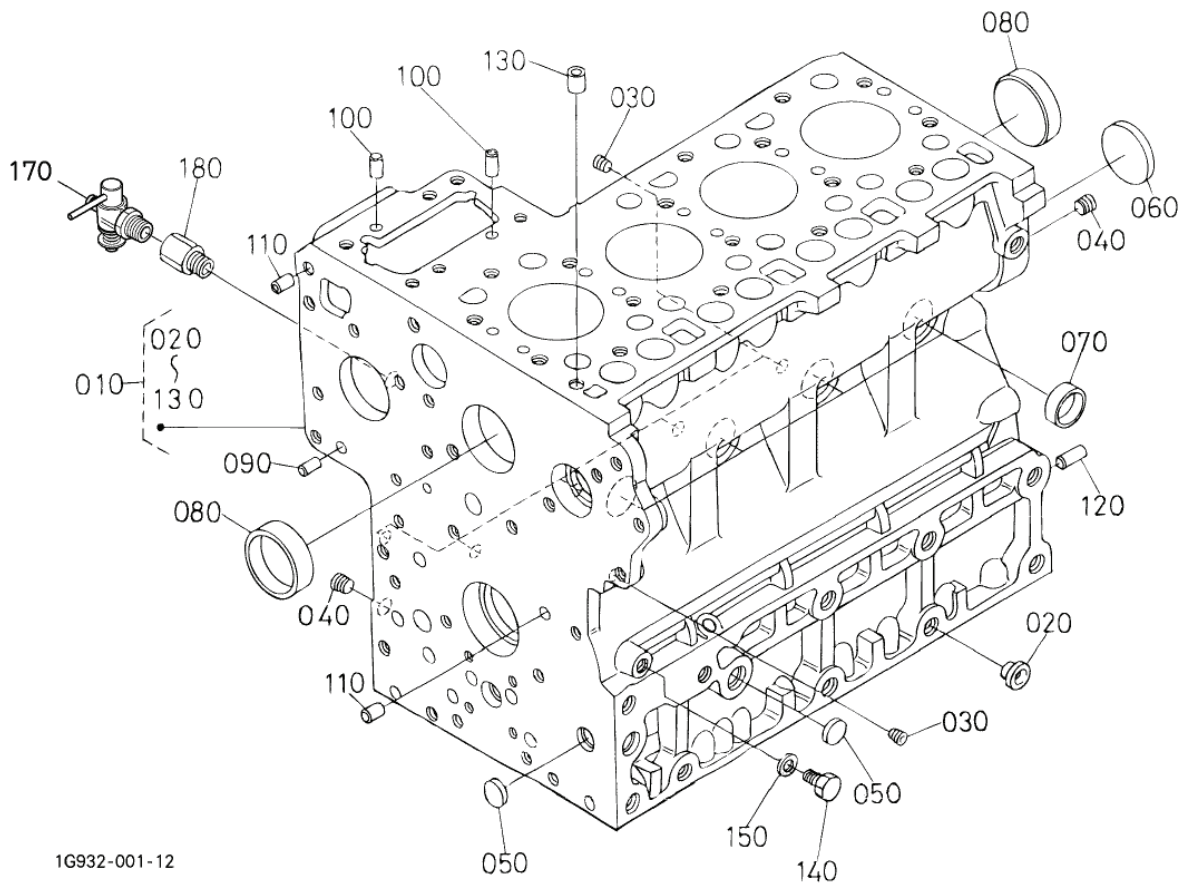
VACUUM SWITCH



NOTE:
1. INSTALL NYLON REINFORCED TUBE (ITEM #5)
INSIDE OF CLEAR PVC TUBE (ITEM #4) BEFORE
ATTACHING TO NEGATIVE (-) PORT ON PRESSURE
SWITCH

VACUUM SWITCH			
ITEM	PART NO.	REQ'D	DESCRIPTION
1	690083	1	SWITCH, DIFFERENTIAL PRESSURE, 2" TO 18
2	690225	2	CLAMP - UNICLAMP .460 DIA STEEL
3	690958	1	HOSE-NYLO REINF 1/8 X 4"
4	690439	1	HOSE-PVC CLEAR 14", 5/16" ID, 7/16"OD
5	690959	1	HOSE-NYLO REINF 1/8 X 1"
6	748713	1	WIRE HARNESS - CLOG FILTER
7	3400315	2	SCR-HEX,#10-32X0.50 (Not Shown)
8	711350	2	NUT-HEX JAM #10-32 ES (Not Shown)

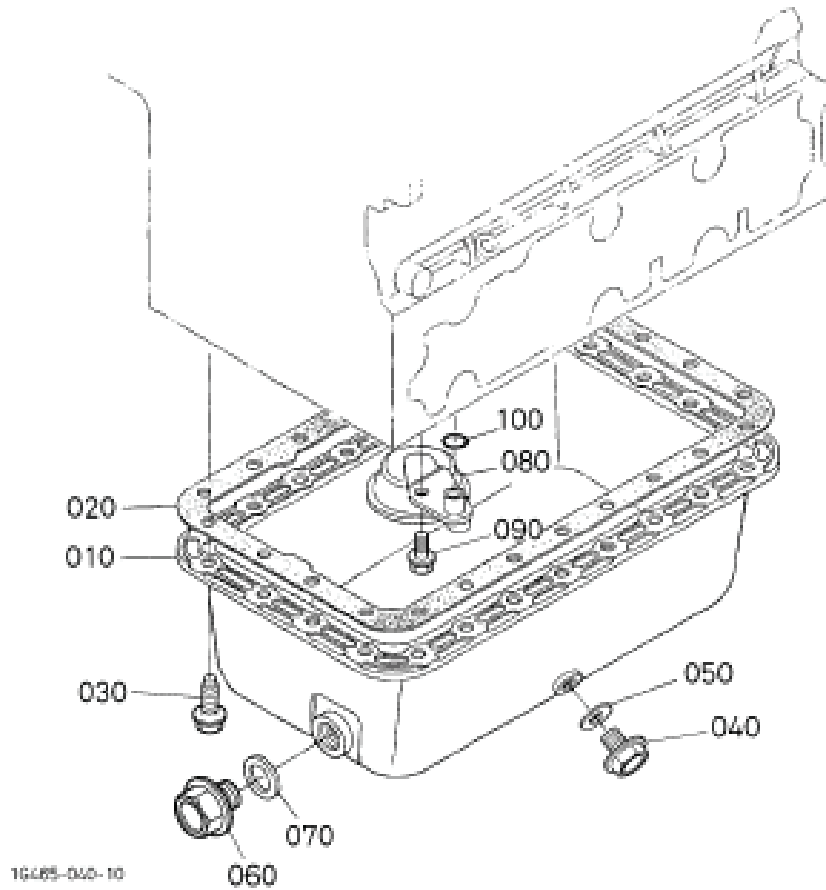
2203 KUBOTA ENGINE PARTS BREAKDOWN 2203 KUBOTA ENGINE BLOCK ASSY



1G932-001-12

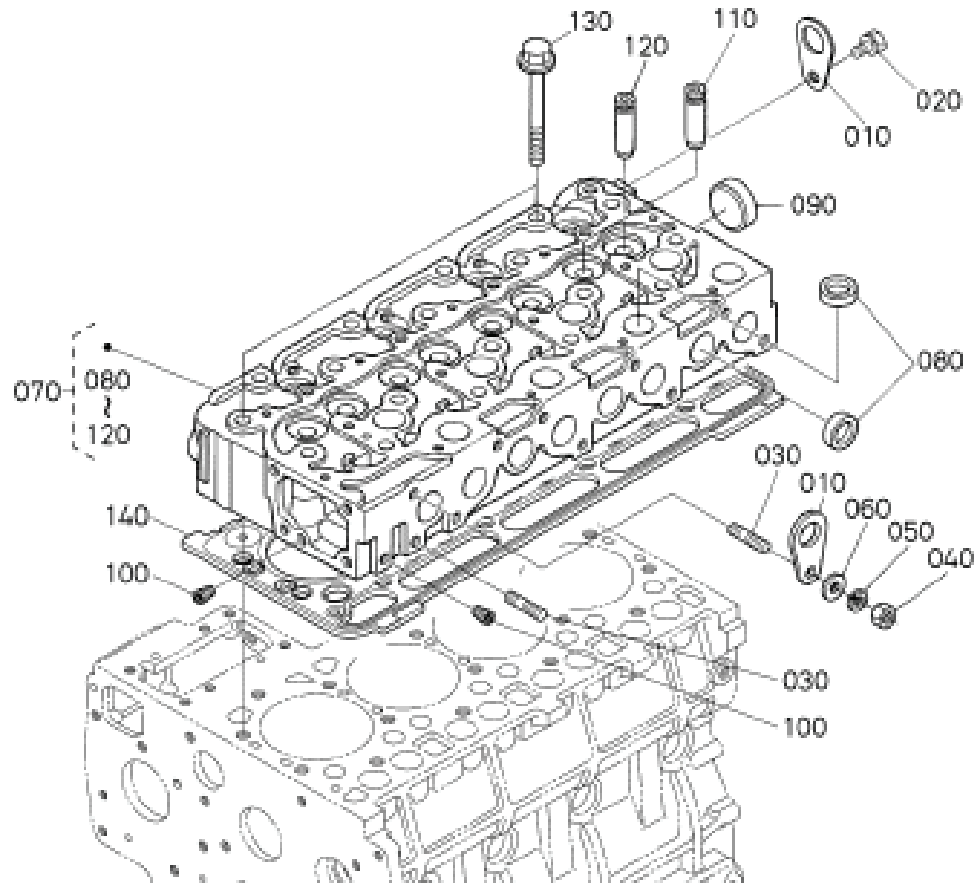
2203 KUBOTA ENGINE BLOCK ASSY			
ITEM	PART NO.	REQ'D	DESCRIPTION
010	3338322	1	COMP.CRANKCASE
020	3331581	2	PLUG-260
030	3331556	6	PLUG-20
040	3331557	2	PLUG-030
050	3331558	3	PLUG-040
060	3338323	1	PLUG,EXPANSION
070	3331560	6	CAP, SEALING -060
080	3331561	2	CAP, SEALING-070
090	3331562	2	PIN, STRAIGHT-080
100	3331563	3	PIN, STRAIGHT-090
110	3331564	2	PIN, STRAIGHT-100
120	3331565	1	PIN, STRAIGHT-110
130	3331566	1	PIN, PIPE-120
140	3338324	1	PLUG
150	3331569	1	GASKET-150
160	BLANK	-	NOT USED
170	3331567	1	COCK, DRAIN-130
180	3331579	1	JOINT, DRAIN COCK-240

2203 KUBOTA ENGINE OIL PAN



2203 KUBOTA ENGINE OIL PAN			
ITEM	PART NO.	REQ'D	DESCRIPTION
010	3303922	1	PAN-OIL KUBOTA (SP)
020	3338325	1	GASKET-OIL PAN
030	3338326	24	BOLT-FLANGE
040	3338327	1	PLUG-DRAIN
050	3338328	1	GASKET-OIL PAN
060	3331591	1	PLUG, DRAIN-090
070	3305252	1	WASHER-KUBOTA OIL DRAIN FTG
080	3331588	1	FILTER, OIL-060
090	3338329	1	BOLT-FLANGE
100	3338330	1	O-RING

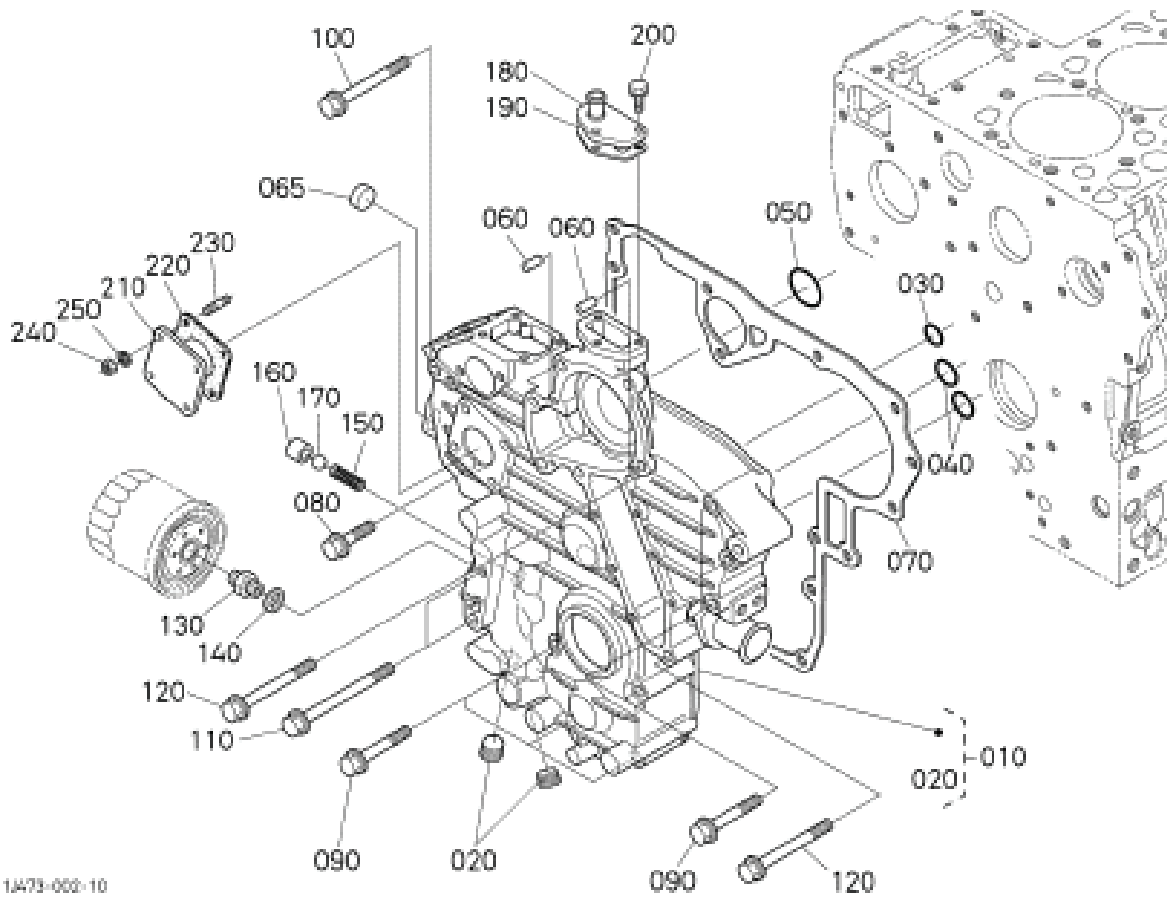
2203 KUBOTA ENGINE CYLINDER HEAD



1J464-002-10

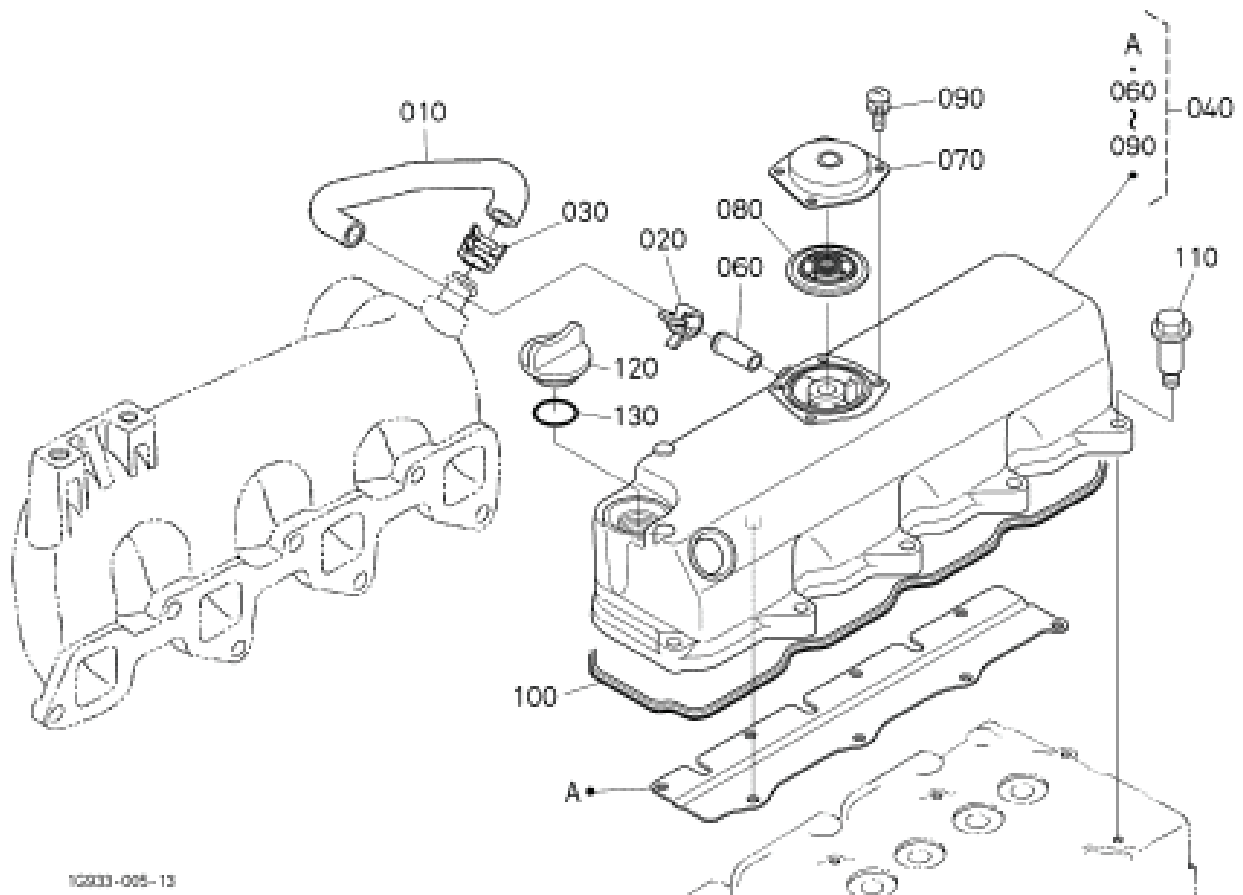
2203 KUBOTA ENGINE CYLINDER HEAD			
ITEM	PART NO.	REQ'D	DESCRIPTION
010	3331593	2	HOOK, ENGINE -010
020	3331595	1	BOLT-030
030	3331596	2	STUD-040
040	3331597	1	NUT-050
050	3338331	1	WASHER-SPRING
060	3331599	1	WASHER, PLAIN -070
070	3334291	1	CYL HEAD COMPLETE KBA 2203 EMIS COMP
080	3331603	12	CAP, SEALING-090
090	3331604	1	CAP, SEALING-100
100	3331605	2	PLUG-110
110	3331606	4	GUIDE, INLET VALVE -120
120	3338332	4	GUIDE-VALVE EXHAUST
130	3331608	18	BOLT, CYLINDER HEAD -140
140	3338333	1	GASKET-CYLINDER HEAD (1.15 MM)
140	3334292	1	GASKET-CYL HEAD KBA 2203 EMIS COMP (1.20 MM)

2203 KUBOTA ENGINE GEAR CASE



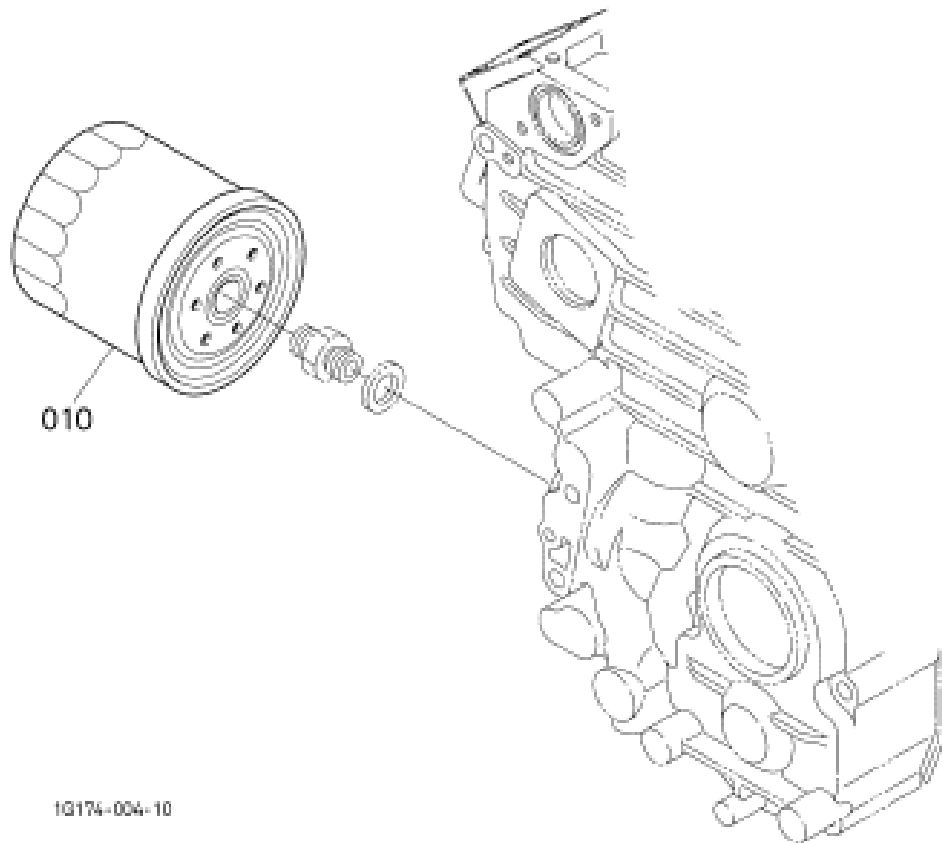
2203 KUBOTA ENGINE GEAR CASE			
ITEM	PART NO.	REQ'D	DESCRIPTION
010	3334299	1	GEAR CASE COMPLETE KBA 2203 EMIS COMP
020	--XXX--	-	NOT SOLD SEPARATELY
030	3338334	1	O-RING
040	3338335	2	O-RING
050	3338336	1	O-RING
060	3331564	2	PIN, STRAIGHT-100
065	3334300	1	PLUG-WELCH KBA 2203 EMIS COMP
070	3334301	1	GASKET-TIMING GEAR CASE KBA 2203 EMIS
080	3338337	1	BOLT-FLANGE
090	3338338	7	BOLT-FLANGE
100	3338339	1	BOLT-FLANGE
110	3338340	2	BOLT-FLANGE
120	3338341	4	BOLT-FLANGE
130	--XXX--	-	NOT SOLD SEPARATELY
140	--XXX--	-	NOT SOLD SEPARATELY
150	3331546	1	BURNER- ELBOW
160	3331647	1	SEAT, VALVE-200
170	3331648	1	BALL-210
180	3331649	1	FLANGE, WATER RETURN-220
190	3338342	1	GASKET-RETURN FLANGE
200	3331652	3	BOLT-240
210	3331621	1	COVER-340
220	3338343	1	GASKET-HOUR METER
230	3331624	4	STUD-360
240	3331620	4	NUT-330
250	3331575	4	WASHER, SPRING -200

2203 KUBOTA ENGINE HEAD COVER



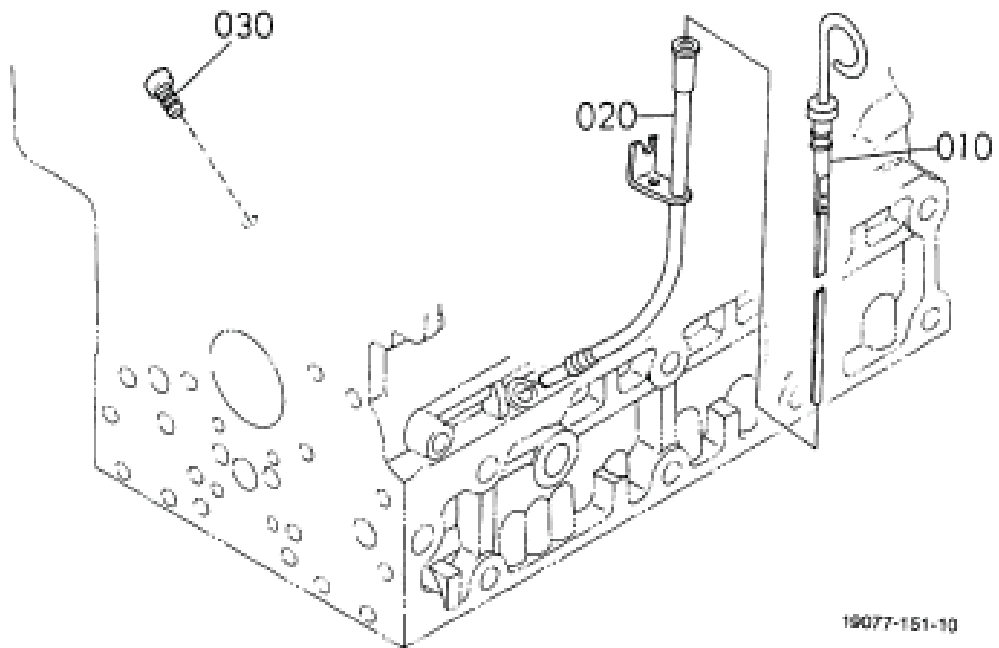
2203 KUBOTA ENGINE HEAD COVER			
ITEM	PART NO.	REQ'D	DESCRIPTION
010	3334282	1	TUBE-BREATHER KBA 2203 EMIS COMP
020	3334283	1	CLAMP-BREATHER TUBE KBA 2203 EMIS COMP
030	3334284	1	CLAMP-BREATHER TUBE KBA 2203 EMIS COMP
040	3334285	1	COVER-CYL HEAD KBA 2203 EMIS COMP
050	BLANK	-	NOT USED
060	3332027	1	PIPE WATER RETURN -020
070	3334287	1	COVER-BREATHER KBA 2203 EMIS COMP
080	3334288	1	BREATHER-VALVE COMPLETE KBA 2203 EMIS COMP
090	3338344	4	SCREW- WITH WASHER
100	3334289	1	GASKET-CYL HEAD COVER KBA 2203 EMIS COMP
110	3334290	10	BOLT-CYL HEAD COVER KBA 2203 EMIS COMP
120	PBK15852-33140	1	PLUG-OIL HEAD COVER
130	3338345	1	O-RING

2203 KUBOTA ENGINE OIL FILTER



1Q174-004-10

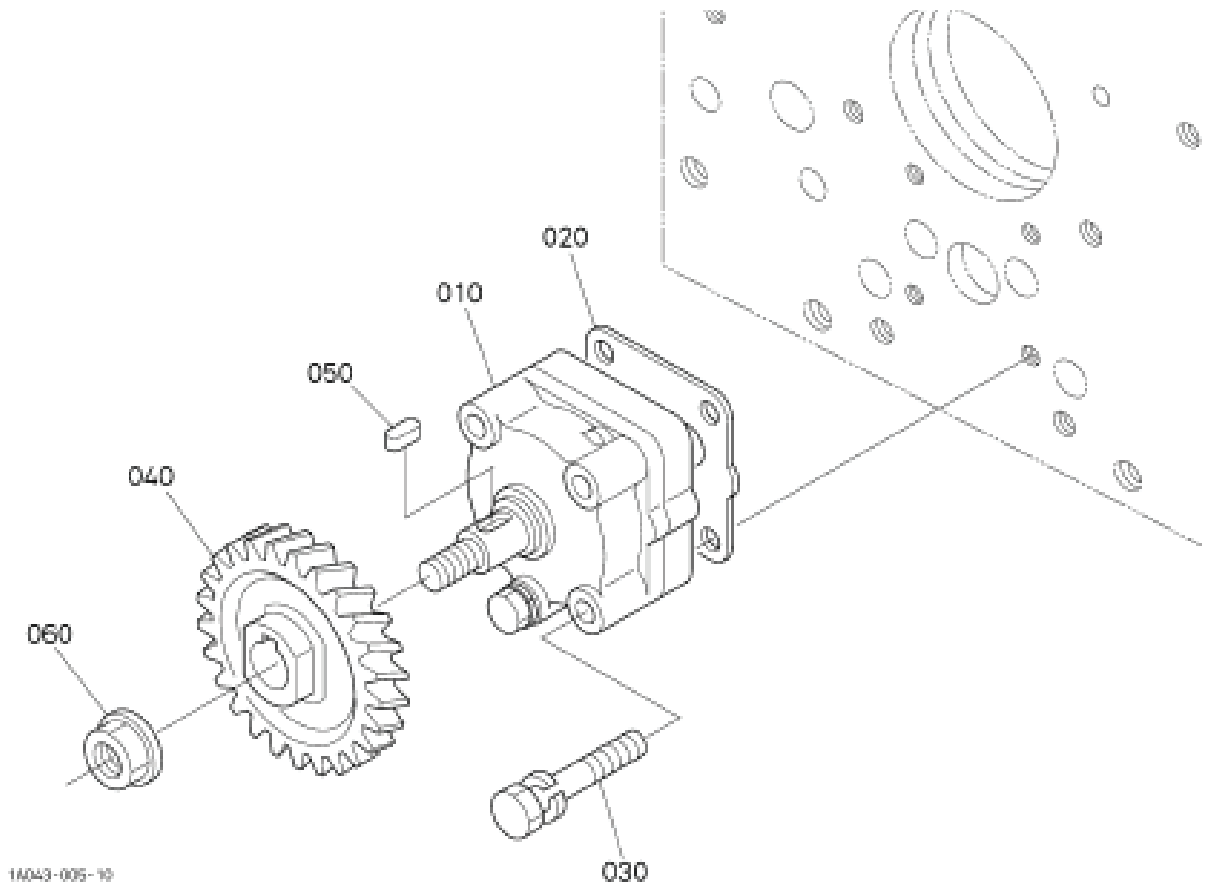
2203 KUBOTA ENGINE OIL FILTER			
ITEM	PART NO.	REQ'D	DESCRIPTION
010	3331667	1	CARTRIDGE, OIL FILTER -010



19077-151-10

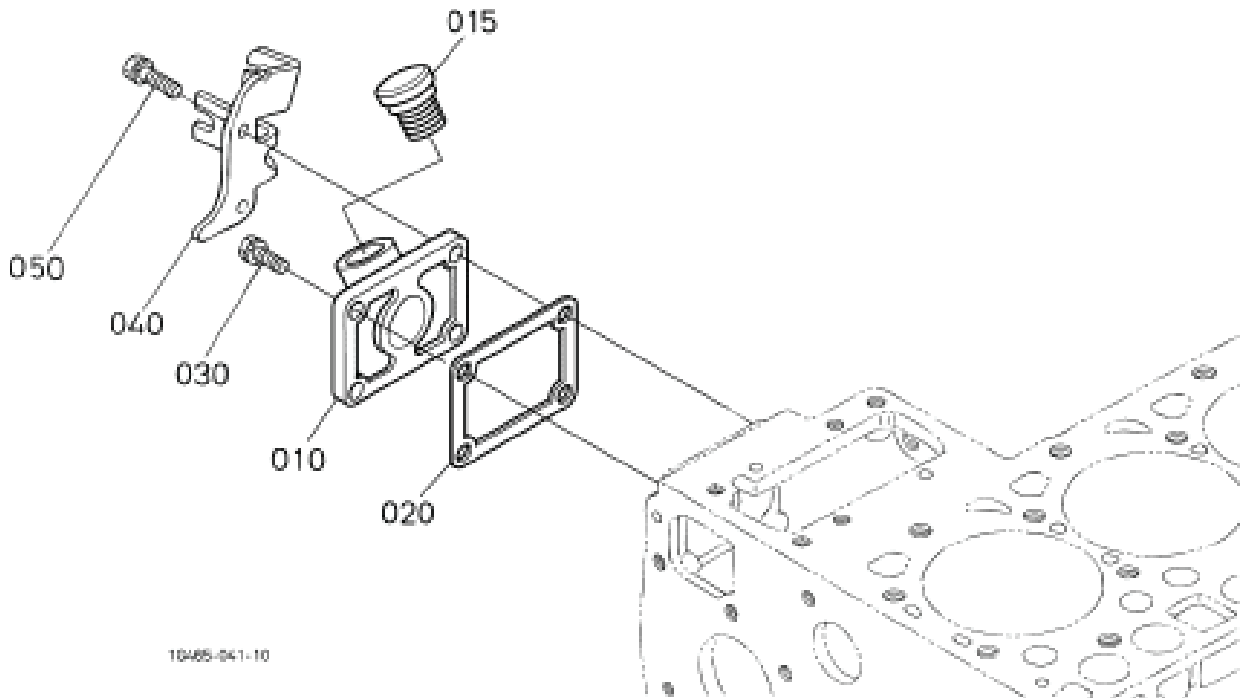
2203 KUBOTA ENGINE DIPSTICK AND GUIDE			
ITEM	PART NO.	REQ'D	DESCRIPTION
010	3338346	1	GAUGE-OIL
020	3329916	1	V2203-KUBOTA TUBE DIPSTICK(SP)
030	3336926	1	PLUG, OIL GAUGE KUBOTA

2203 KUBOTA ENGINE OIL PUMP



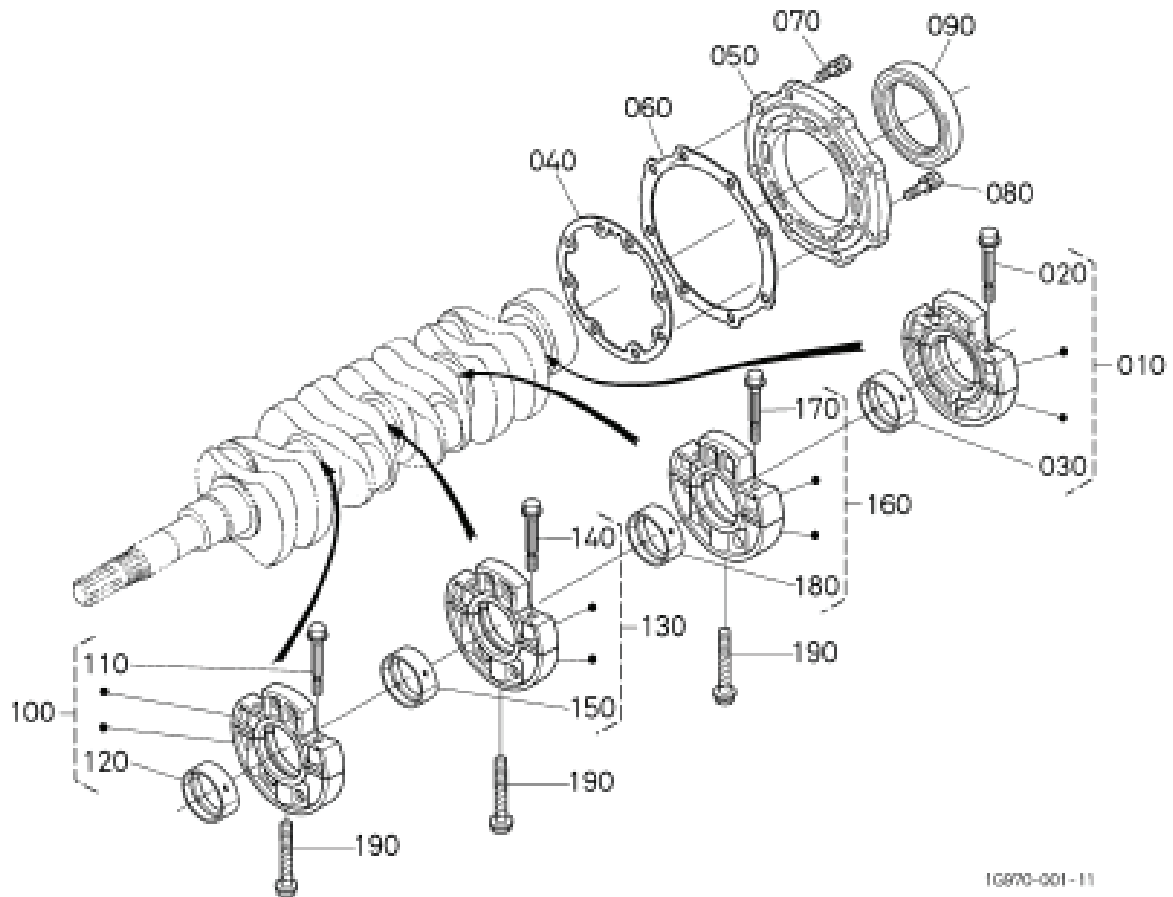
2203 KUBOTA ENGINE OIL PUMP			
ITEM	PART NO.	REQ'D	DESCRIPTION
010	3338347	1	ASSY-OIL PUMP
020	3338348	1	GASKET-OIL PUMP
030	3338349	4	BOLT
040	3331576	1	GEAR, OIL PUMP DRIVE-210
050	3331577	1	KEY, FEATHER-220
060	3331578	1	NUT, FLANGE-230

2203 KUBOTA ENGINE OIL FILLER FLANGE



2203 KUBOTA ENGINE OIL FILLER FLANGE			
ITEM	PART NO.	REQ'D	DESCRIPTION
010	--XXX--	-	NOT SOLD SEPARATELY
015	3338350	1	PLUG-OIL FILLER
020	3338351	1	GASKET-PUMP COVER
030	3331776	2	BOLT-150
040	3338352	1	BRACKET,ACCEL.CABLE
050	3338353	2	BOLT

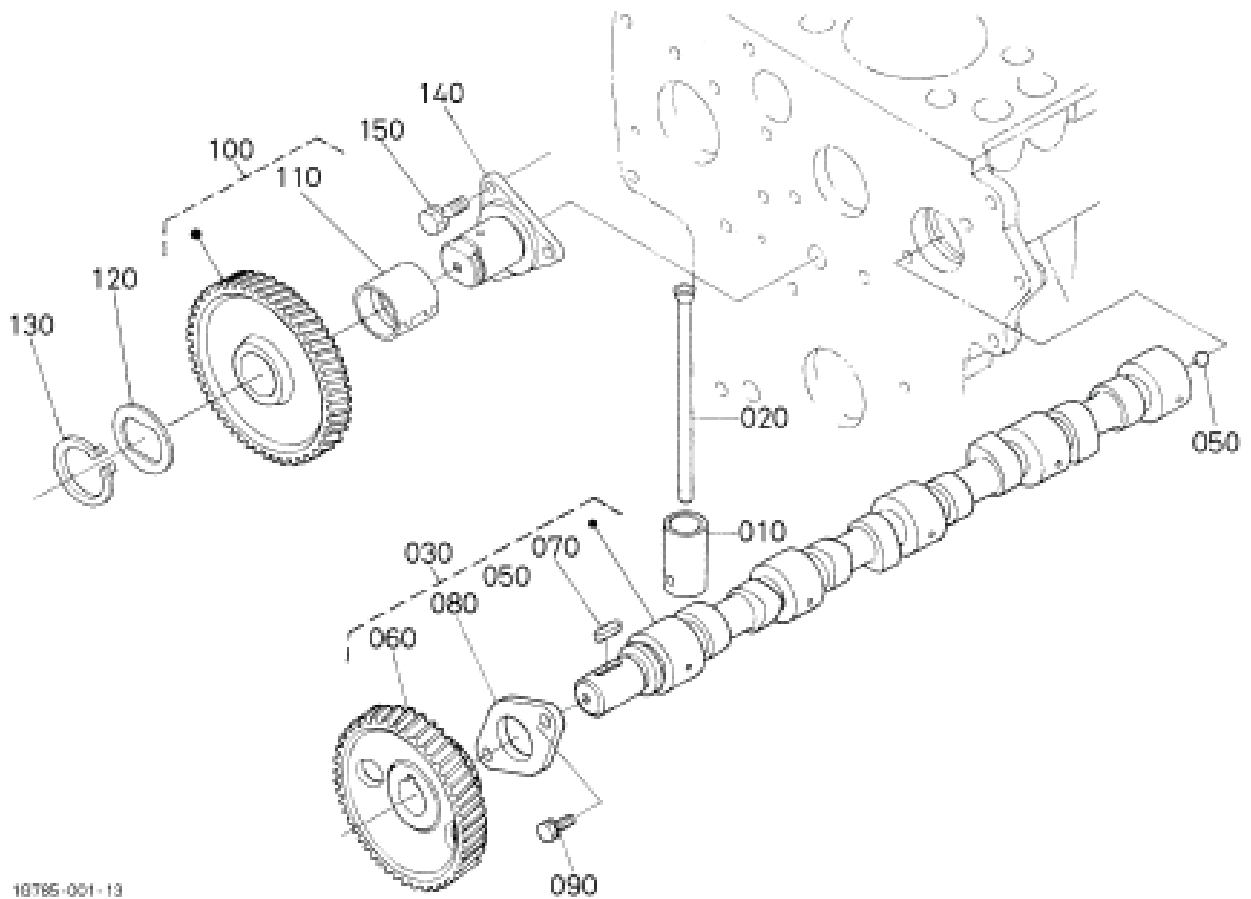
2203 KUBOTA ENGINE MAIN BEARING CASE



1G970-001-11

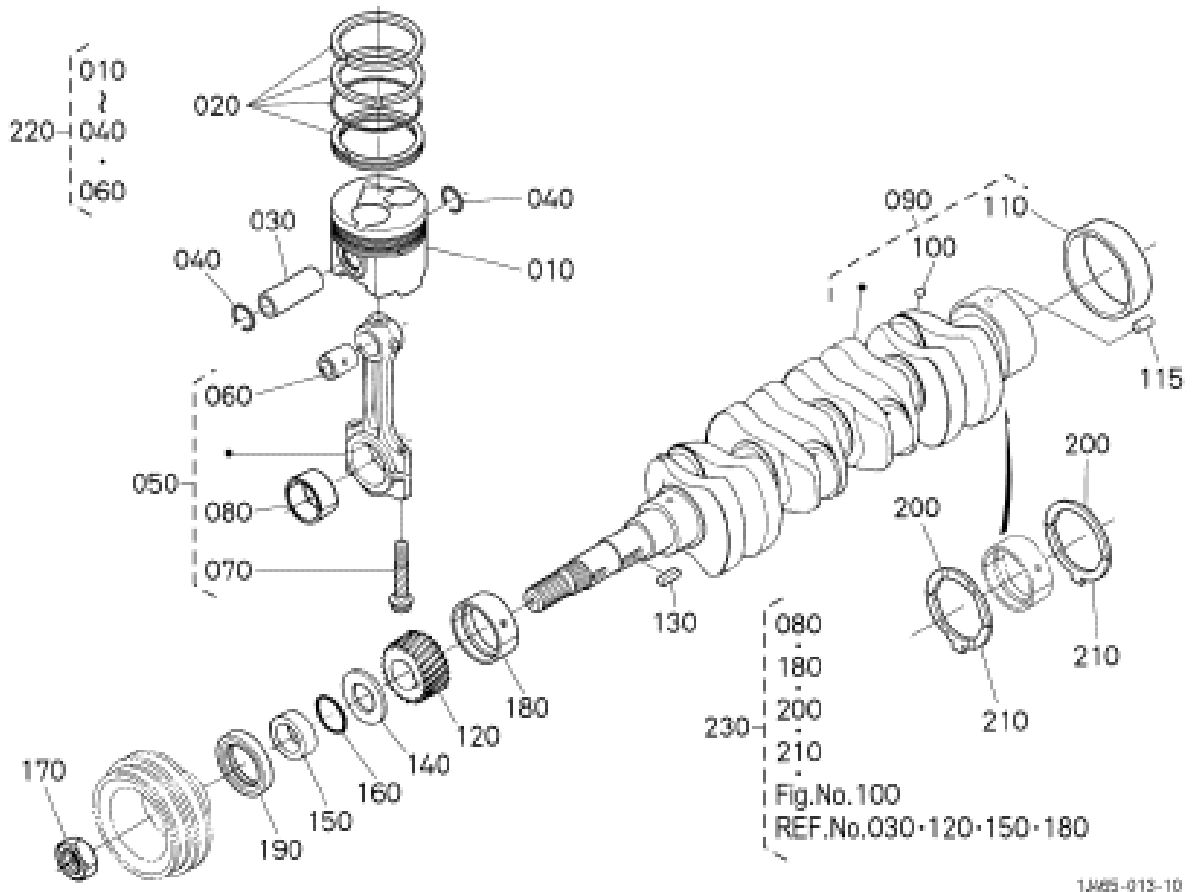
2203 KUBOTA ENGINE MAIN BEARING CASE			
ITEM	PART NO.	REQ'D	DESCRIPTION
010	3338354	1	ASSY-BRG. CASE WHEEL
020	--XXX--	-	NOT SOLD SEPARATELY
030	--XXX--	-	NOT SOLD SEPARATELY
040	3338355	1	GASKET-BEARING CASE
050	3338356	1	COVER-BERING CASE
060	3338357	1	GASKET- CASE COVER
070	3331507	8	BOLT-060
080	3331508	8	BOLT-070
090	3338358	1	SEAL-OIL
100	3338359	1	ASSY-BRG. CASE MAIN
110	--XXX--	-	NOT SOLD SEPARATELY
120	--XXX--	-	NOT SOLD SEPARATELY
130	3338360	1	ASSY BRG.CASE,MAIN
140	--XXX--	-	NOT SOLD SEPARATELY
150	--XXX--	-	NOT SOLD SEPARATELY
160	3338361	1	ASSY BRG.CASE,MAIN
170	--XXX--	-	NOT SOLD SEPARATELY
180	--XXX--	-	NOT SOLD SEPARATELY
190	3331512	3	BOLT, BEARING CASE-110

2203 KUBOTA ENGINE CAMSHAFT AND IDLE GEAR SHAFT



2203 KUBOTA ENGINE CAMSHAFT AND IDLE GEAR SHAFT			
ITEM	PART NO.	REQ'D	DESCRIPTION
010	3331513	8	TAPPET-010
020	3331514	8	PUSH ROD -020
030	3338362	1	ASSY-CAMSHAFT
040	BLANK	-	NOT USED
050	3331692	1	BALL-100
060	--XXX--	-	NOT SOLD SEPARATELY
070	3331519	1	KEY, FEATHER-070
080	3331670	1	STOPPER, CAMSHAFT-080
090	3331671	2	BOLT-090
100	3338363	1	COMP. GEAR IDLE
110	--XXX--	-	NOT SOLD SEPARATELY
120	--XXX--	-	NOT SOLD SEPARATELY
130	--XXX--	-	NOT SOLD SEPARATELY
140	--XXX--	-	NOT SOLD SEPARATELY
150	3331671	3	BOLT-090

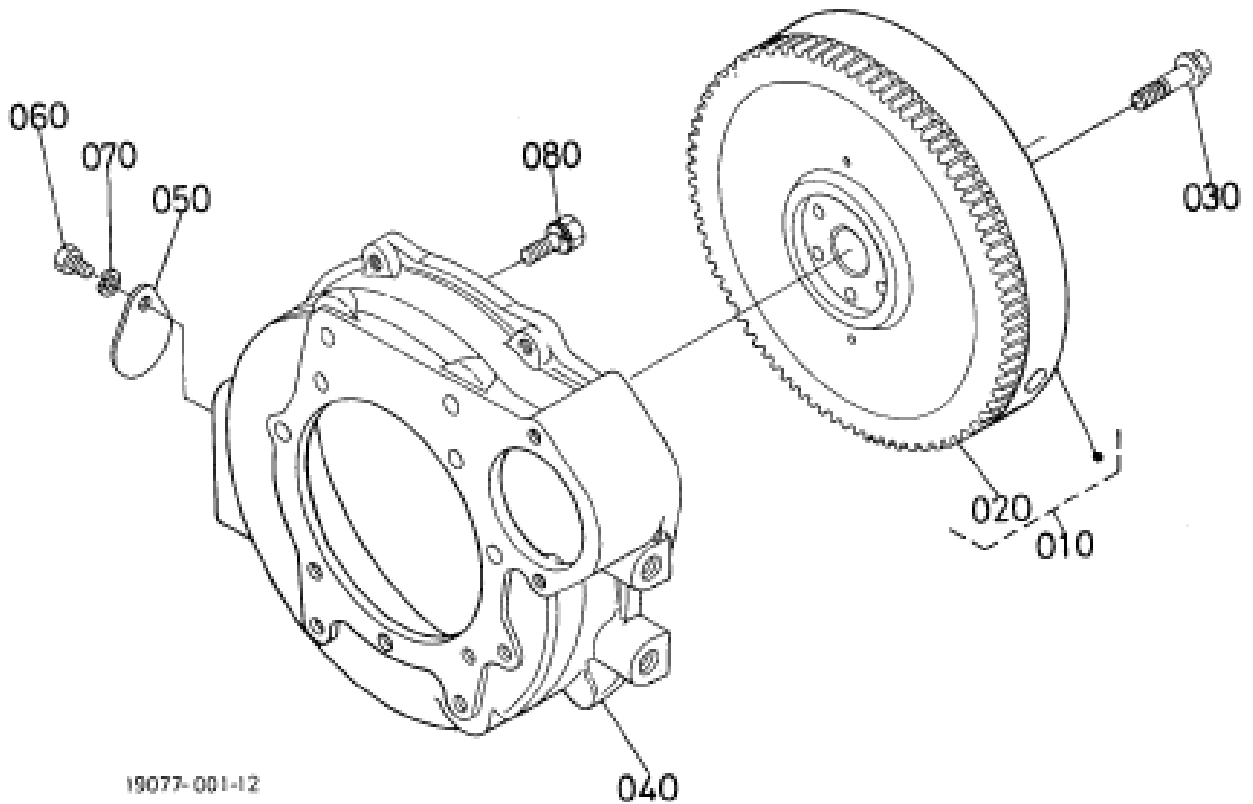
2203 KUBOTA ENGINE PISTON AND CRANKSHAFT



1.065-013-10

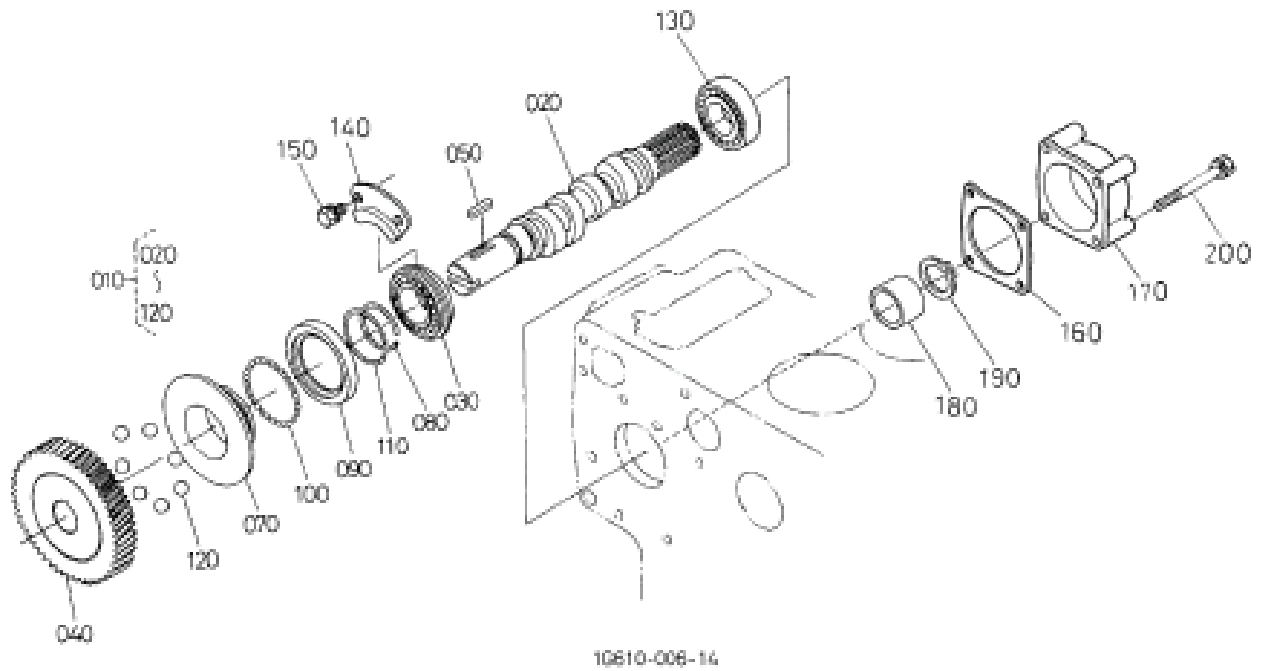
2203 KUBOTA ENGINE PISTON AND CRANKSHAFT			
ITEM	PART NO.	REQ'D	DESCRIPTION
010	--XXX--	-	NOT SOLD SEPARATELY
020	3338364	4	ASSY-PISTON RING (STD.)
020	3338365	4	ASSY-PISTON RING (+0.25 MM)
030	--XXX--	-	NOT SOLD SEPARATELY
040	--XXX--	-	NOT SOLD SEPARATELY
050	3331685	4	ASSY CONNECTING ROD-050
060	3331686	4	BUSH, PISTON PIN-060
070	3331687	8	BOLT, CONNECTING ROD-070
080	3331688	4	METAL, CRANKPIN STD SET
090	3338366	1	COMP. CRANKSHAFT
100	3331692	4	BALL-100
110	3329732	1	0.2MM SLEEVE CRANKSHAFT
120	--XXX--	-	NOT SOLD SEPARATELY
130	--XXX--	-	NOT SOLD SEPARATELY
140	3331696	1	SLINGER, OIL-150
150	3331697	1	COLLAR, CRANKSHAFT-160
160	3331698	1	O RING - 170
170	--XXX--	-	NOT SOLD SEPARATELY
180	--XXX--	-	NOT SOLD SEPARATELY
190	3330290	1	SEAL OIL
200	--XXX--	-	NOT SOLD SEPARATELY
210	--XXX--	-	NOT SOLD SEPARATELY
220	3338367	4	KIT-PISTON (STD.)
220	3338368	4	KIT-PISTON (+0.25 MM)
230	3338369	1	KIT-METAL ENGINE (STD.)
230	3338370	1	KIT-METAL ENGINE (-0.20 MM/+0.20 MM)
230	3338371	1	KIT-METAL ENGINE (-0.40 MM/+0.40 MM)

2203 KUBOTA ENGINE FLYWHEEL

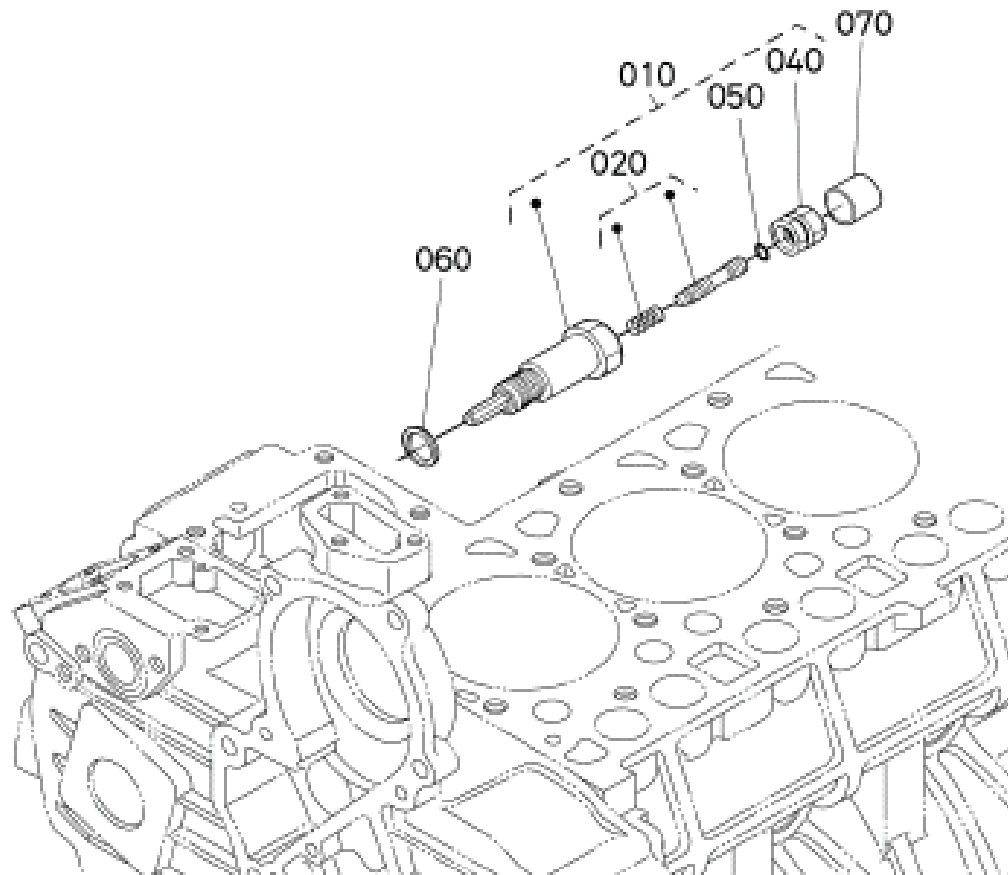


2203 KUBOTA ENGINE FLYWHEEL			
ITEM	PART NO.	REQ'D	DESCRIPTION
010	3338372	1	COMP. FLYWHEEL
020	3331715	1	GEAR, RING-020
030	3331716	6	BOLT, FLYWHEEL-030
040	3331717	1	HOUSING, FLYWHEEL-040
050	3331718	1	COVER-050
060	3331719	1	BOLT-060
070	3331598	1	WASHER, SPRING-060
080	3331721	11	BOLT, F/HOUSING-080

2203 KUBOTA ENGINE FUEL CAMSHAFT AND GOVERNOR SHAFT



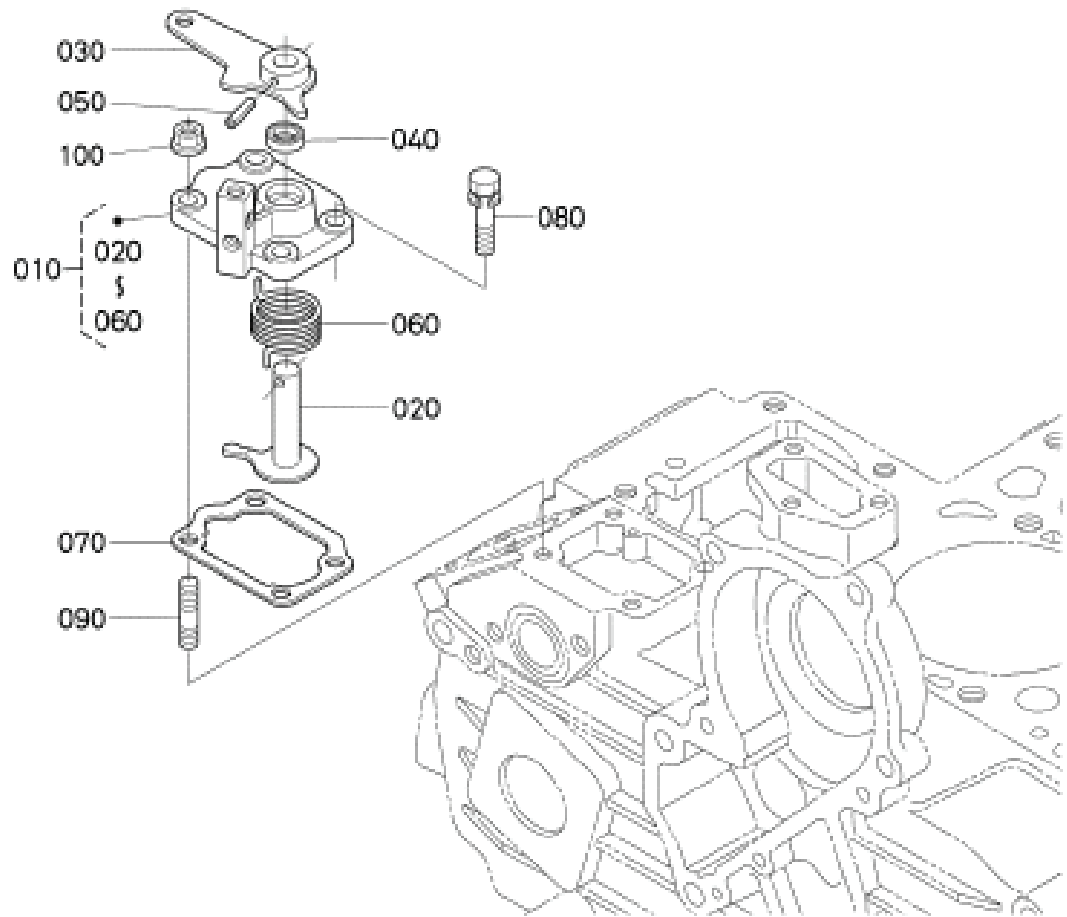
2203 KUBOTA ENGINE FUEL CAMSHAFT AND GOVERNOR SHAFT			
ITEM	PART NO.	REQ'D	DESCRIPTION
010	3338373	1	ASSY-CAMSHAFT FUEL
020	--XXX--	-	NOT SOLD SEPARATELY
030	3331739	1	BEARING, BALL-030
040	3331740	1	GEAR, INJECTION PUMP-040
050	3331741	1	KEY, FEATHER-050
060	BLANK	-	NOT USED
070	3331743	1	SLEEVE, GOVERNOR
080	3331744	1	CIR-CLIP, GOV. SLEEVE-080
090	3331745	1	CASE, GOVERNOR BALL-090
100	3331746	39	BALL-100
110	3331747	1	CIR-CLIP-110
120	3331748	7	BALL-120
130	--XXX--	-	NOT SOLD SEPARATELY
140	3331750	1	STOPPER,FUEL.C/SHAFT-140
150	3331589	2	BOLT-070
160	3338374	1	GASKET
170	--XXX--	-	NOT SOLD SEPARATELY
180	--XXX--	-	NOT SOLD SEPARATELY
190	--XXX--	-	NOT SOLD SEPARATELY
200	3331757	4	BOLT-200



1G176-005-11

2203 KUBOTA ENGINE IDLE APPARATUS			
ITEM	PART NO.	REQ'D	DESCRIPTION
010	3338375	1	APPARATUS-IDLING
020	--XXX--	-	NOT SOLD SEPARATELY
030	BLANK	-	NOT USED
040	--XXX--	-	NOT SOLD SEPARATELY
050	--XXX--	-	NOT SOLD SEPARATELY
060	3338376	1	GASKET
070	--XXX--	-	NOT SOLD SEPARATELY

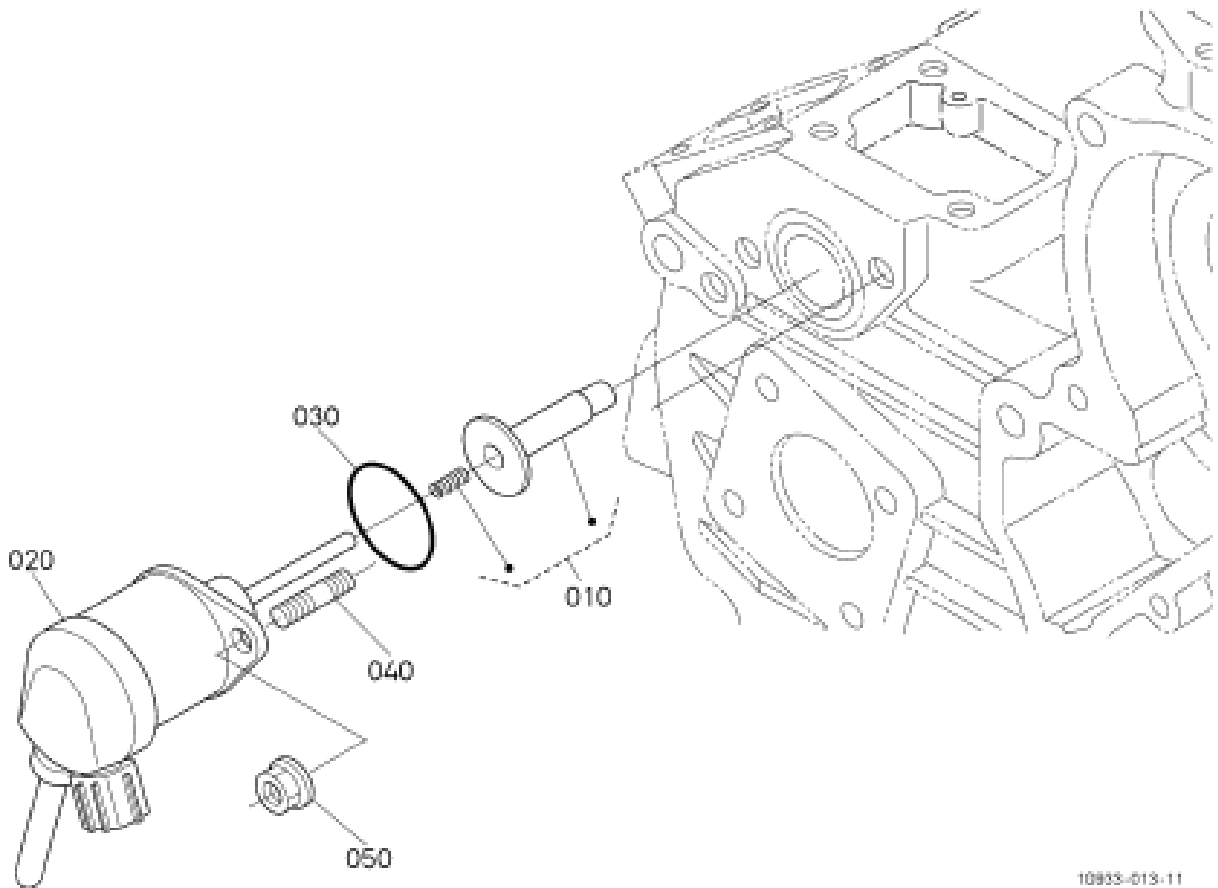
2203 KUBOTA ENGINE STOP LEVER



16346-065-10

2203 KUBOTA ENGINE STOP LEVER			
ITEM	PART NO.	REQ'D	DESCRIPTION
010	3338377	1	ASSY-LEVER ENGINE STOP
020	--XXX--	-	NOT SOLD SEPARATELY
030	--XXX--	-	NOT SOLD SEPARATELY
040	3334298	1	SEAL-SPEED CONTROL PLATE ASSY KBA 2203 EMIS
050	3331772	1	PIN, SP
060	--XXX--	-	NOT SOLD SEPARATELY
070	3334297	1	GASKET-SPEED CONT PLT KBA2203 EMIS COMP
080	3331652	2	BOLT-240
090	3331624	2	STUD-360
100	--XXX--	-	NOT SOLD SEPARATELY

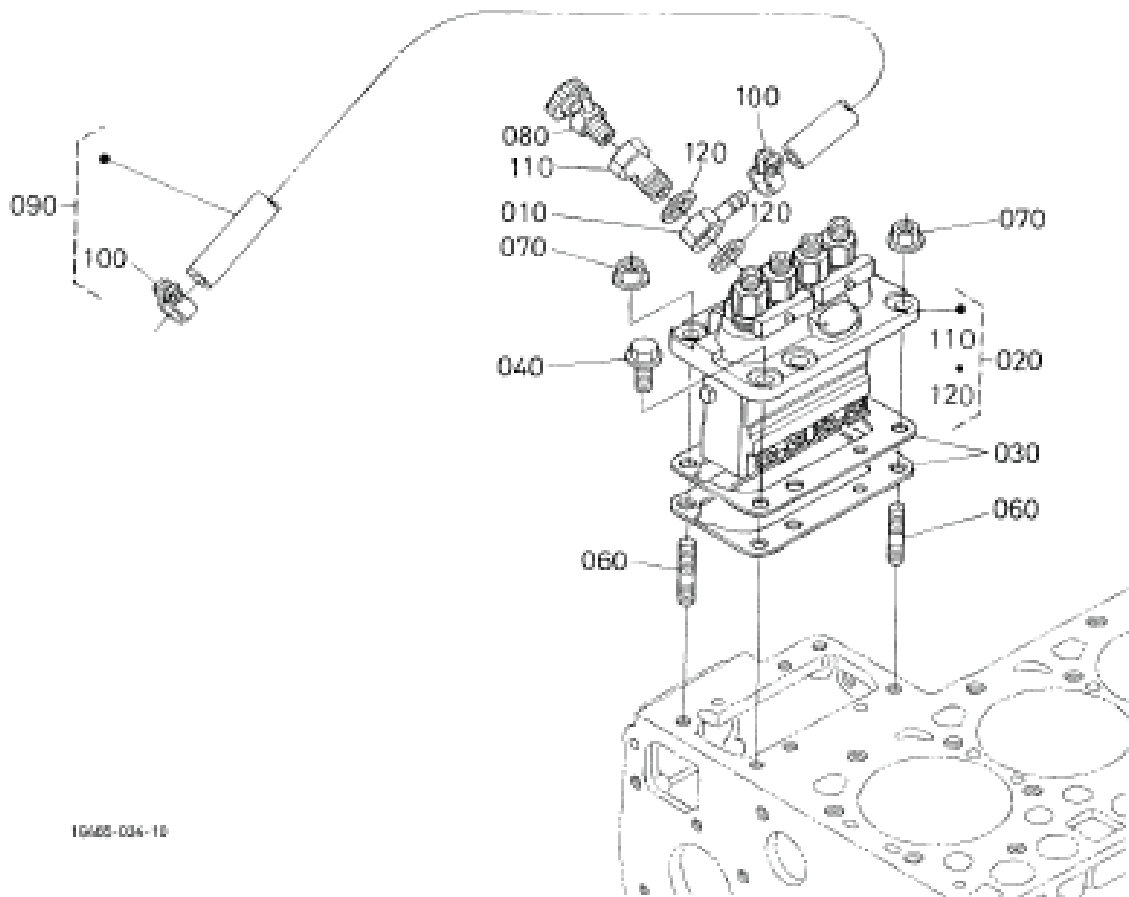
2203 KUBOTA ENGINE STOP SOLENOID



10883-013-11

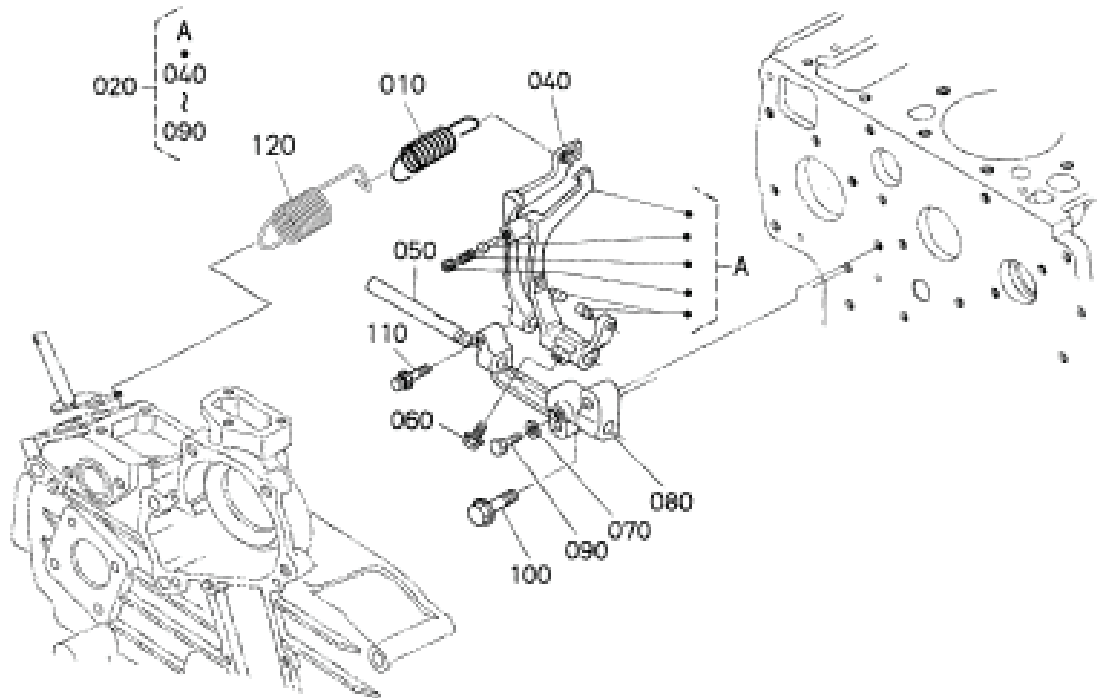
2203 KUBOTA ENGINE STOP SOLENOID			
ITEM	PART NO.	REQ'D	DESCRIPTION
010	3338378	1	COMP. GUIDE SOLENOID
020	3338379	1	ASSY-SOLENOID
030	3338380	1	O-RING
040	3331624	2	STUD-360
050	3338381	1	NUT-FLANGE

2203 KUBOTA ENGINE INJECTION PUMP



1G465-034-1B

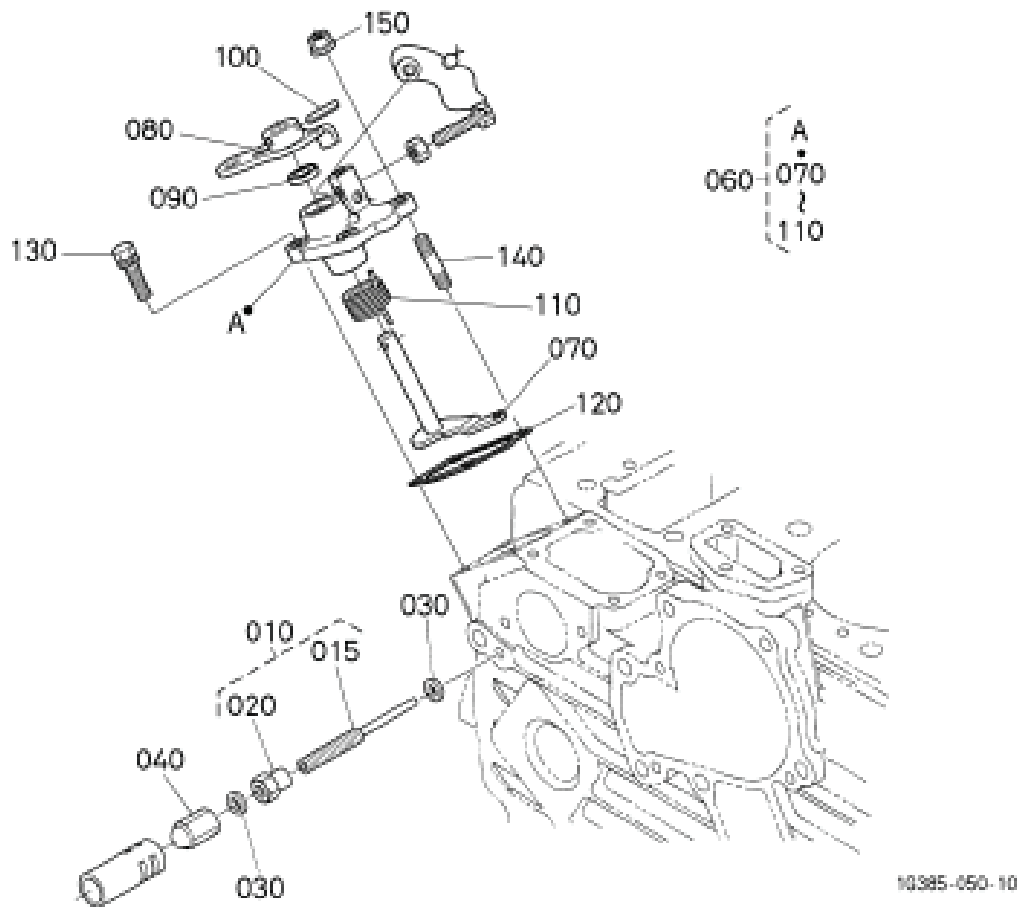
2203 KUBOTA ENGINE INJECTION PUMP			
ITEM	PART NO.	REQ'D	DESCRIPTION
010	--XXX--	-	NOT SOLD SEPARATELY
020	3338382	1	ASSY-PUMP INJECTION
030	--XXX--	-	NOT SOLD SEPARATELY
040	3338383	4	BOLT-FLANGE
050	BLANK	-	NOT USED
060	3338384	2	STUD
070	3338385	2	NUT-FLANGE
080	3303591	1	ASSY-COCK JET START-KUBOTA(SP)
090	3331788	1	ASSY PIPE, FUEL-090
100	3331789	2	CLIP, PIPE-100
110	--XXX--	-	NOT SOLD SEPARATELY
120	--XXX--	-	NOT SOLD SEPARATELY



10475-008-14

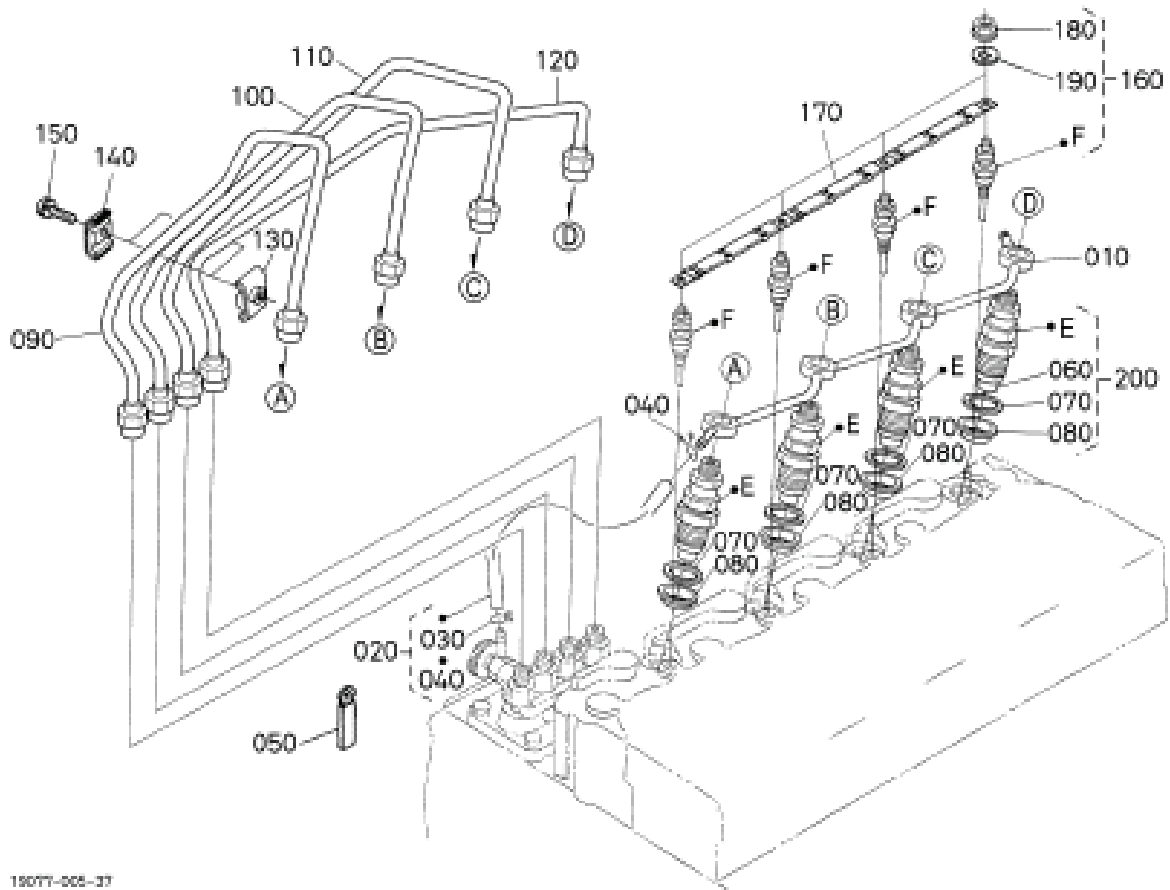
2203 KUBOTA ENGINE GOVERNOR			
ITEM	PART NO.	REQ'D	DESCRIPTION
010	3334295	1	SPRING-GOVENOR KBA 2203 EMIS COMP
020	3334293	1	ASSY-LEVER FORK KBA 2203 EMIS COMP
030	BLANK	-	NOT USED
040	--XXX--	-	NOT SOLD SEPARATELY
050	--XXX--	-	NOT SOLD SEPARATELY
060	--XXX--	-	NOT SOLD SEPARATELY
070	3331575	1	WASHER, SPRING -200
080	3331817	1	HOLDER, FORK LEVER- 070
090	3331818	1	BOLT -080
100	3338386	2	BOLT
110	3338387	1	SPRING-GOVERNOR
120	3334294	1	SPRING-GOVENOR KBA 2203 EMIS COMP

2203 KUBOTA ENGINE SPEED CONTROL PLATE



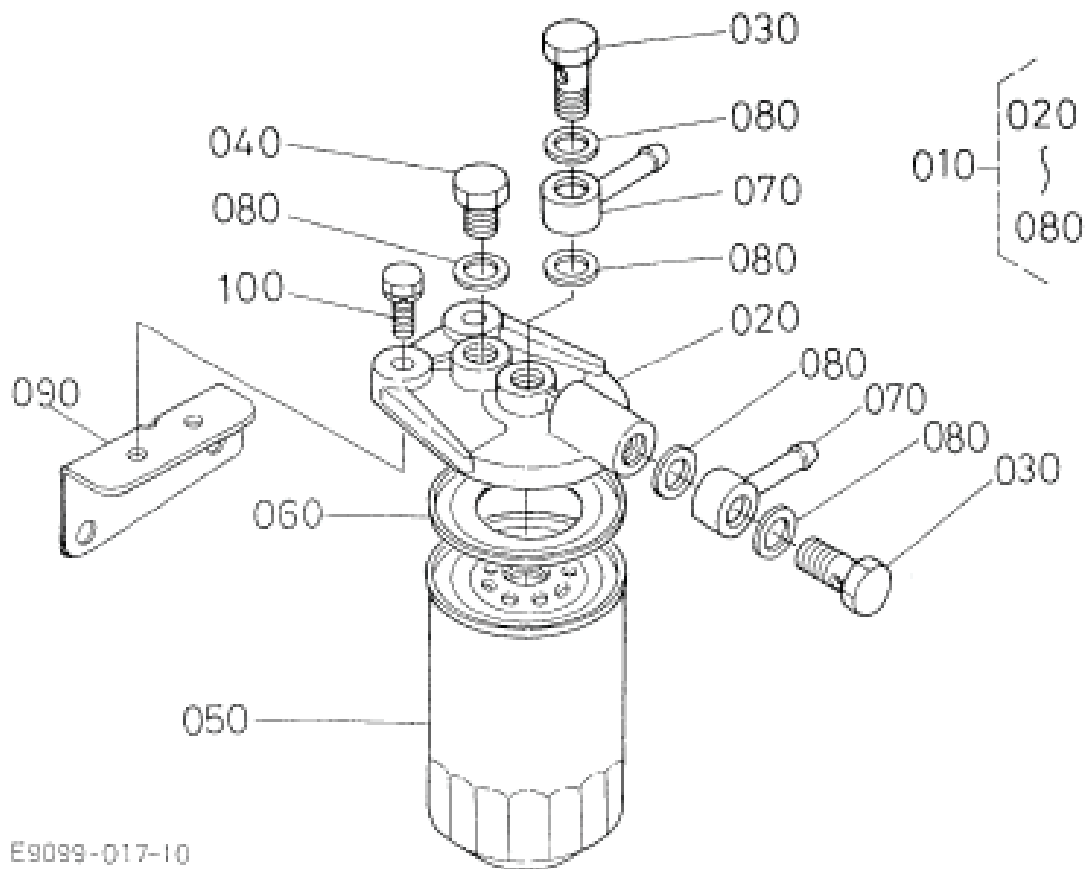
2203 KUBOTA ENGINE SPEED CONTROL PLATE			
ITEM	PART NO.	REQ'D	DESCRIPTION
010	3338388	1	ASSY-BOLT ADJUSTMENT
015	--XXX--	-	NOT SOLD SEPARATELY
020	--XXX--	-	NOT SOLD SEPARATELY
030	3331828	2	GASKET- 030
040	3331829	1	NUT, CAP- 040
050	BLANK	-	NOT USED
060	3334296	1	ASSY-SPEED CONT PLATE KBA 2203 EMIS COMP
070	--XXX--	-	NOT SOLD SEPARATELY
080	--XXX--	-	NOT SOLD SEPARATELY
090	3334298	1	SEAL-SPEED CONT PLATE ASSY KBA 2203 EMIS
100	3331772	1	PIN, SPRING-120
110	--XXX--	-	NOT SOLD SEPARATELY
120	3334297	1	GASKET-SPEED CONT PLT KBA2203 EMIS COMP
130	3331652	2	BOLT-240
140	3331624	2	STUD-360
150	3338389	2	NUT-FLANGE

2203 KUBOTA ENGINE NOZZLE HOLDER AND GLOW PLUG



2203 KUBOTA ENGINE NOZZLE HOLDER AND GLOW PLUG			
ITEM	PART NO.	REQ'D	DESCRIPTION
010	3338390	1	ASSY-PIPE OVERFLOW
020	3331846	1	ASSY, PIPE OVER FLOW -020
030	3331847	1	CLIP PIPE-030
040	--XXX--	-	NOT SOLD SEPARATELY
050	3331868	1	CLAMP, CORD- 160
060	--XXX--	-	NOT SOLD SEPARATELY
070	3332432	4	KUBOTA GASKET
080	3331853	4	SEAL, HEAT -070
090	3331856	1	PIPE INJECTION 15056~
100	3331859	1	PIPE INJECTION 15056~
110	3331862	1	PIPE INJECTION 15056~
120	3338391	1	PIPE-INJECTION
130	3331861	3	PIPE INJECTION 14840~
140	3331864	3	CLAMP, PIPE -120
150	3331865	3	SCREW W/WASHER -130
160	3331866	4	PLUG GLOW -140
170	3338392	1	CORD-GLOW PLUG
180	--XXX--	-	NOT SOLD SEPARATELY
190	--XXX--	-	NOT SOLD SEPARATELY
200	3338393	4	KIT-HOLDER NOZZLE

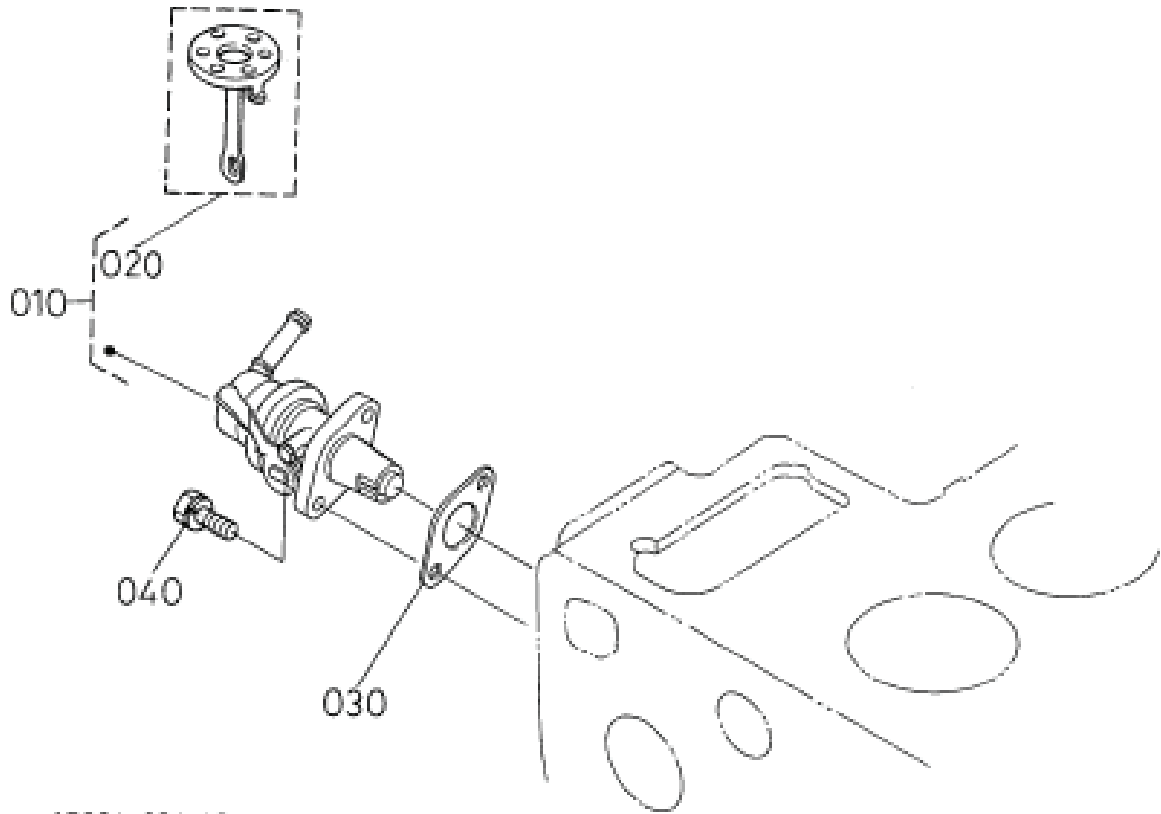
2203 KUBOTA ENGINE FUEL FILTER



E9099-017-10

2203 KUBOTA ENGINE FUEL FILTER			
ITEM	PART NO.	REQ'D	DESCRIPTION
010	3338394	1	ASSY-FILTER FUEL
020	--XXX--	-	NOT SOLD SEPARATELY
030	--XXX--	-	NOT SOLD SEPARATELY
040	--XXX--	-	NOT SOLD SEPARATELY
050	3338395	1	FUEL FILTER
060	3338396	1	GASKET
070	--XXX--	-	NOT SOLD SEPARATELY
080	--XXX--	-	NOT SOLD SEPARATELY
090	--XXX--	-	NOT SOLD SEPARATELY
100	3338397	2	BOLT

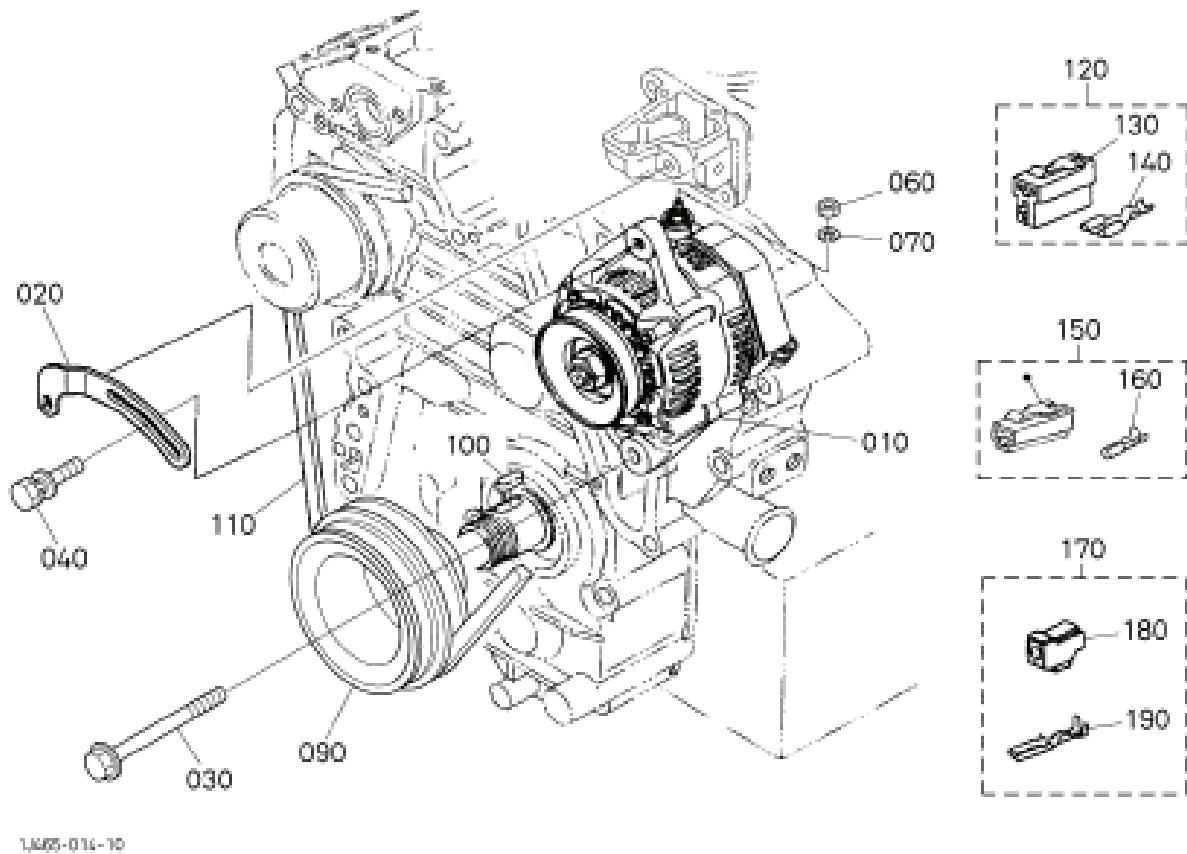
2203 KUBOTA ENGINE FUEL PUMP (MECHANICAL)



1E064-004-10

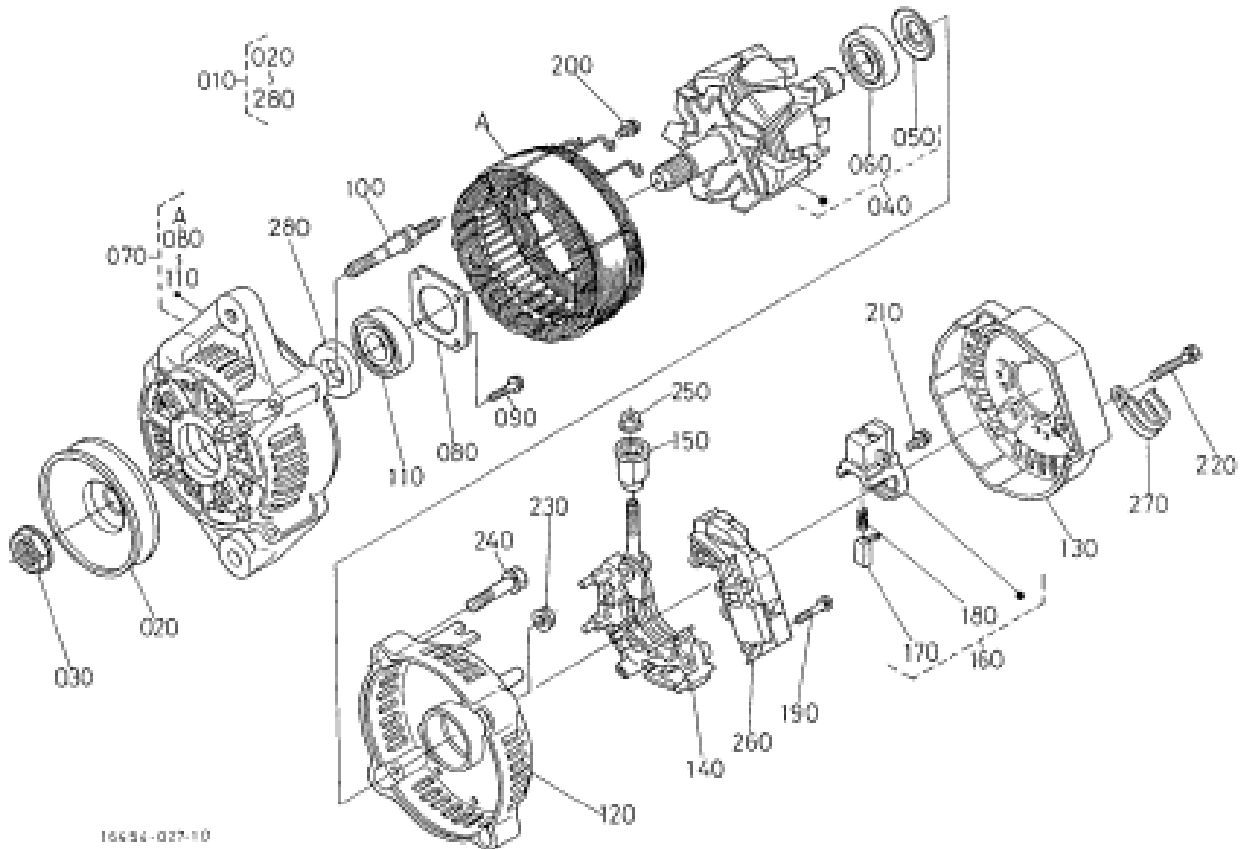
2203 KUBOTA ENGINE FUEL PUMP (MECHANICAL)			
ITEM	PART NO.	REQ'D	DESCRIPTION
010	3331924	1	ASSY PUMP FUEL -010
020	3338398	1	COMP. DIAPHRAGM
030	3338399	1	GASKET-FUEL PUMP
040	3331926	2	BOLT- 030

2203 KUBOTA ENGINE ALTERNATOR AND PULLEY



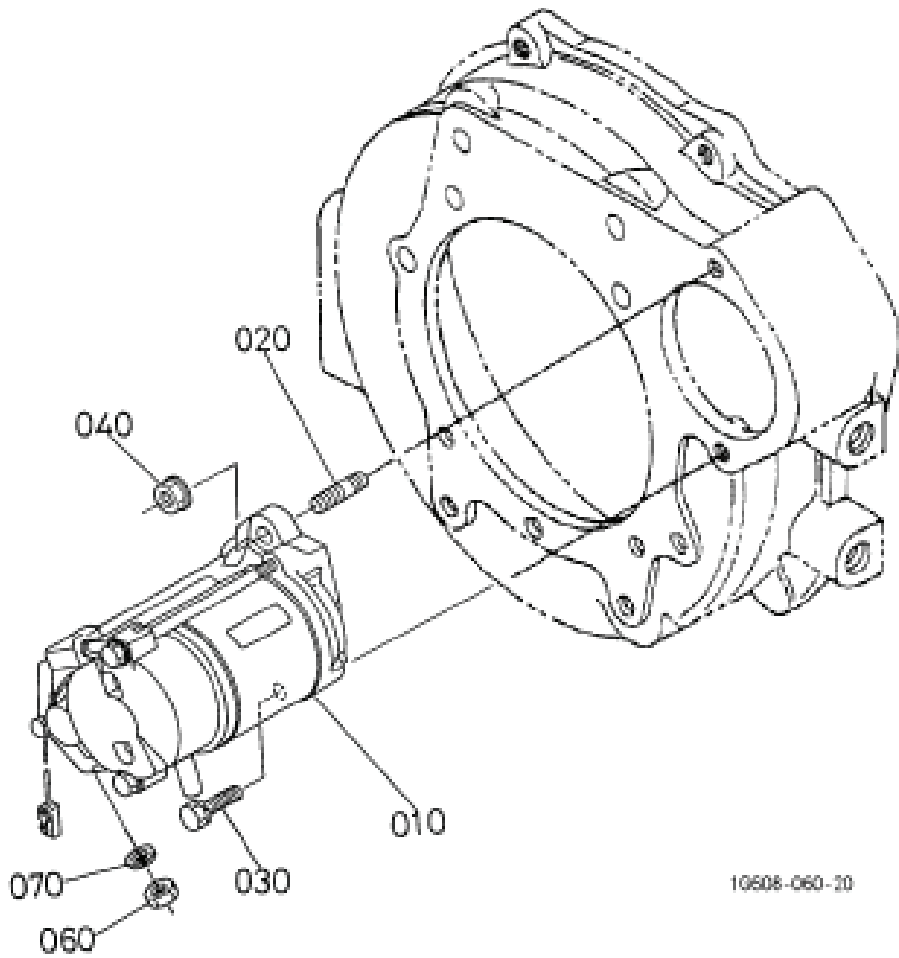
2203 KUBOTA ENGINE ALTERNATOR AND PULLEY			
ITEM	PART NO.	REQ'D	DESCRIPTION
010	3338400	1	ASSY-ALTERNATOR
020	--XXX--	-	NOT SOLD SEPARATELY
030	3338401	1	BOLT-FLANGE
040	3338402	1	BOLT
050	BLANK	-	NOT USED
060	3331620	1	NUT-330
070	3331575	1	WASHER, SPRING -200
080	BLANK	-	NOT USED
090	--XXX--	-	NOT SOLD SEPARATELY
100	3331519	1	KEY, FEATHER-070
110	3338956	1	BELT, COG
120	3306810	1	TERMINAL-2 PRG KBA ALT 71G(SP)
130	3331946	1	CONNECT -160
140	3331947	2	TERMINAL -170
150	3331953	1	ASSY COUPLER- 230
160	3331954	1	TERMINAL -240
170	--XXX--	-	NOT SOLD SEPARATELY
180	--XXX--	-	NOT SOLD SEPARATELY
190	--XXX--	-	NOT SOLD SEPARATELY

2203 KUBOTA ENGINE ALTERNATOR (COMPONENT PARTS)



2203 KUBOTA ENGINE ALTERNATOR (COMPONENT PARTS)			
ITEM	PART NO.	REQ'D	DESCRIPTION
010	3338400	1	ASSY-ALTERNATOR
020	3331956	1	PULLEY ALTERNATOR- 020
030	3331957	1	NUT- 030
040	--XXX--	-	NOT SOLD SEPARATELY
050	3331960	1	COVER BEARING- 060
060	--XXX--	-	NOT SOLD SEPARATELY
070	--XXX--	-	NOT SOLD SEPARATELY
080	3331964	1	PLATE, RETAINER -100
090	3331965	4	SCREW, ROUND HEAD -110
100	3331966	2	BOLT, THROUGH -120
110	3331967	1	BEARING BALL -130
120	--XXX--	-	NOT SOLD SEPARATELY
130	--XXX--	-	NOT SOLD SEPARATELY
140	--XXX--	-	NOT SOLD SEPARATELY
150	--XXX--	-	NOT SOLD SEPARATELY
160	3331972	1	HOLDER BRUSH -180
170	3331973	2	BRUSH -190
180	3331974	2	SPRING BRUSH- 200
190	3331975	2	SCREW, ROUND HEAD -210
200	3331976	6	SCREW ROUND HEAD- 220
210	3331977	1	SCREW ROUND HEAD- 230
220	3331978	3	BOLT- 240
230	3331979	2	NUT- 250
240	3331980	2	BOLT- 260
250	3331981	1	NUT- 270
260	--XXX--	-	NOT SOLD SEPARATELY
270	--XXX--	-	NOT SOLD SEPARATELY
280	3331958	1	COLLAR -040

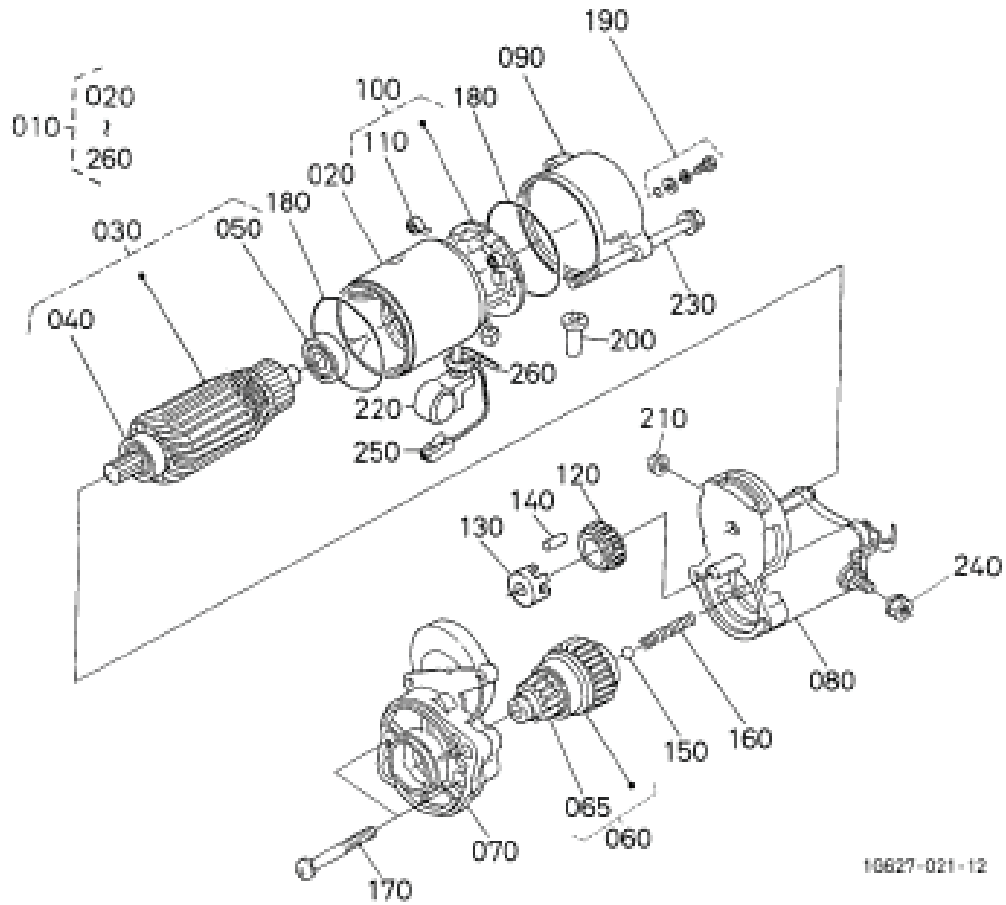
2203 KUBOTA ENGINE STARTER



10608-060-20

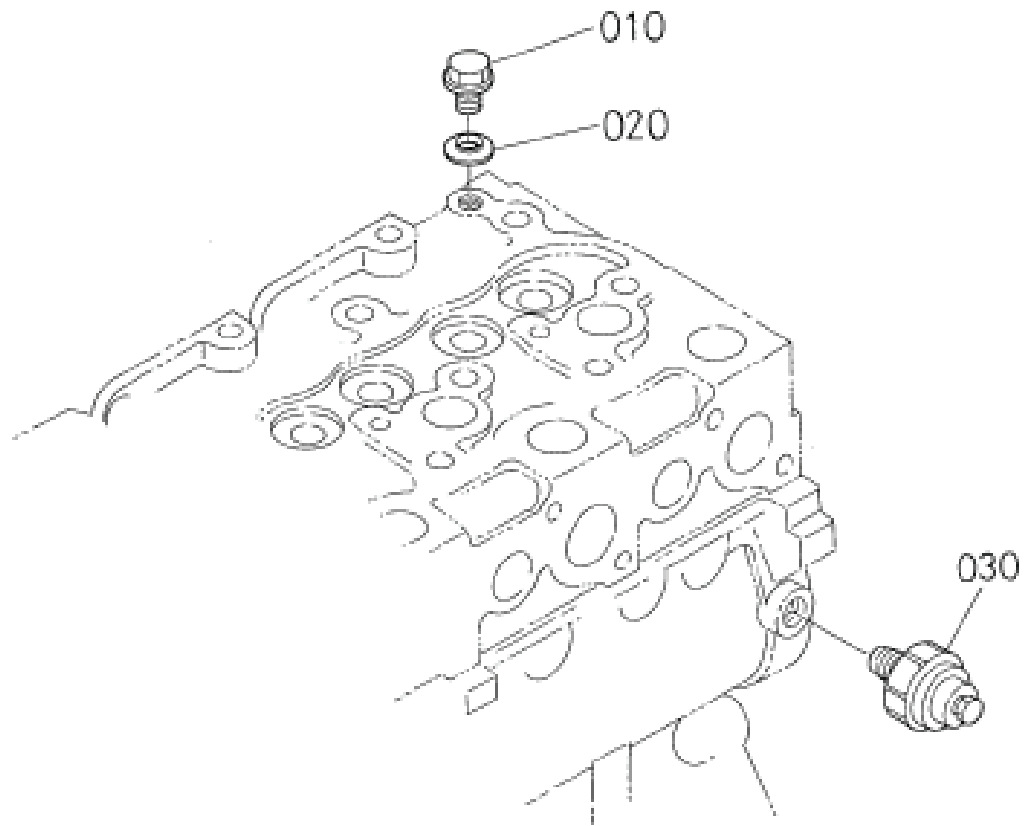
2203 KUBOTA ENGINE STARTER			
ITEM	PART NO.	REQ'D	DESCRIPTION
010	3331984	1	STARTER-KUBOTA 1402/03 1902/03 2203
020	3331985	1	STUD- 020
030	3331986	1	BOLT -030
040	3338403	1	NUT-FLANGE
050	BLANK	-	NOT USED
060	3331989	1	NUT- 060
070	3331598	1	WASHER, SPRING-060

2203 KUBOTA ENGINE STARTER (COMPONENT PARTS)



2203 KUBOTA ENGINE STARTER (COMPONENT PARTS)			
ITEM	PART NO.	REQ'D	DESCRIPTION
010	3331984	1	STARTER-KUBOTA 1402/03 1902/03 2203
020	--XXX--	-	NOT SOLD SEPARATELY
030	3331995	1	ASSY ARMATURE -030
040	3331996	1	BEARING- 040
050	3331997	1	BEARING- 050
060	3331998	1	CLUTCH, OVER RUNNING- 060
065	--XXX--	-	NOT SOLD SEPARATELY
070	3331999	1	FRAME, DRIVE END- 070
080	--XXX--	-	NOT SOLD SEPARATELY
090	3332002	1	FRAME- 090
100	3332003	1	ASSY HOLDER, BRUSH- 100
110	3332004	4	SPRING BRUSH- 110
120	3332005	1	GEAR- 120
130	3332006	1	RETAINER- 130
140	3332007	5	ROLLER- 140
150	3332009	1	BALL- 160
160	3332008	1	SPRING- 150
170	3332010	2	BOLT- 170
180	3332017	2	O RING -180
190	3332018	2	ASSY BOLT- 190
200	3332019	1	PIPE, DRAIN- 200
210	--XXX--	-	NOT SOLD SEPARATELY
220	--XXX--	-	NOT SOLD SEPARATELY
230	3332021	2	BOLT- 220
240	3332022	1	NUT, HEXAGON- 230
250	3331992	1	CORD, STOP SOLENOID 12830~
260	--XXX--	-	NOT SOLD SEPARATELY

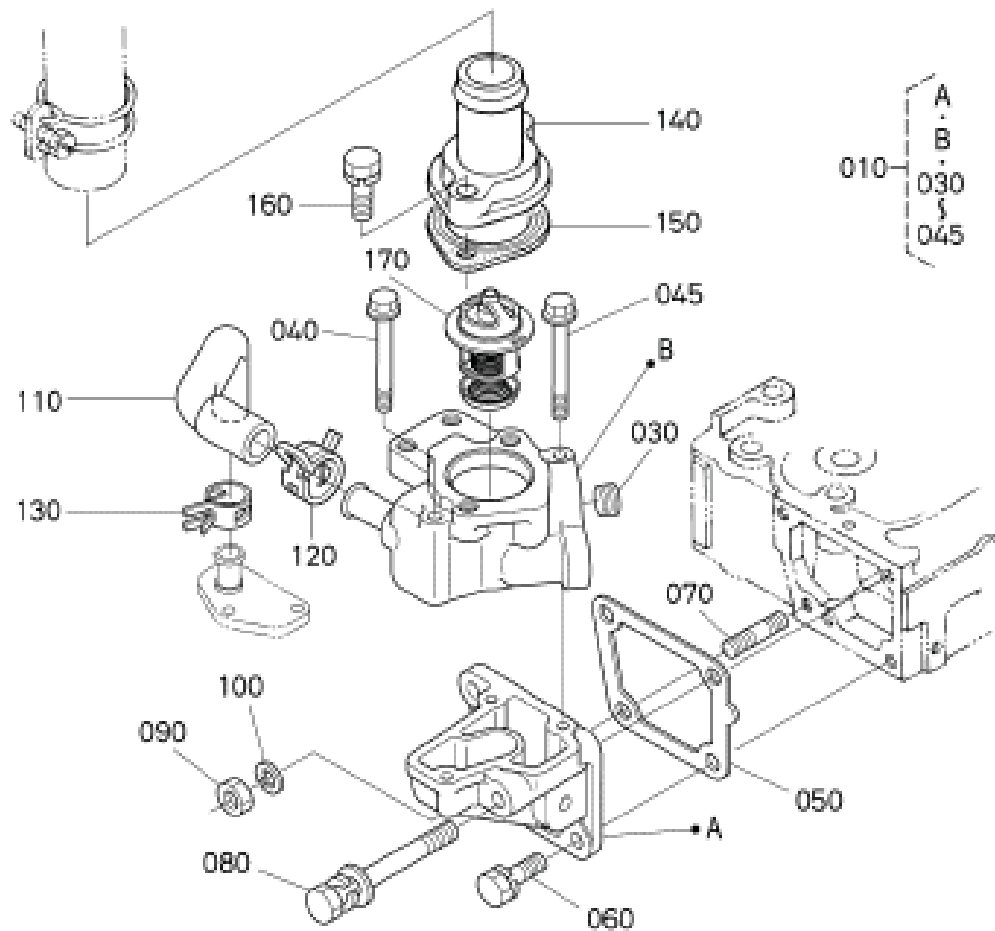
2203 KUBOTA ENGINE OIL SWITCH AND PLUG



17290-016-10

2203 KUBOTA ENGINE OIL SWITCH AND PLUG			
ITEM	PART NO.	REQ'D	DESCRIPTION
010	3332023	1	PLUG- 010
020	3332024	1	WASHER,W/RUBB- 020
030	748403	1	SWITCH, OIL

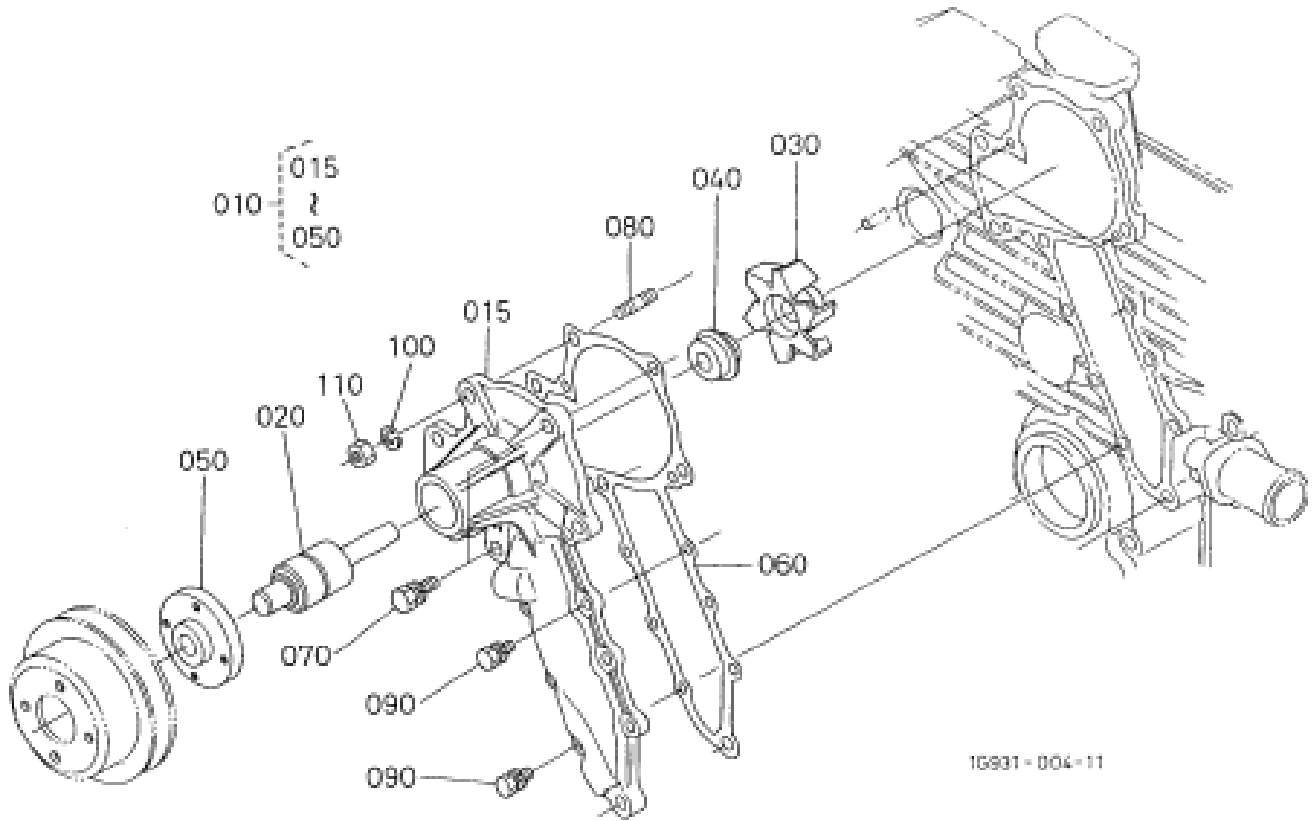
2203 KUBOTA ENGINE WATER FLANGE AND THERMOSTAT



109933-019-15

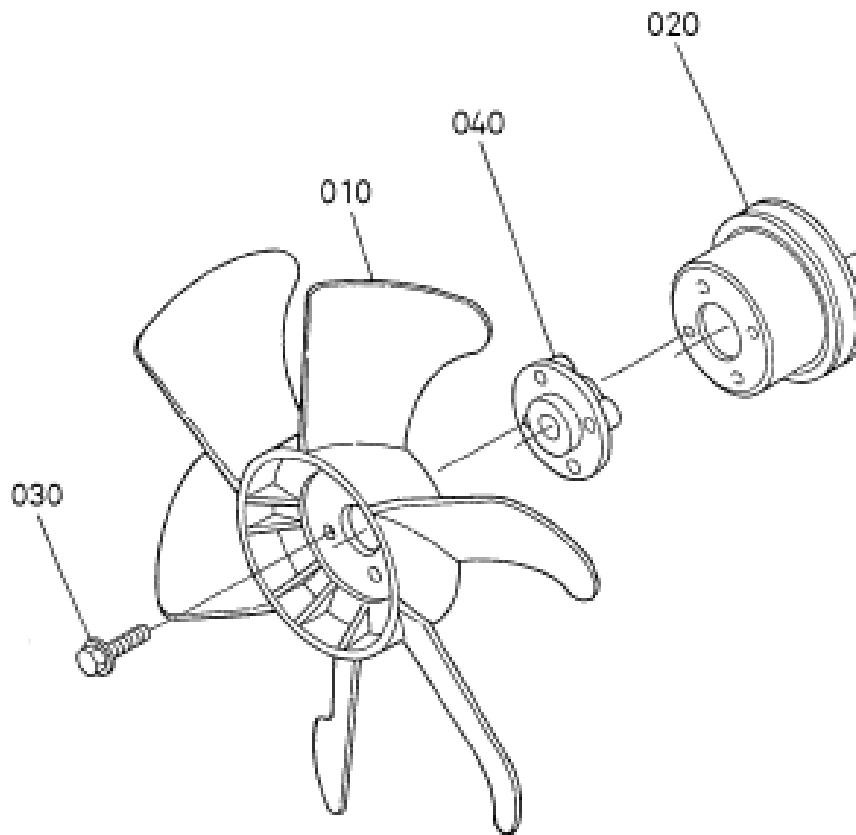
2203 KUBOTA ENGINE WATER FLANGE AND THERMOSTAT			
ITEM	PART NO.	REQ'D	DESCRIPTION
010	3338404	1	COMP. FLANGE WATER
020	BLANK	-	NOT USED
030	--XXX--	-	NOT SOLD SEPARATELY
040	--XXX--	-	NOT SOLD SEPARATELY
045	--XXX--	-	NOT SOLD SEPARATELY
050	3338405	1	GASKET-WATER FLANGE
060	3338406	2	BOLT
070	3331784	1	STUD-050
080	3338407	1	BOLT
090	3331597	1	NUT-050
100	3331598	1	WASHER, SPRING-060
110	3334302	1	PIPE-WATER RET STAT KBA 2203 EMIS COMP
120	3338408	1	CLAMP-HOSE
130	3334303	1	CLAMP-WATER RETURN PIPE T STAT KBA 2203
140	3332039	1	COVER, THERMOSTAT- 130
150	3336918	1	GASKET - THERMOSTAT KUBOTA
160	3338409	2	BOLT
170	3334304	1	THERMOSTAT-KBA 2203 EMIS COMP

2203 KUBOTA ENGINE WATER PUMP



2203 KUBOTA ENGINE WATER PUMP			
ITEM	PART NO.	REQ'D	DESCRIPTION
010	3334305	1	PUMP-WATER KBA 2203 EMIS COMP
015	--XXX--	-	NOT SOLD SEPARATELY
020	3332046	1	BEARING- 020
030	--XXX--	-	NOT SOLD SEPARATELY
040	3332048	1	ASSY- SEAL, MECHANICAL-040
050	--XXX--	-	NOT SOLD SEPARATELY
060	3339010	1	GASKET, WATER PUMP
070	3331508	2	BOLT-070
080	3338410	1	STUD
090	3331776	6	BOLT-150
100	3331598	1	WASHER, SPRING-060
110	3331597	1	NUT-050

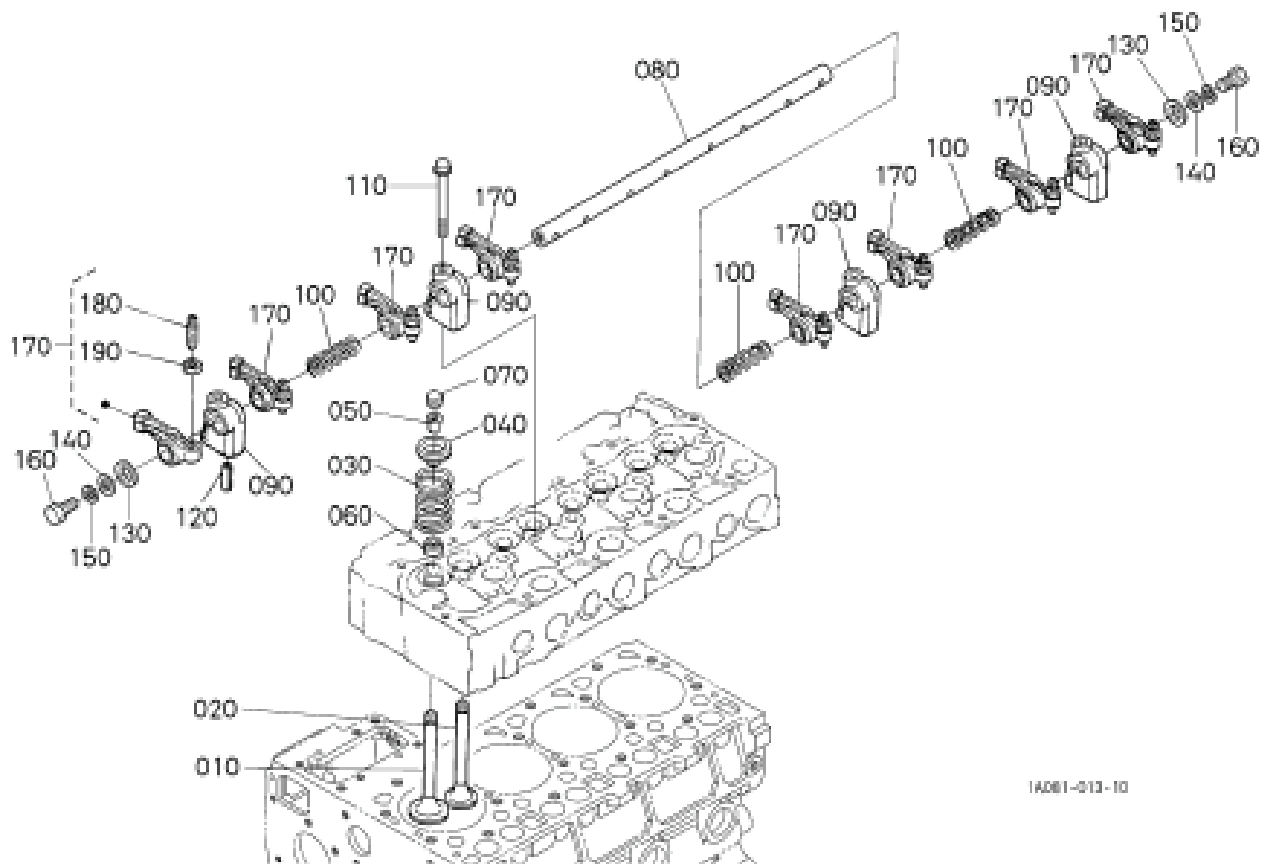
2203 KUBOTA ENGINE FAN



1G465-043-10

2203 KUBOTA ENGINE FAN			
ITEM	PART NO.	REQ'D	DESCRIPTION
010	3350449	1	FAN-ENGINE 6-BLADE V2203 KBA
020	--XXX--	-	NOT SOLD SEPARATELY
030	3338411	4	BOLT-FLANGE
040	--XXX--	-	NOT SOLD SEPARATELY

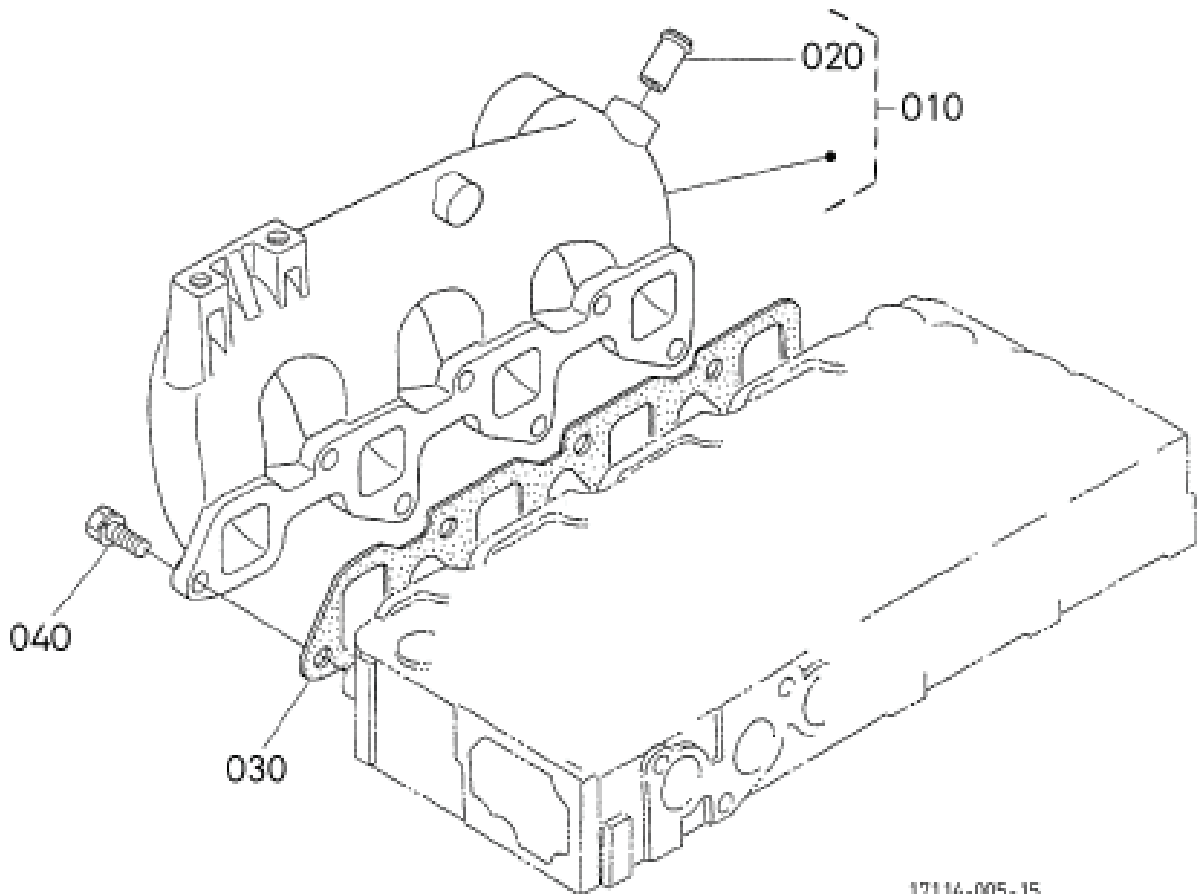
2203 KUBOTA ENGINE VALVE AND ROCKER ARM



1A081-013-10

2203 KUBOTA ENGINE VALVE AND ROCKER ARM			
ITEM	PART NO.	REQ'D	DESCRIPTION
010	3338412	4	VALVE-INLET
020	3338413	4	VALVE-EXHAUST
030	3332090	8	SPRING, VALVE- 030
040	3332091	8	RETAINER, VALVE SP- 040
050	3338414	8	COLLET-VALVE SPRING (SET)
060	3338415	8	SEAL-VALVE STEM
070	3332094	8	CAP, VALVE- 070
080	3338416	1	SHAFT-ROCKER ARM
090	3338417	4	BRACKET-ROCKER ARM
100	3332105	3	SPRING, ROCKER ARM- 170
110	3338418	4	BOLT-FLANGE
120	3332103	1	PIN, SPRING- 12660~
130	3332104	2	WASHER, R-ARM. SHAFT- 160
140	3338419	2	WASHER-PLAIN
150	3331598	2	WASHER, SPRING-060
160	3331719	2	BOLT-060
170	3332107	8	ASSY ROCKER ARM- 190
180	3332108	8	SCREW,ADJUSTING- 200
190	3332109	8	NUT- 210

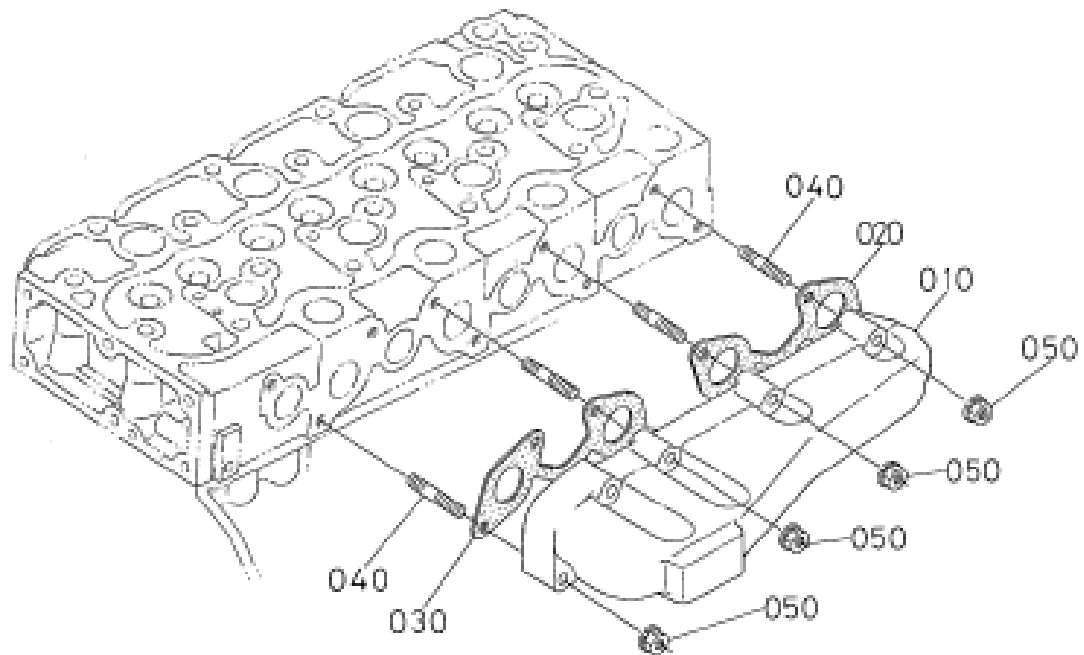
2203 KUBOTA ENGINE INLET MANIFOLD



17114-005-15

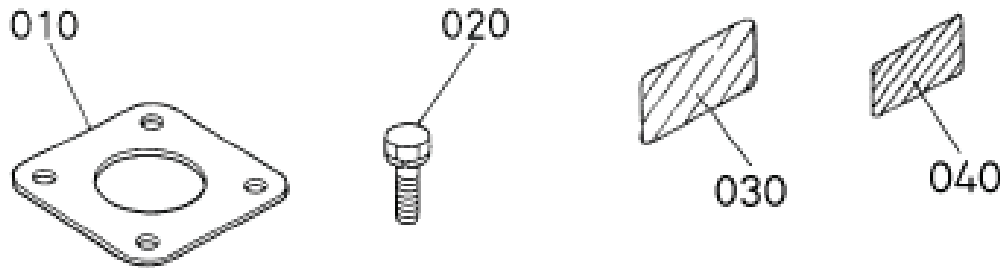
2203 KUBOTA ENGINE INLET MANIFOLD			
ITEM	PART NO.	REQ'D	DESCRIPTION
010	3338420	1	COMP. MANIFOLD INLET
020	--XXX--	-	NOT SOLD SEPARATELY
030	3338421	1	GASKET-IN-MANIFOLD
040	3331783	7	BOLT-040

2203 KUBOTA ENGINE EXHAUST MANIFOLD



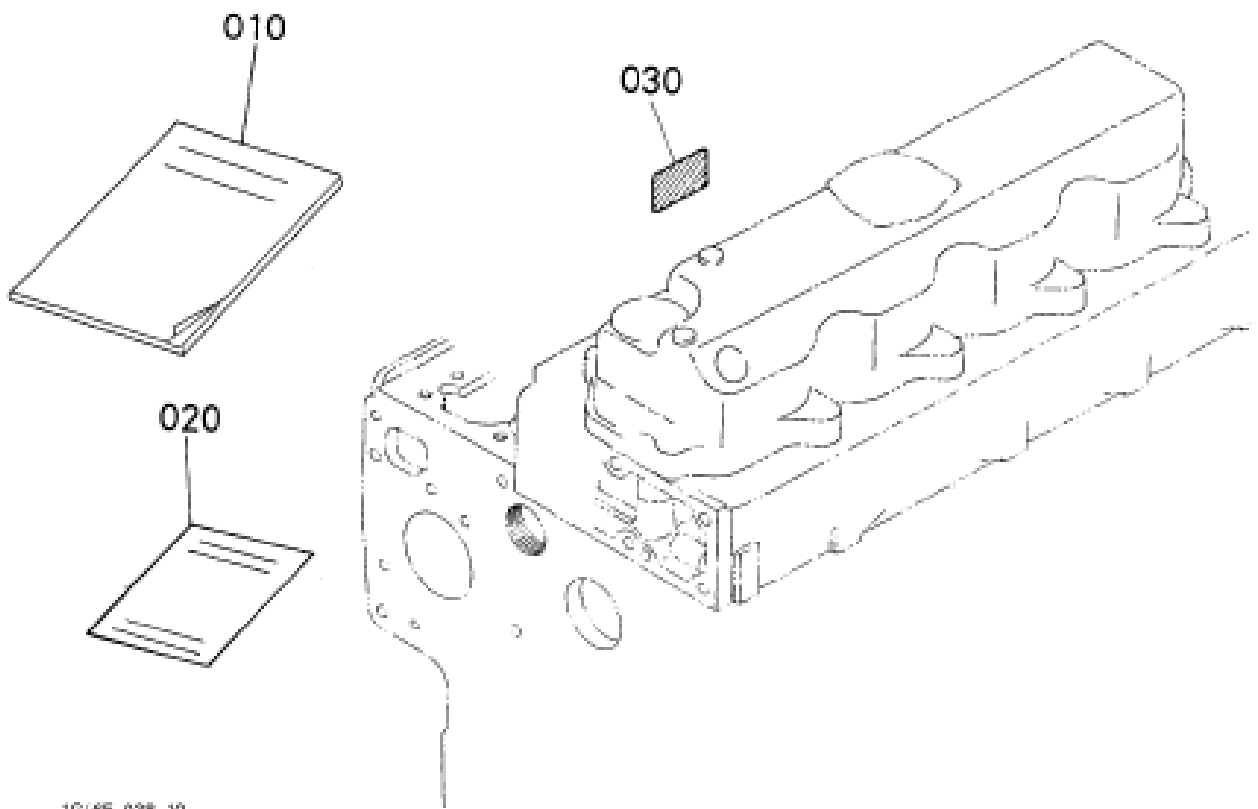
16454-069-10

2203 KUBOTA ENGINE EXHAUST MANIFOLD			
ITEM	PART NO.	REQ'D	DESCRIPTION
010	3338422	1	MANIFOLD-EXHAUST
020	3338423	1	GASKET-EXHAUST MANIFOLD
030	3338424	1	GASKET-EXHAUST MANIFOLD
040	3338425	8	STUD
050	3338426	8	NUT



1G465-037-10

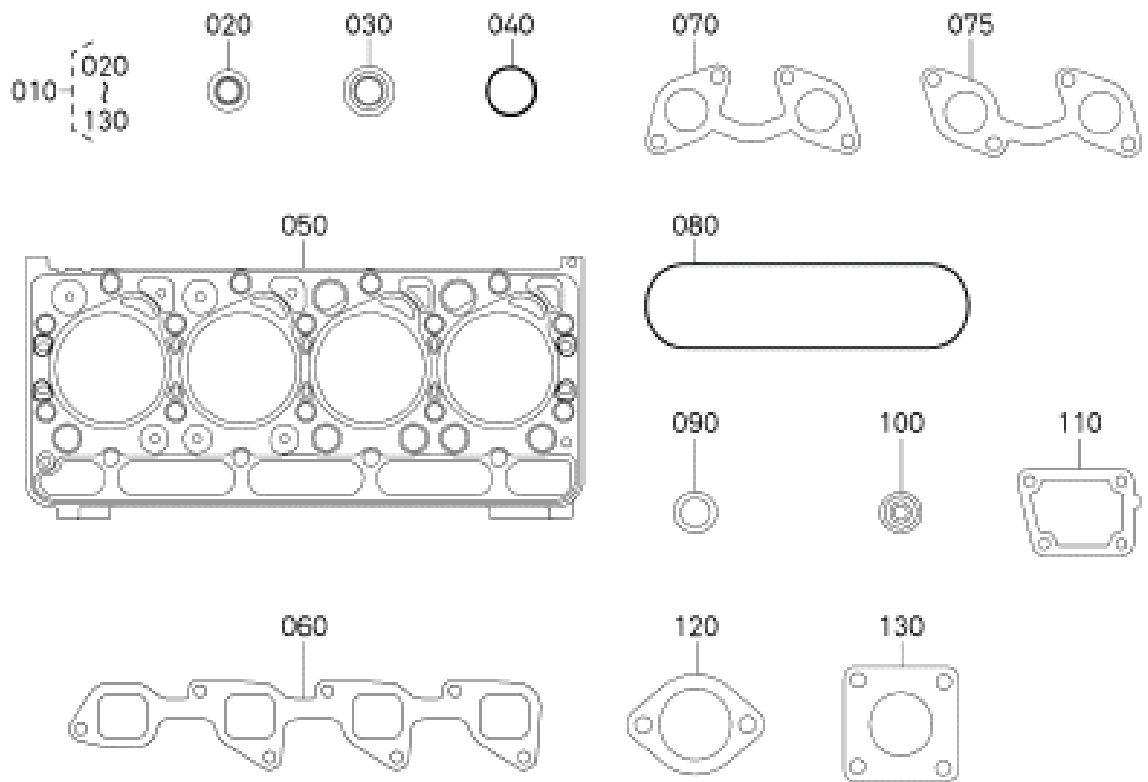
2203 KUBOTA ENGINE ACCESSORIES AND SERVICE PARTS			
ITEM	PART NO.	REQ'D	DESCRIPTION
010	3332122	1	GASKET, MUFFLER
020	3331507	4	BOLT-060
030	3332064	1	LABEL INSTRUCTION- 080
040	--XXX--	-	NOT SOLD SEPARATELY



1G465-038-10

2203 KUBOTA ENGINE LABEL AND OPERATOR'S MANUAL			
ITEM	PART NO.	REQ'D	DESCRIPTION
010	3338427	1	OPERATORS MANUAL
020	3338428	1	STATEMENT-WARRANTY
030	--XXX--	-	NOT SOLD SEPARATELY

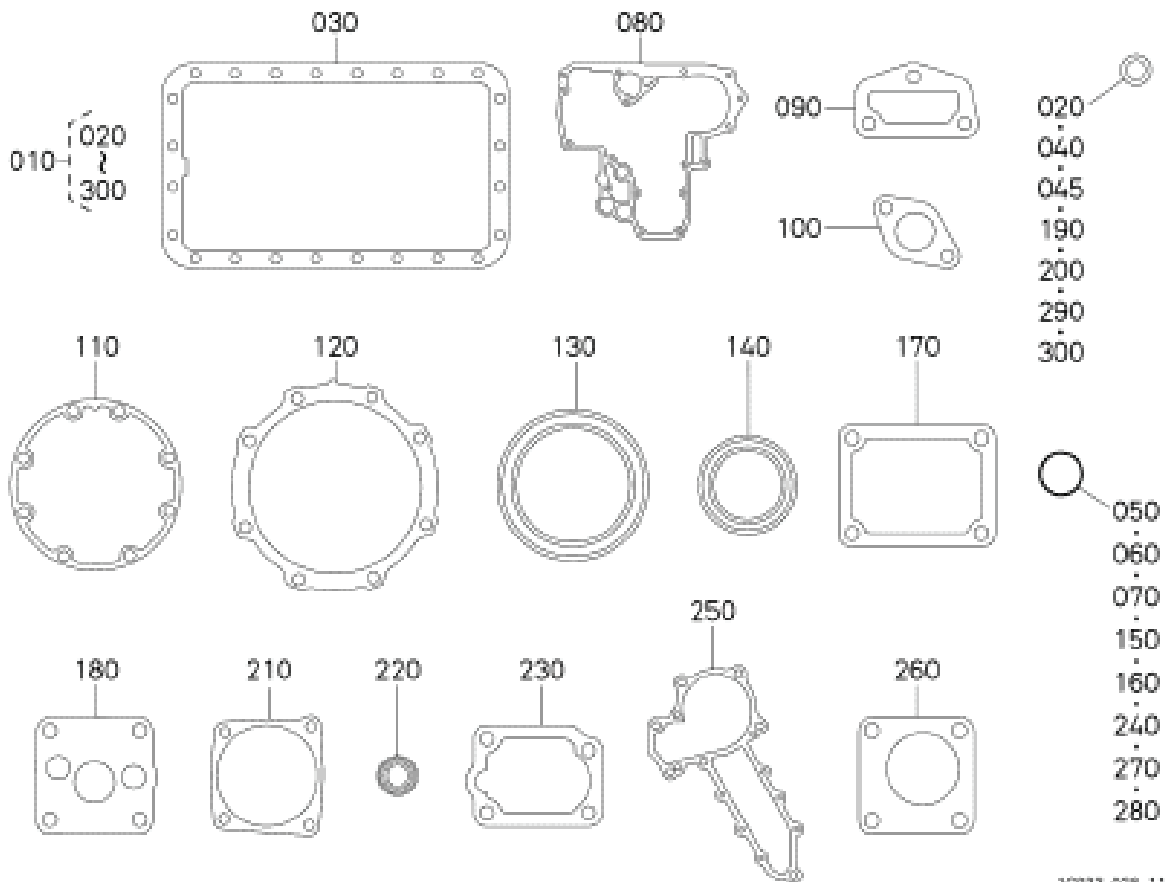
2203 KUBOTA ENGINE UPPER GASKET KIT [OPTION]



1.465-004-10

ITEM	PART NO.	REQ'D	DESCRIPTION
010	3338429	1	KIT-GASKET UPPER
020	3332024	1	WASHER,W/RUBB- 020
030	3338415	8	SEAL-VALVE STEM
040	3338345	1	O-RING
050	3334292	1	GASKET-CYL HEAD KBA 2203 EMIS COMP
060	3338421	1	GASKET-IN-MANIFOLD
070	3338424	1	GASKET-EXHAUST MANIFOLD
075	3338423	1	GASKET-EXHAUST MANIFOLD
080	3334289	1	GASKET-CYL HEAD COVER KBA 2203 EMIS COMP
090	3332432	4	KUBOTA GASKET
100	3331853	4	SEAL, HEAT -070
110	3338405	1	GASKET-WATER FLANGE
120	3336918	1	GASKET - THERMOSTAT KUBOTA
130	3332122	1	GASKET, MUFFLER- 010

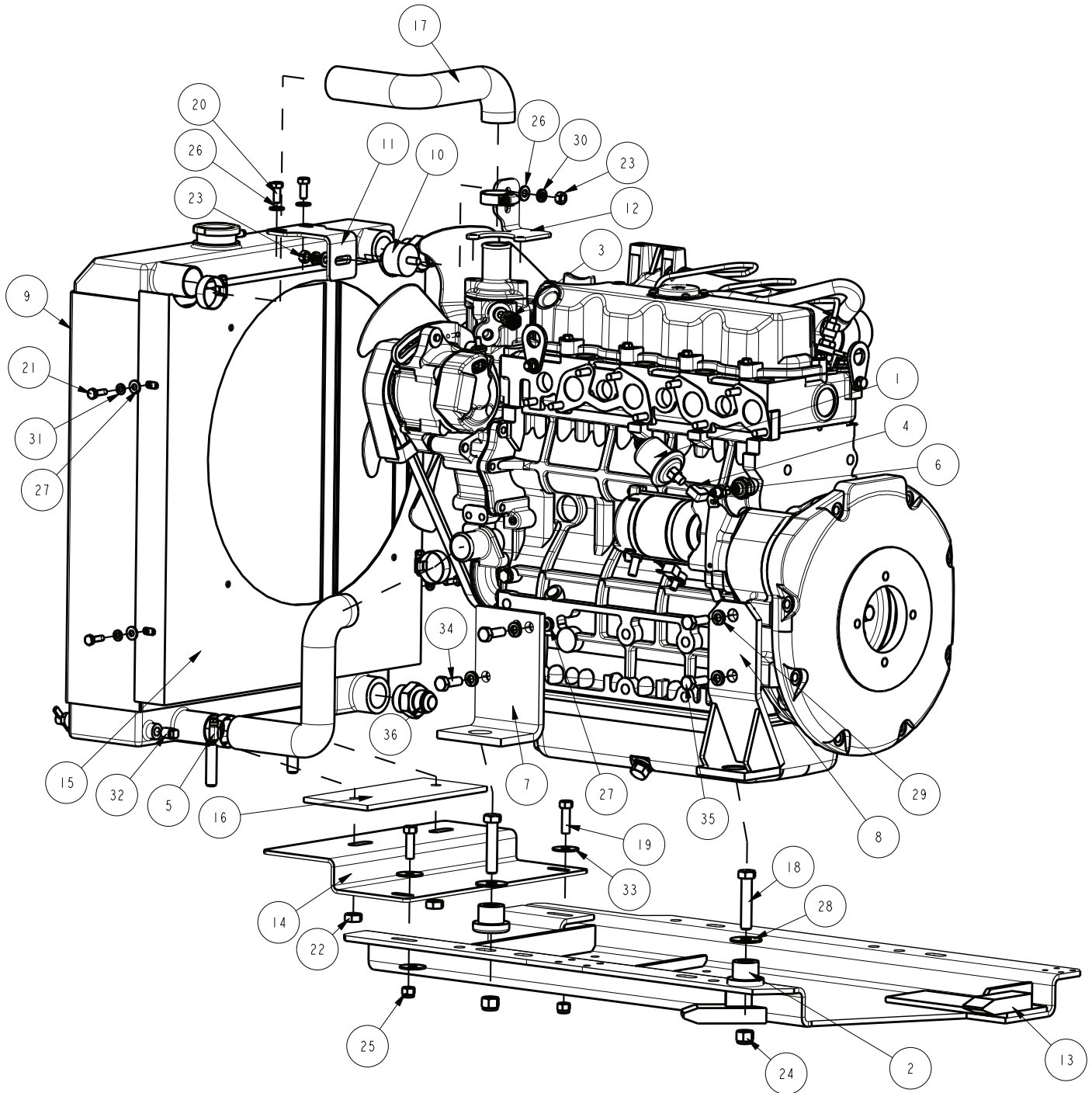
2203 KUBOTA ENGINE LOWER GASKET KIT [OPTION]



10933-028-11

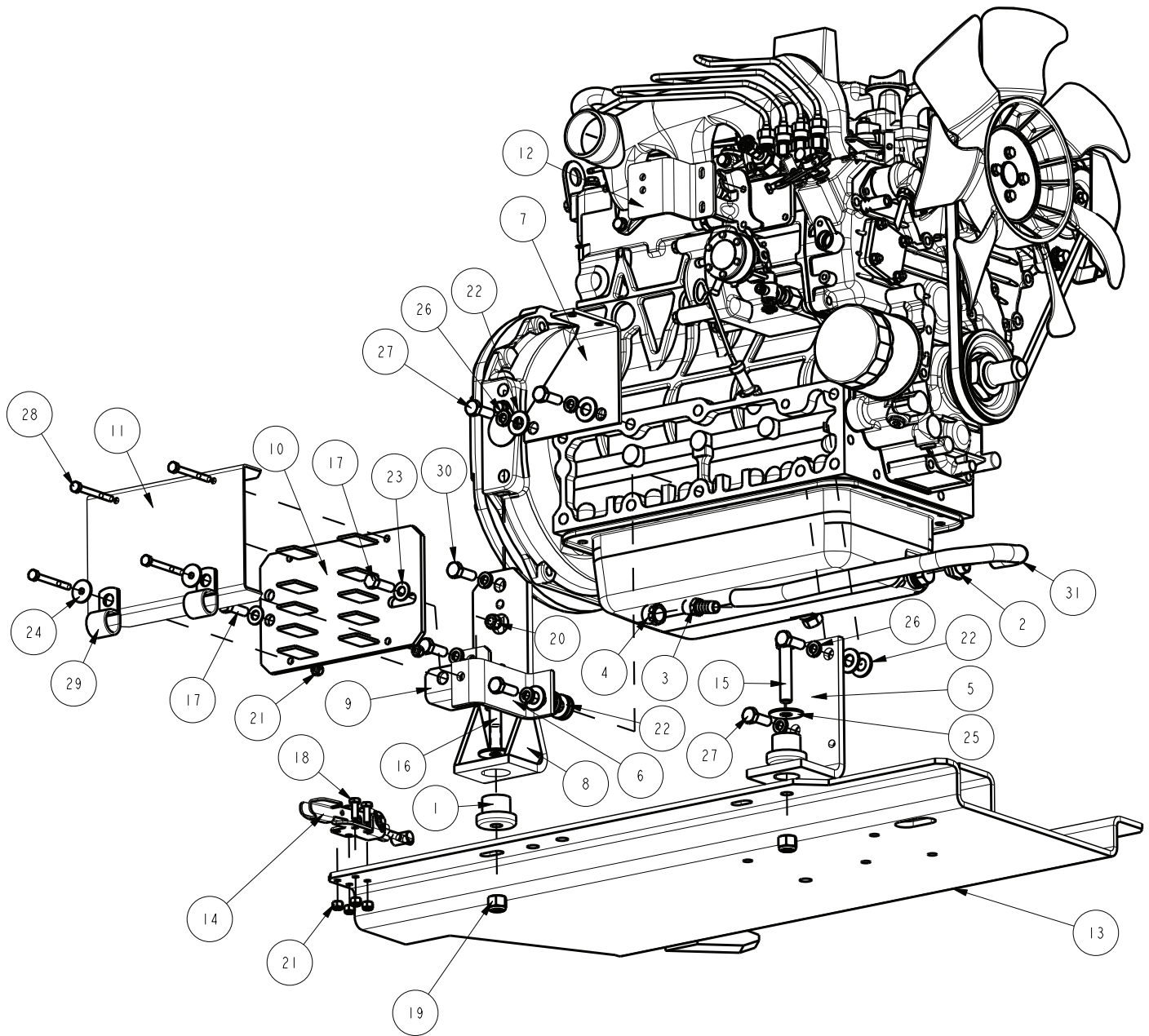
2203 KUBOTA ENGINE LOWER GASKET KIT [OPTION]			
ITEM	PART NO.	REQ'D	DESCRIPTION
010	3338430	1	KIT-GASKET LOWER
020	3338405	1	GASKET-WATER FLANGE
030	3338325	1	GASKET-OIL PAN
040	3305252	1	WASHER-KUBOTA OIL DRAIN FTG
045	3333377	2	GASKET
050	3338334	1	O-RING
060	3338335	2	O-RING
070	3338336	1	O-RING
080	3334301	1	GASKET-TIMING GEAR CASE KBA 2203 EMIS
090	3338342	1	GASKET-RETURN FLANGE
100	3338399	1	GASKET-FUEL PUMP
110	3338355	1	GASKET-BEARING CASE
120	3338357	1	GASKET- CASE COVER
130	3338358	1	SEAL-OIL
140	3330290	1	KBA SEAL OIL
150	3331698	1	O RING - 170
160	3338330	1	O-RING
170	3338351	1	GASKET-PUMP COVER
180	3338348	1	GASKET-OIL PUMP
190	3331828	2	GASKET- 030
200	--XXX--	2	NOT SOLD SEPARATELY
210	3338374	1	GASKET
220	3334298	2	SEAL-SPEED CONT PLATE ASSY KBA 2203 EMIS
230	3334297	2	GASKET-SPEED CONT PLT KBA2203 EMIS COMP
240	3338380	1	O-RING
250	3339010	1	GASKET, WATER PUMP
260	3338343	1	GASKET-HOUR METER
270	--XXX--	1	NOT SOLD SEPARATELY
280	--XXX--	1	NOT SOLD SEPARATELY
290	3338376	1	GASKET
300	3331569	1	GASKET-150

2203 KUBOTA ENGINE - RADIATOR AND SENDERS



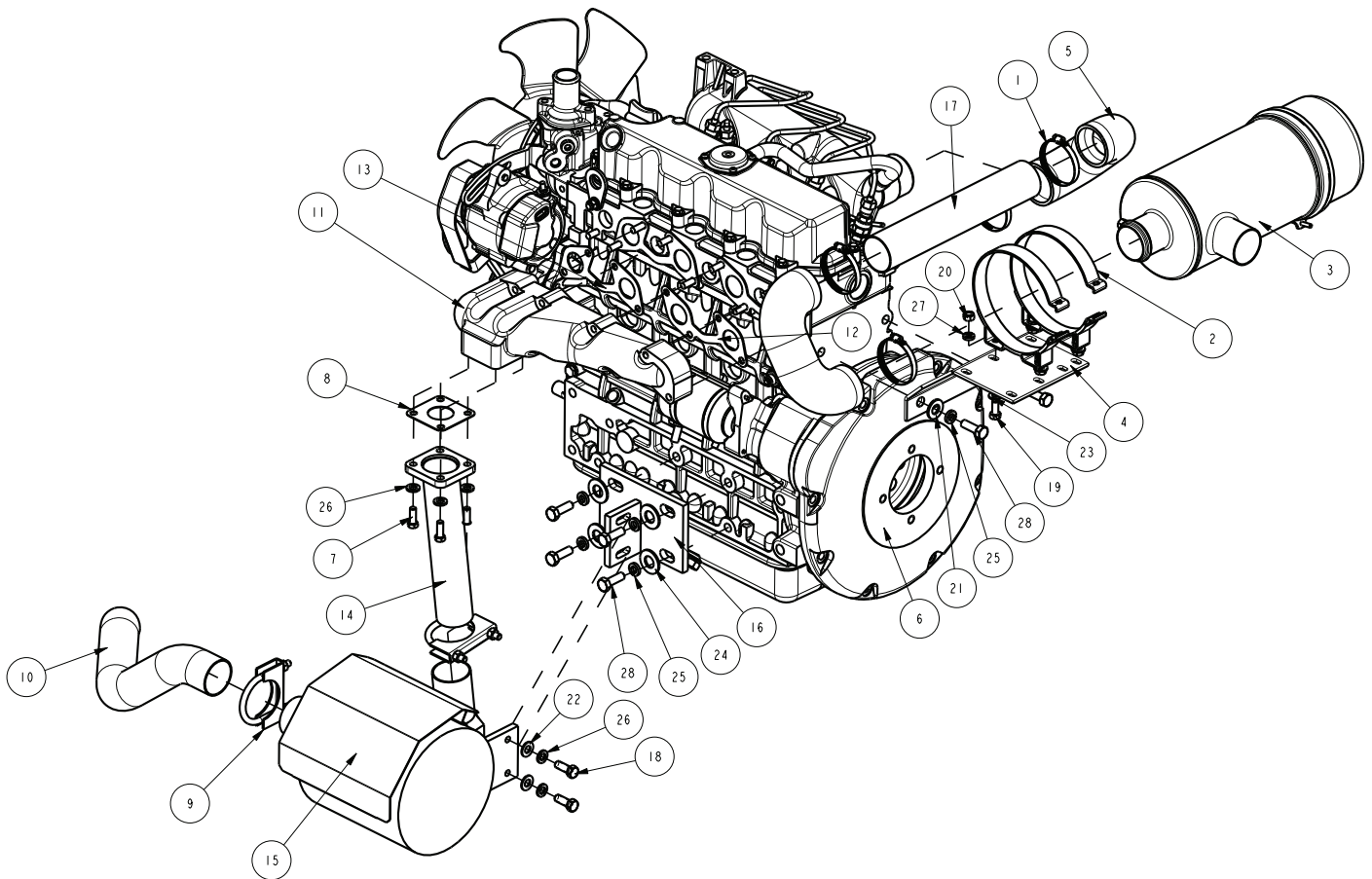
2203 KUBOTA ENGINE - RADIATOR AND SENDERS			
ITEM	PART NO.	REQ'D	DESCRIPTION
1	3300387	1	SENDER-OIL PRESSURE 0-80 PSI
2	3300464	2	ISOLATOR - RUBBER, 1.24 DIAMx1.25 LG
3	3301441	1	SENDER-TEMP A12,A15,& KUBOTA
4	3301720	1	FTG-90 EL 1/8 FPT
5	3303255	4	CLAMP-HOSE 1 3/4 NOM.
6	3305640	1	FTG-NIPPLE 1/8BPT-1/8NPT BRASS
7	3307918	1	MNT-ENG-REAR INNER KBA PNTD
8	3315505	1	MNT-ENGINE KBA INNER
9	3332458	1	RAD/OIL COOLER, 10X, AL
10	3334426	1	ISOLATOR-RAD MOUNT 5/16-18
11	3334427	1	MOUNT - RAD UPPER KBA
12	3334429	1	MOUNT-RAD LOWER KBA 2203
13	3334994	1	WELD-ENGINE PAN, GM 1.6L, ARMA
14	3335591	1	MNT-BTM RAD, V2203 DSL
15	3337999	1	SHROUD-RAD. 10X
16	3341811	1	PAD-RADIATOR MOUNT 5550
17	3332643	2	HOSE-UPPER H25-4 CORE
18	3400019	2	SCR-HEX 1/2-13 X 2.50 ZP
19	711250	2	SCR-HEX 3/8 -16X1.25 ZP
20	711228	2	BOLT-HH 5/16-18X3/4
21	711206	4	SCREW-HHM 1/4-20 X .875 LG ZP
22	3400065	2	NUT-HEX 1/2-13 ZP
23	3400070	2	NUT-HEX 5/16-18 ZP
24	711376	2	NUT-HEX 1/2-13 ES ZP
25	711380	2	NUT-HEX 3/8-16 ES ZP
26	711506	4	WASHER 5/16 ID .688 OD X .065 THK
27	711505	8	WASHER 1/4 ID .63 OD X .065 THK
28	3400091	4	WASHER-FENDER 1/2 ZP
29	3400098	6	WSR-LOCK 1/2, ZP
30	711545	2	WSR-LOCK 5/16, ZP
31	711544	4	WASHER-LOCK 1/4 SPLIT ZP
32	3400256	1	FTG-PIPE PLUG 1/4 MPT
33	3400278	4	WASHER-FENDER 3/8 ZP
34	3400296	2	SCR-HEX M12 X 1.25 X 30 MM, ZP
35	3401663	2	SCR-HEX M14-1.5 X 30 MM ZP

2203 KUBOTA ENGINE - MOUNTS AND HOSE RETAINER



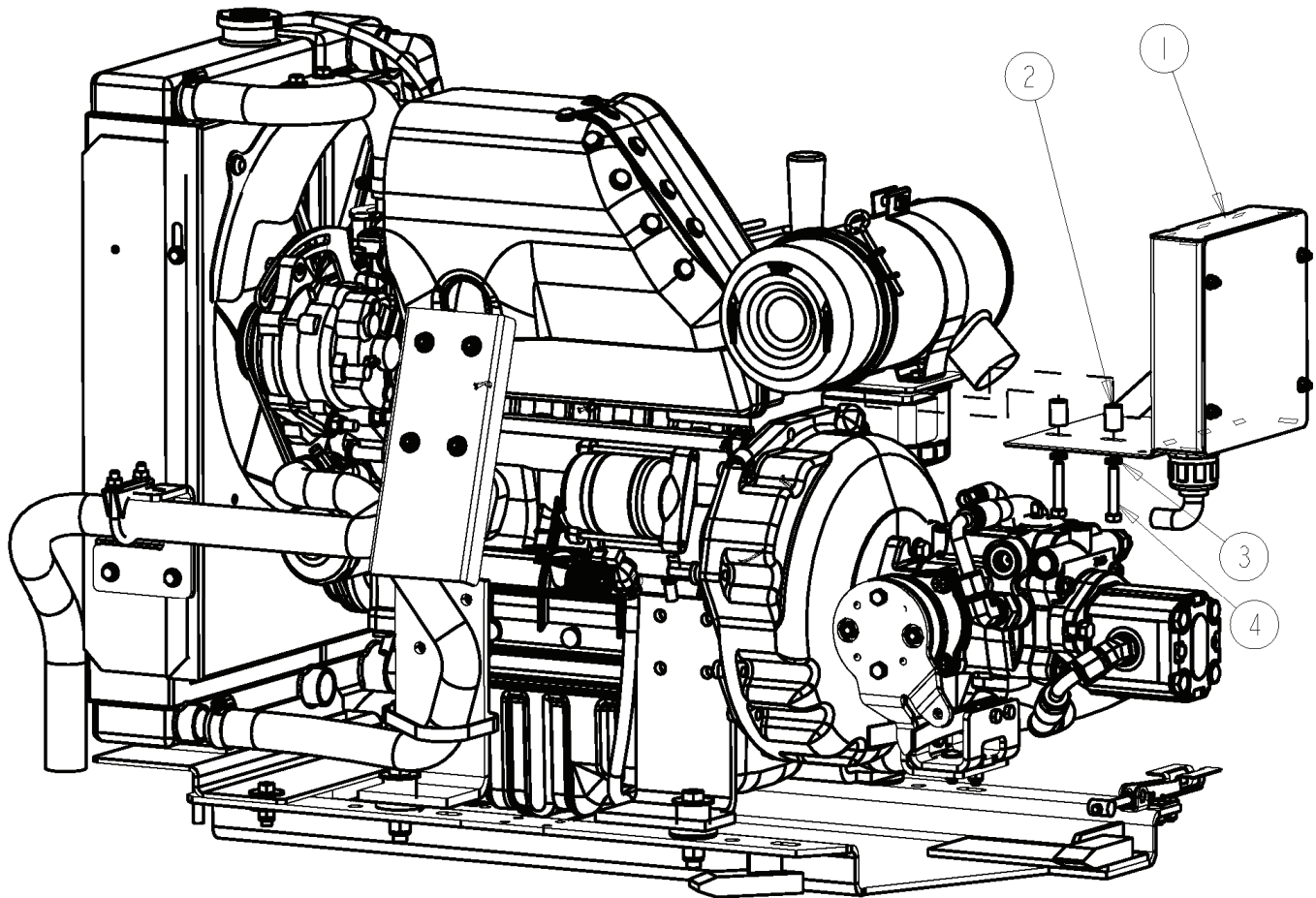
2203 KUBOTA ENGINE - MOUNTS AND HOSE RETAINER			
ITEM	PART NO.	REQ'D	DESCRIPTION
1	3300464	2	ISOLATOR - RUBBER, 1.24 DIAMx1.25 LG
2	3305251	1	FTG-OIL PAN DRAIN KUBOTA
3	3307829	1	FTG-HOSE BARB 1/2 X 3/8 MPT
4	3307830	1	FTG-CAP 3/8 FPT
5	3307919	1	MNT-ENG-REAR OUTER KBA PNTD
6	3307935	1	BRKT-HOSE RETAIN KBA DSL PNTD
7	3307955	1	MNT-FUEL FILTER KBA DSL PNTD
8	3315501	1	MNT-ENGINE KBA OUTER
9	3315508	1	MNT-HOSE RETAINER BRKT
10	3333302	1	WELD - HOSE RETAINER SW/A
11	3333303	1	COVER - HOSE RETAINER SHORT
12	3334083	1	BRKT-THROTTLE CABLE KBA 2203
13	3334994	1	WELD-ENGINE PAN, GM 1.6L, ARMA
14	3337544	1	LATCH - ENGINE SWING
15	3400019	1	SCR-HEX 1/2-13 X 2.50 ZP
16	3400020	1	SCR-HEX,1/2-13 X 2.00 ZP
17	711250	2	SCR-HEX 3/8 -16X1.25 ZP
18	713002	4	SCR-HEX 1/4-20X.75 ZP
19	711376	2	NUT-HEX 1/2-13 ES ZP
20	711380	2	NUT-HEX 3/8-16 ES ZP
21	711373	8	NUT-HEX 1/4-20 ES ZP
22	3400086	11	WASHER-FLAT 1/2 STANDARD ZP
23	712301	2	WASHER 3/8 ID .81 OD X .065 THK
24	711519	2	WASHER 1/4 ID 1.0 OD X .074 THK
25	3400091	2	WASHER-FENDER 1/2 ZP
26	3400098	7	WSR-LOCK 1/2, ZP
27	3400296	5	SCR-HEX M12 X 1.25 X 30 MM, ZP
28	3400433	4	SCR-HEX,1/4-20X2.50 ZP
29	3400999	2	CLAMP- P TYPE 1 DIA, ZP VINYL COATED
30	3401663	2	SCR-HEX M14-1.5 X 30 MM ZP
31	3500135	1	HOSE-1/2 ID EEC-PCV

2203 KUBOTA ENGINE - AIR AND EXHAUST



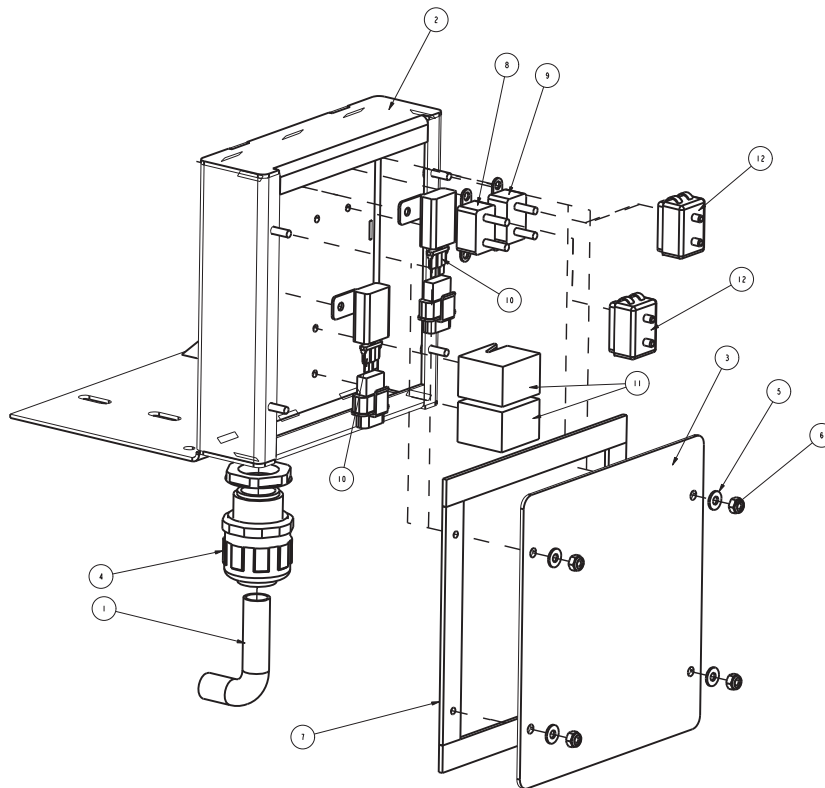
2203 KUBOTA ENGINE - AIR AND EXHAUST			
ITEM	PART NO.	REQ'D	DESCRIPTION
1	3044112	4	CLAMP - HOSE, DIA. 2.5" SS
2	3300459	2	BAND-MTG AIR CLEANER PNTD BLK
3	3303031	1	AIR CLNR - HEAVY DUTY
-	3302842	1	ELEMENT-AIR CLNR/METAL (NOT SHOWN)
-	3302597	1	ELEMENT-AIR CLNR/METAL SAFETY (NOT SHOWN)
4	3315500	1	MNT-AIR CLEANER HAYES
5	3315676	2	HOSE-AIR INTAKE MANIF. ARMA
6	3321178	1	ENGINE PAN, GM 1.6L
7	3331507	4	BOLT-060
8	3332122	1	GASKET, MUFFLER
9	3335989	2	CLAMP-EXHAUST UNIVERSAL 2-1/8" DIA (SP)
10	3338212	1	TAILPIPE - 10X 2" DIA
11	3338422	1	MANIFOLD,EXHAUST
12	3338423	1	GASKET,EX-MANIFOLD
13	3338424	1	GASKET,EX-MANIFOLD
14	3338431	1	WDT-EXHAUST PIPE
15	3338432	1	MUFFLER
16	3338433	1	MUFFLER BRKT
17	3350248	1	TUBE-AIR INTAKE 10X
18	713042	2	SCREW-HHM 3/8-16 X 1.0 LG ZP
19	711228	4	BOLT-HH 5/16-18X3/4
20	3400070	4	NUT-HEX 5/16-18 ZP
21	3400086	2	WASHER-FLAT 1/2 STANDARD ZP
22	712301	2	WASHER 3/8 ID .81 OD X .065 THK
23	711506	4	WASHER 5/16 ID .688 OD X .065 THK
24	3400094	4	WASHER-FLAT 5/8 ZP
25	3400098	6	WSR-LOCK 1/2, ZP
26	711546	6	WASHER-LOCK 3/8 SPLIT ZP
27	711545	4	WSR-LOCK 5/16, ZP
28	3400296	6	SCR-HEX M12 X 1.25 X 30 MM, ZP

2203 KUBOTA ENGINE - FUSE PANEL



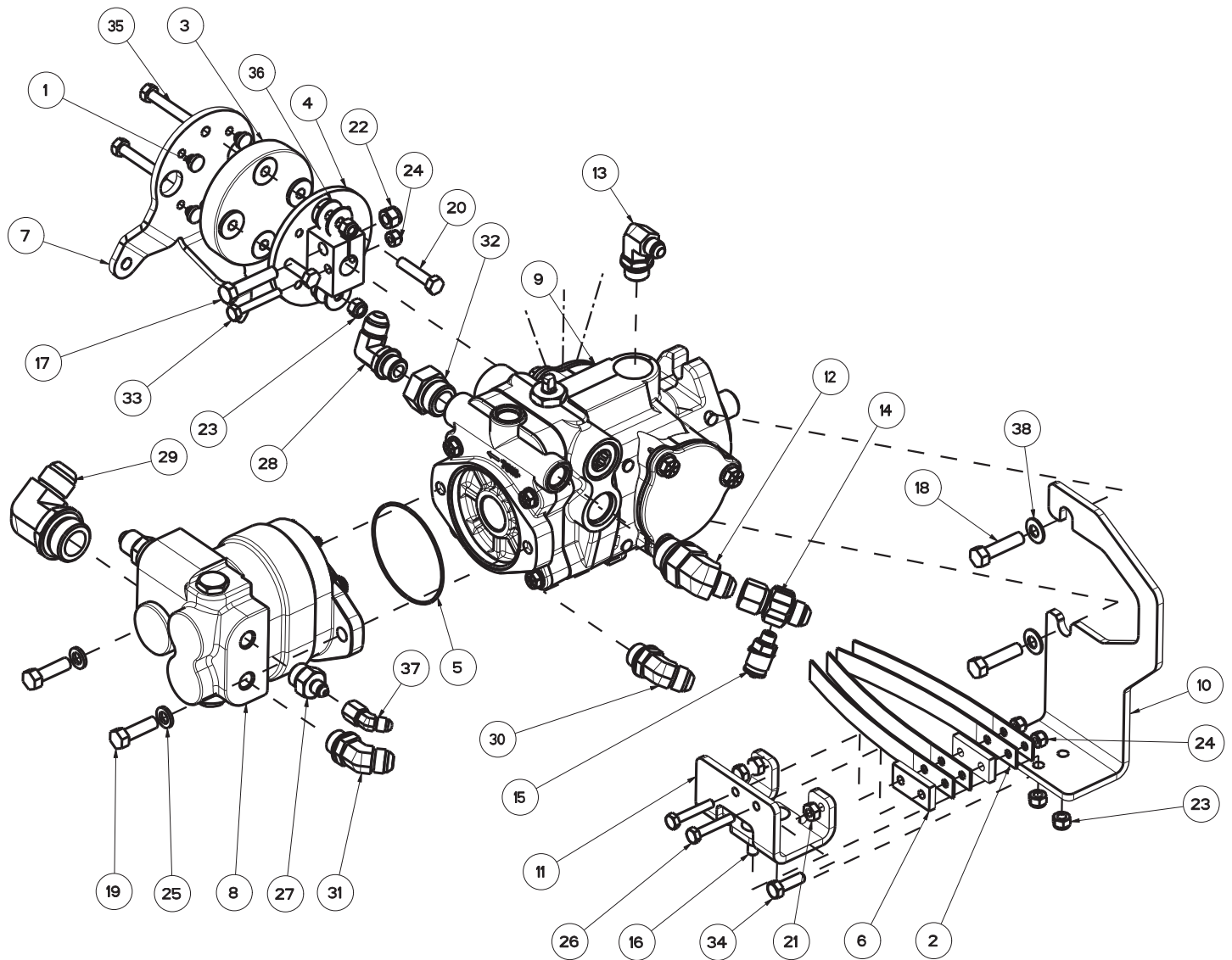
2203 KUBOTA ENGINE - FUSE PANEL			
ITEM	PART NO.	REQ'D	DESCRIPTION
1	3336080	1	ASSY-FUSE BOX COMPLETE
2	3342109	2	SPACER
3	711545	2	WASHER
4	3401513	2	BOLT

2203 KUBOTA ENGINE - FUSE BOX DETAIL



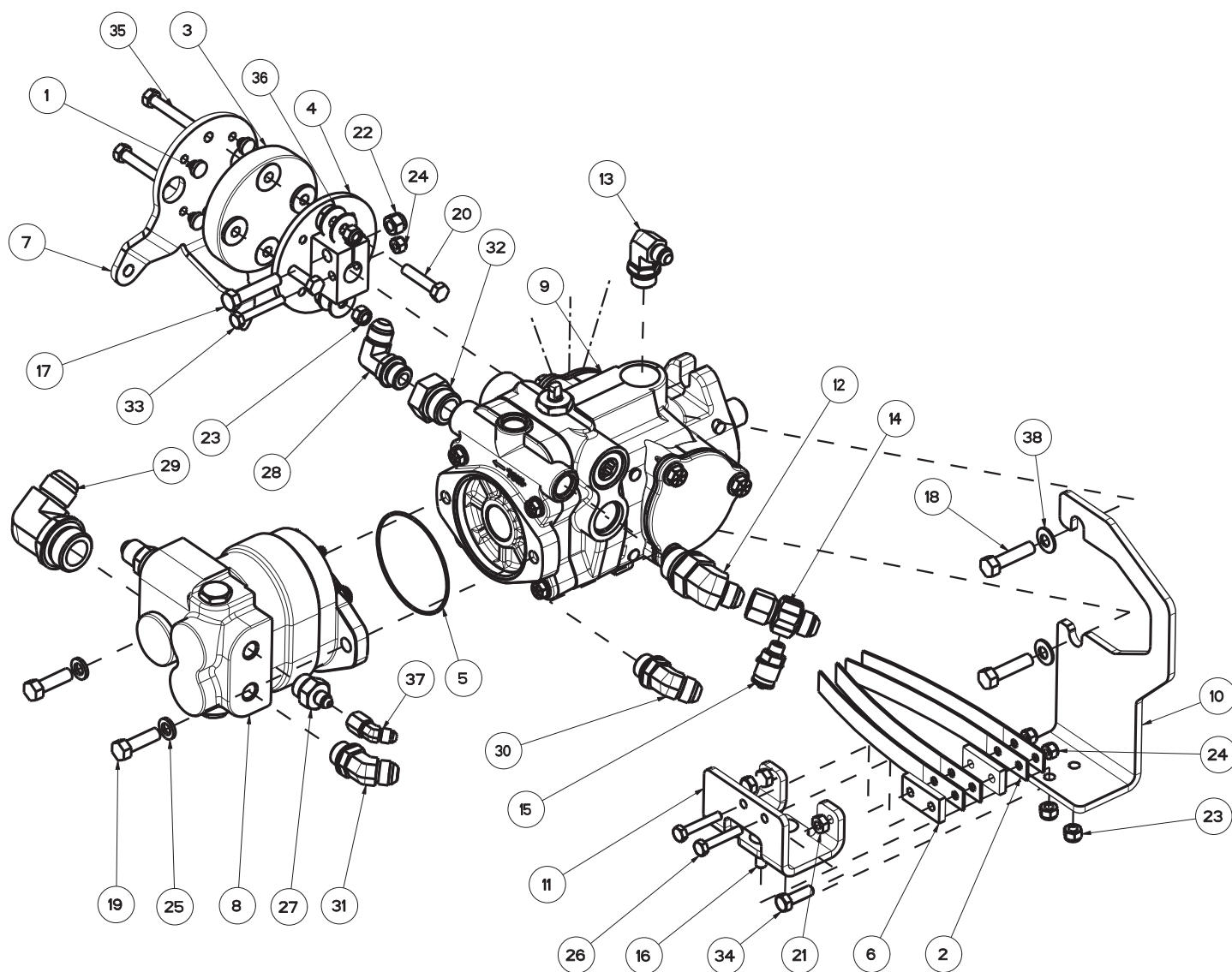
2203 KUBOTA ENGINE - FUSE BOX DETAIL			
ITEM	PART NO.	REQ'D	DESCRIPTION
1	3335664	1	KIT-PANEL W/WIRING HARNESS (Includes Items 8-11)
2	3336073	1	WELD-FUSE BOX
3	3336077	1	PLT-COVER FUSE BOX
4	3336079	1	FTG-CONDUIT 1" FLEX CONNECTOR
5	711503	4	WASHER-FLAT #10 ZP
6	711350	4	NUT-HEX JAM #10-32 ES ZP
7	3500246	2.375'	GASKET-OPEN CELL, 1/8x3/4
8	3334051	1	BREAKER-40 AMP DIESEL
9	3334052	1	BREAKER-30 AMP DIESEL
10	3335329	2	FUSE - 10 AMP
11	3344053	2	RELAY-SPDT DIESEL
12	3342910	2	BOOT-INSULATOR-RED FOR CIRCUIT BREAKER

2203 KUBOTA ENGINE - HYDRAULIC PUMP DETAIL



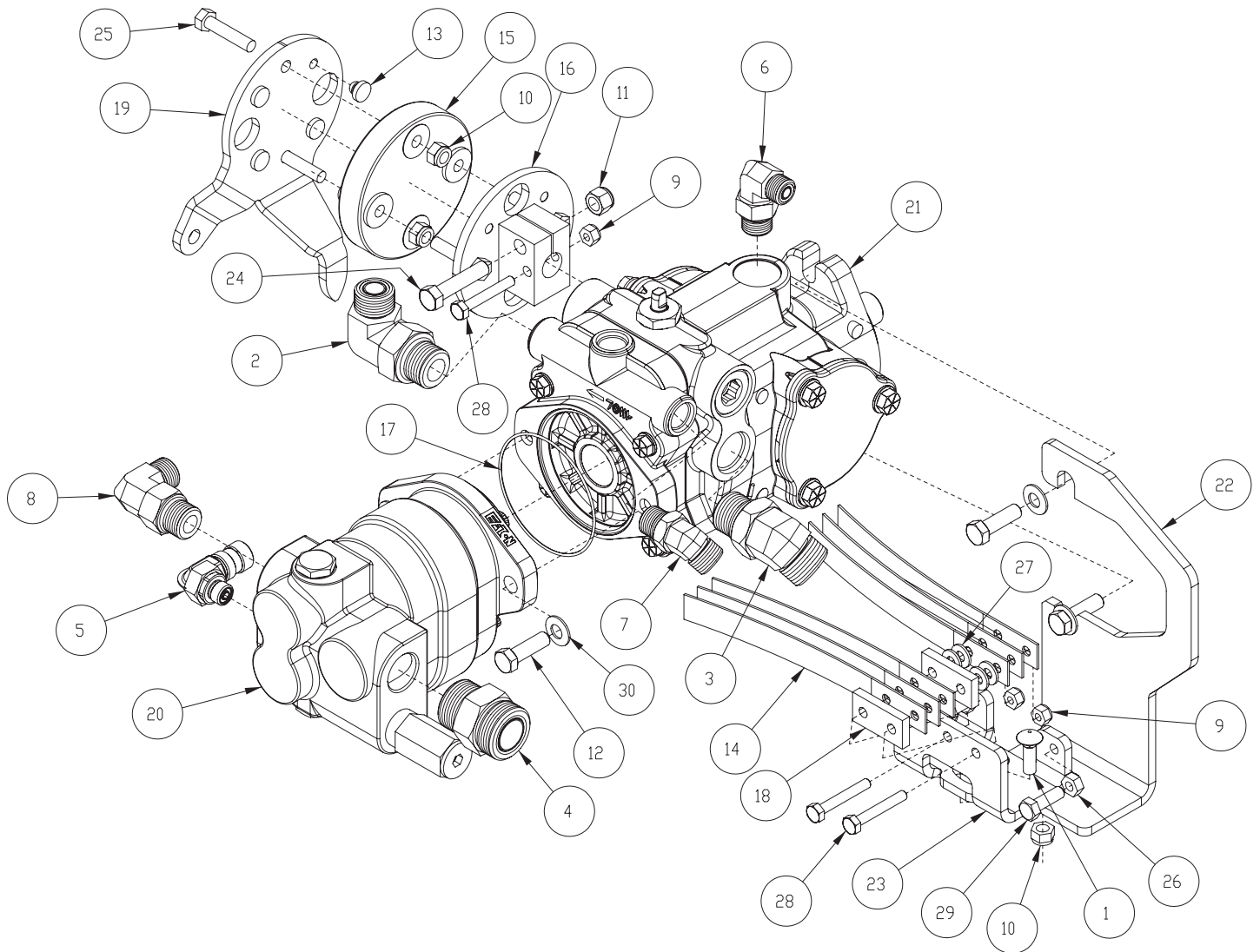
2203 KUBOTA ENGINE - HYDRAULIC PUMP DETAIL			
ITEM	PART NO.	REQ'D	DESCRIPTION
1	3300526	8	BUMPER-RUBBER 1/4 ID X 1/8 THK
2	3300543	4	SPRING-FWD/REV RETURN
3	3301507	1	COUPLING-RUBBER, DIR CONTROL
4	3301544	1	WELD-DISC FWD/REV
5	3303711	1	O RING-STATIC SEAL 3.239 ID
6	3303918	2	SPACER-FWD/REV BRACKET
7	3307219	1	PLT-DIRECTIONAL CONT PLTD
8	3321397	1	PUMP-HYDRAULIC AUX W/FLOW DIVIDER
-	3321399	1	KIT-SEAL AUX PUMP
9	3335072	1	PUMP-PISTON, VARIABLE, 1.44 CI
-	3344553	1	SEAL REPAIR KIT FOR MAIN PUMP
10	3335200	1	PLT - FWD/REV SPRING MNT V1505
11	3335301	1	BRACKET - FWD/REV . 9X
12	3335709	1	FTG-45° 1-1/16-12 X 1/2", STR#12-JIC37°#8
13	3341130	1	FTG-90 3/4-16 TO #6
14	3342204	1	FTG-GAUGE PORT
15	3342205	1	COUPLING-TEST 4 MALE 0-ROMG (7/16-20)
16	3400009	2	SCR-CAR,5/16-18X1.00
17	3400027	1	SCR-HEX,3/8-16X1.75
18	713044	2	SCR-HEX,3/8-16x1.50
19	711250	2	SCR-HEX, 3/8-16x1.25
20	3400033	2	SCR-HEX,5/16-18X1.50
21	711322	2	NUT-HEX 5/16-24
22	711380	1	NUT-HEX 3/8-16 ES
23	711374	6	NUT-HEX 5/16-18 ES
24	711373	3	NUT-HEX 1/4-20 ES
25	711546	2	WASHER-LOCK 3/8 SPLIT
26	713005	2	SCR-HEX,1/4-20x1.50
27	3400150	1	FTG-STR 3/4-16 TO #4
28	3400154	1	FTG-90 3/4-16 TO #8
29	3400156	1	FTG-90 1 5/16-12 TO #16
30	3400157	1	FTG-45° 3/4-16 TO #8

2203 KUBOTA ENGINE - HYDRAULIC PUMP DETAIL (CONTINUED)



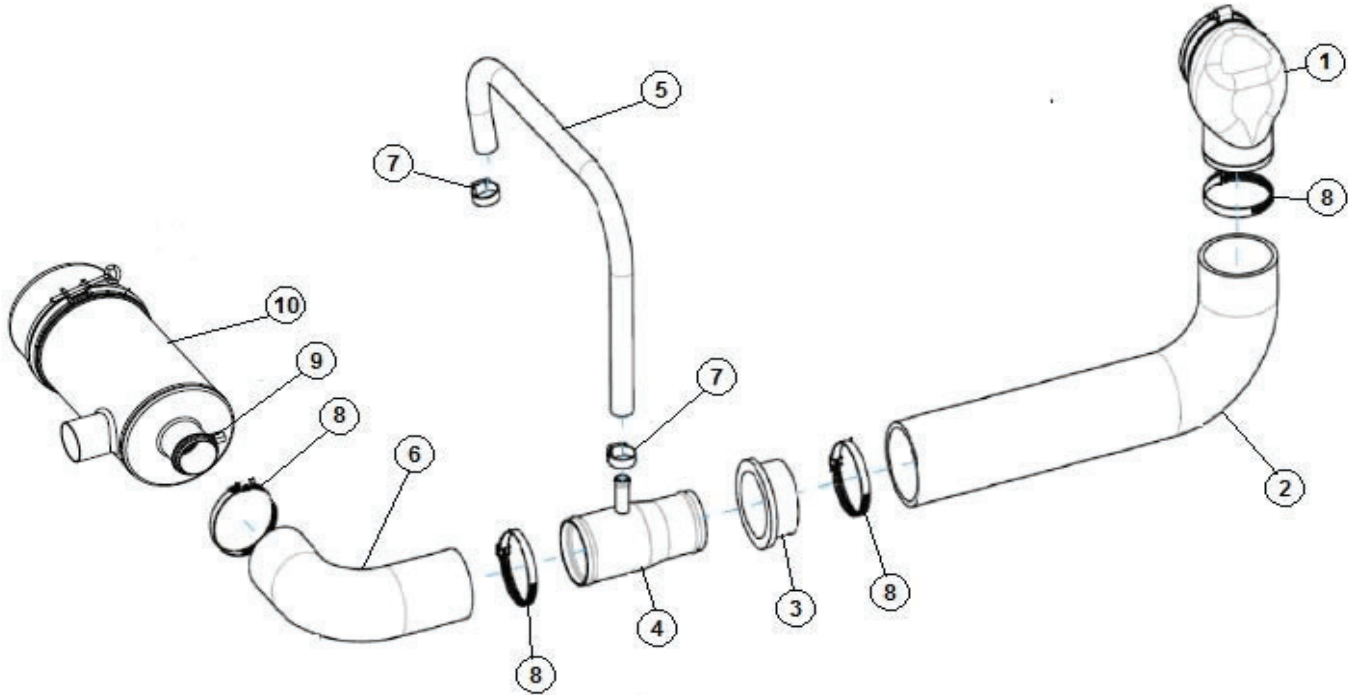
2203 KUBOTA ENGINE - HYDRAULIC PUMP DETAIL (CONTINUED)			
ITEM	PART NO.	REQ'D	DESCRIPTION
31	3400158	1	FTG-45° 7/8-14 TO #8
32	3400167	1	FTG-ADAPTER 1 1/6-12 EXT
33	3400173	1	SCR-HEX,1/4-20X1.75
34	3400221	2	SCR-HEX,5/16-24X1.00
35	3400231	2	SCR-HEX,5/16-18X2.0
36	3400233	4	WASHER-FENDER 5/16 1.00 OD
37	3400248	1	FTG-SWIVEL 45 ELL #4JIC 1/4
38	3400385	2	WASHER-CONICAL SPRING 3/8

ENGINE KUBOTA V1505 DIESEL, WG1605 GAS & LPG - HYDRAULIC PUMP DETAIL



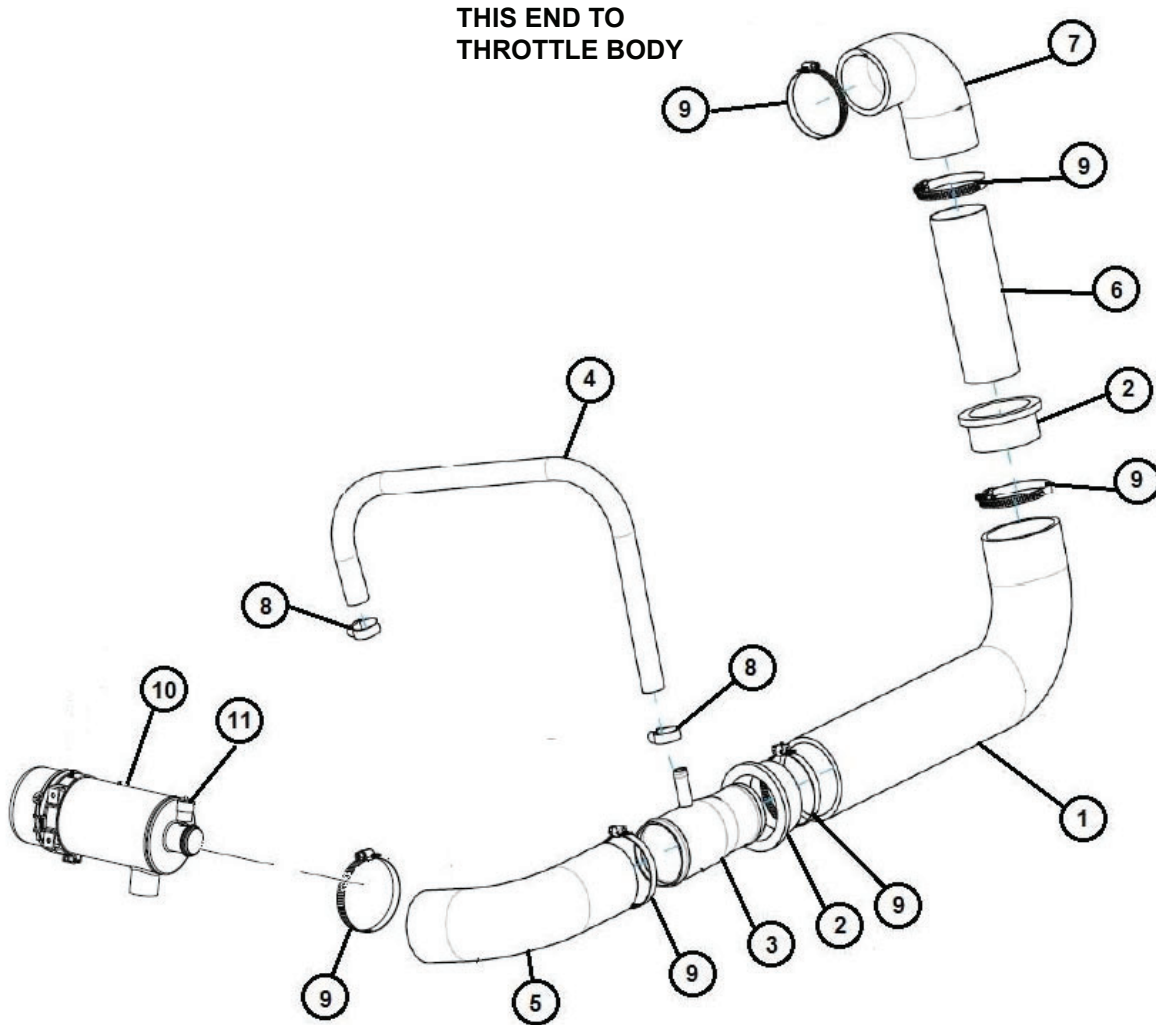
ENGINE KUBOTA V1505 DIESEL - HYDRAULIC PUMP DETAIL			
ITEM	PART NO.	REQ'D	DESCRIPTION
1	70-516-16	2	BLT-CARR 5/16-18 X 1 ZINC
2	675500	1	FTG-STR ELBOW -10 ORFS TO -12 SAE
3	675502	1	FTG-45 DEG STR ELBOW -12 ORFS TO -12 SAE
4	675505	1	FTG-STR THD CONNECTR -16 ORFS TO -16 SAE
5	675512	1	FTG-STR THD ELBOW -4 ORFS TO -8 SAE
6	675520	1	FTG-STR THD ELBOW -6 ORFS TO -8 SAE
7	675527	1	FTG-45 DEG STR THREAD ELBOW -8 ORFS TO
8	675528	1	FTG-STR THD ELBOW -8 ORFS TO -10 SAE
9	711373	3	NUT-NYLOC 1/4-20
10	711374	6	NUT-NYLOC 5/16-18
11	711380	1	NUT-NYLOC 3/8-16
12	713043	4	BLT-HH 3/8-16 X 1.25 #5
13	3300526	8	BUMPER-RUBBER 1/4 ID X 1/8 THK
14	3300543	6	SPRING-FWD/REV RETURN
15	3301507	1	COUPLING-RUBBER, DIR CONTROL
16	3301544	1	DISC FWD/REV ZP
17	3303711	1	ORING-STATIC SEAL 3.239 ID
18	3303918	2	SPACER-FWD/REV BRACKET ZP
19	3307219	1	PLATE-DIRECTIONAL CONT PLTD SW/A
20	3321397	1	PUMP-AUX HYDRAULIC (9XR, 9XD, 10X, AM9D)
21	3335072	1	PUMP-PISTON, VARIABLE, 1.44 CIR, PROPEL
22	3335200	1	PLATE- FWD/REV SPRING MNT V1505
23	3335301	1	BRKT-FWD/REV ZP. 9X
24	3400027	1	SCR-HEX, 3/8-16X1.75 ZP
25	3400033	4	SCR-HEX, 5/16-18X1.50 ZP
26	711322	2	NUT-HEX 5/16-24 ZP
27	711505	4	WASHER-FLAT 1/4 STANDARD ZP
28	3400173	3	SCR-HH, 1/4-20X1.75, PART THRD, GR 5, ZP
29	3400221	2	SCR-HH, 5/16-24X1.00 GR 5, ZP
30	3400385	4	WASHER-CONICAL SPRING 3/8

ENGINE KUBOTA WG1605 LPG - AIR CLEANER DETAIL



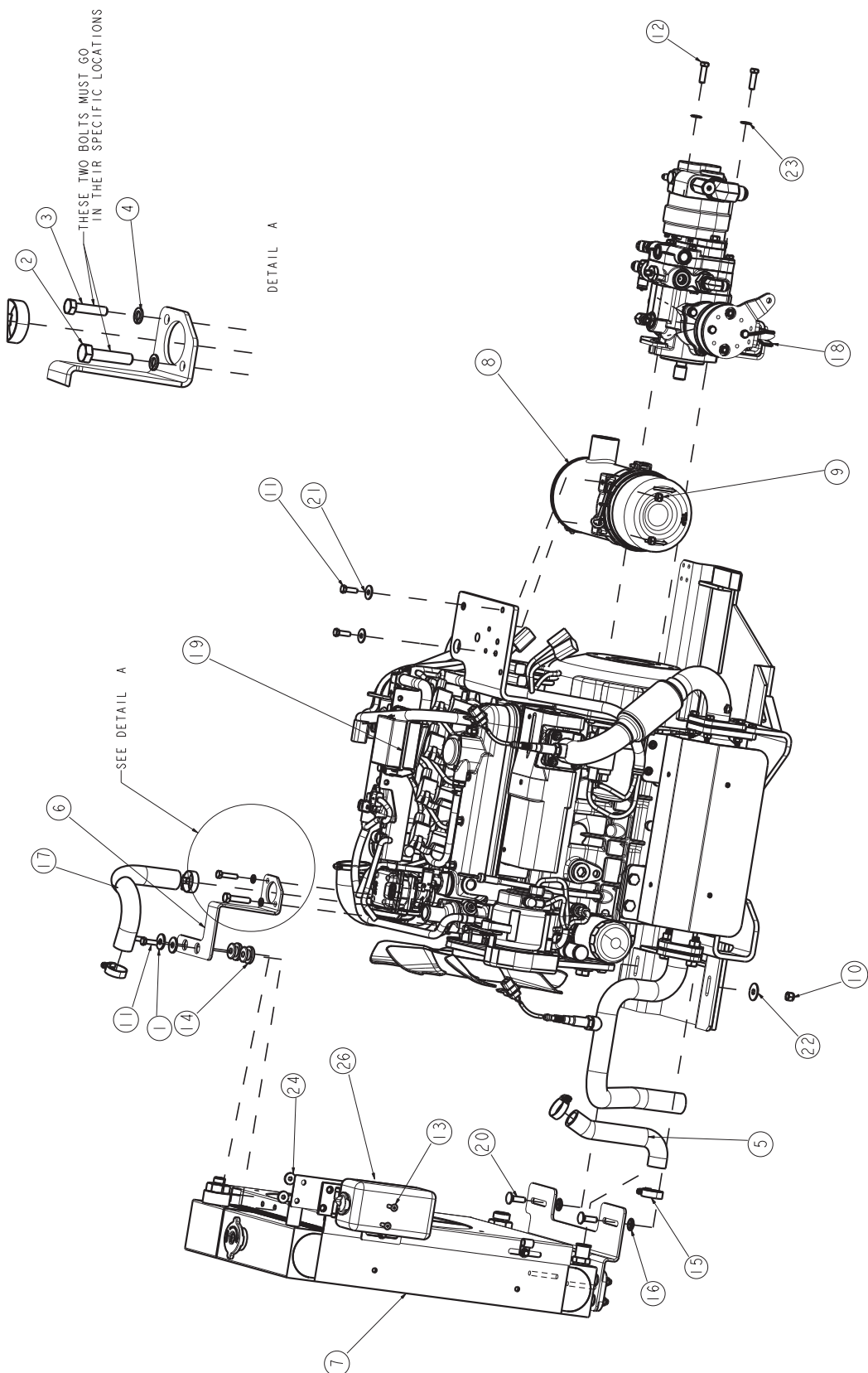
ENGINE KUBOTA WG1605 LPG - AIR CLEANER DETAIL			
ITEM	PART NO.	REQ'D	DESCRIPTION
1	620662	1	COUPLER NECK, THROTTLE BODY - 9X LP
2	690195	1	INDUCTION HOSE, ENGINE SIDE - 9X LP
3	620657	1	COUPLER, REDUCER, 2.5 TO 2.25 - 9X LP
4	690197	1	TUBE, INDUCTION - 9X LP
5	690198	1	HOSE, CRANK CASE VENT - 9X GAS/LP
6	690199	1	INDUCTION HOSE, AIR CLEANER SIDE - 9X
7	829129	2	CLAMP-HOSE WORM-DRV8-22MM HOSE DIA. 5/16
8	3044112	4	CLAMP-HOSE, SS, 2.50 MAX WORM
9	3303991	1	INDICATOR-AIR CLEANER RESTRICTION
10	3303031	1	AIR CLNR- HEAVY DUTY; CAP, MOUNT, HOUSING

ENGINE KUBOTA WG1605 GAS - AIR CLEANER DETAIL



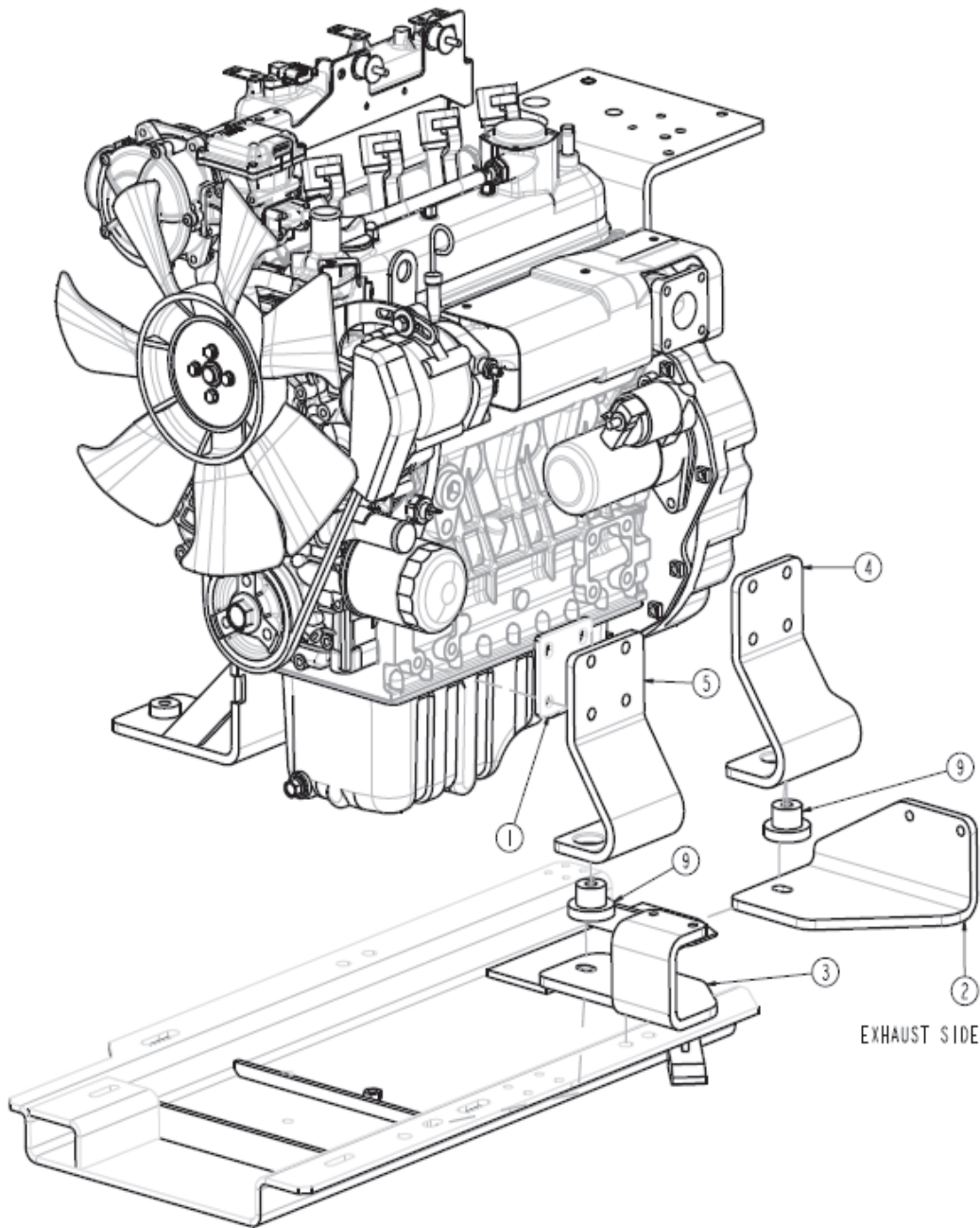
ENGINE KUBOTA WG1605 GAS - AIR CLEANER DETAIL			
ITEM	PART NO.	REQ'D	DESCRIPTION
1	690195	1	INDUCTION HOSE, ENGINE SIDE - 9X LP
2	620657	2	COUPLER, REDUCER, 2.5 TO 2.25 - 9X LP
3	690197	1	TUBE, INDUCTION - 9X LP
4	690198	1	HOSE, CRANK CASE VENT - 9X GAS/LP
5	690199	1	INDUCTION HOSE, AIR CLEANER SIDE - 9X
6	690223	1	TUBE, INDUCTION, UPPER
7	690224	1	INDUCTION HOSE, UPPER
8	829129	2	CLAMP-HOSE WORM-DRV8-22MM HOSE DIA. 5/16
9	3044112	6	CLAMP-HOSE, SS, 2.50 MAX WORM
10	3303031	1	AIR CLNR- HEAVY DUTY; CAP, MOUNT, HOUSING
11	3303991	1	INDICATOR-AIR CLEANER RESTRICTION

ENGINE KUBOTA WG1605 GAS & LPG ENGINE ASSEMBLY



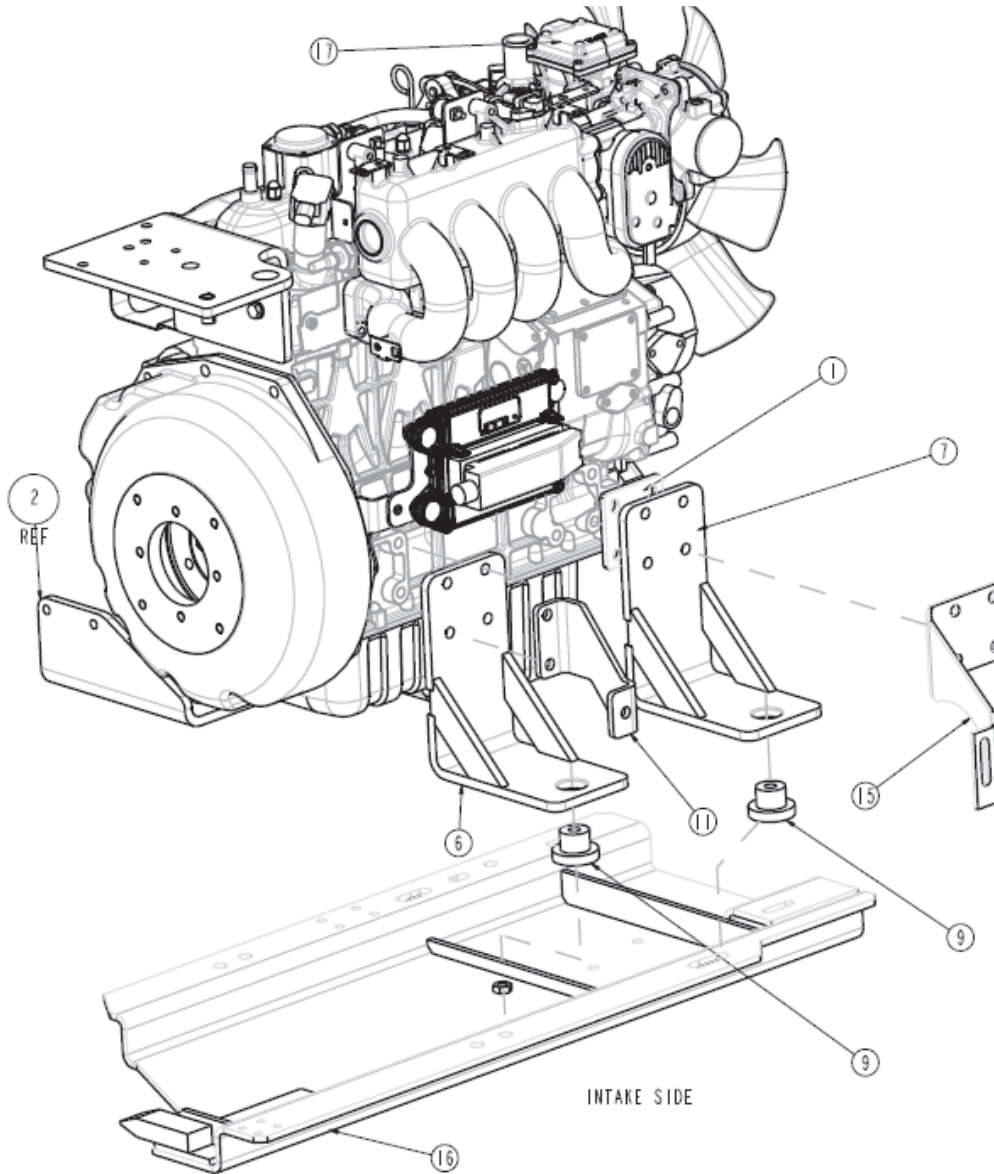
ENGINE KUBOTA WG1605 GAS & LPG ENGINE ASSEMBLY			
ITEM	PART NO.	REQ'D	DESCRIPTION
1	600363	2	WASHER-FLAT .39 X 1.12 X .1 ZP
2	600820	1	SCR-HH M8-1.25 X 45 ZP CLASS 8.8
3	600918	1	SCR-HH M8-1.25 X 35 ZP CLASS 8.8
4	600959	2	WASHER-LOCK M8 ZINC SPLIT
5	690020	1	LOWER RADIATOR HOSE, AM9D
6	690161	1	BRKT, RADIATOR UPPER - 9X LP/GAS
7	690125	1	RADIATOR-OIL COOLER, LP/GAS/DSL
8	690204	1	GROUP, AIR CLEANER - 9X
9	711374	2	NUT-NYLOC 5/16-18 ZP
10	711380	2	NUT-NYLOC 3/8-16 ZP
11	713027	4	SCR-HH 5/16-18 X 1 ZP GR 5
12	713043	2	SCR-HH 3/8-16 X 1.25 ZP GR 5
13	731382	2	SCR-FHSCS M6-1.00 X 20 ZP
14	3300465	2	ISOLATOR-RUBBER (.375IDx.81OD)
15	3303255	4	CLAMP-HOSE 1.75 DIA NOMINAL
16	3316981	2	NUT-PUSH RETAINER 3/8 BOLT, 25/32 OD ZP
17	3332643	1	HOSE-RAD UPPER 1505 (COOLER)
18	3338792	1	ASSY-HYDRAULIC PUMPS ARMA, 10X
19	690176	1	ENGINE, BASE - 9X LP
	690221	1	ENGINE, RAW, WG1605, GASOLINE - 9X
20	3400007	2	BLT-CARR 3/8-16 X 1.25 ZP
21	3400233	2	WASHER-FENDER 5/16 X 1.00 ZP
22	3400278	2	WASHER-FENDER 3/8 X 1.25 ZP
23	3400385	2	WASHER-CONICAL SPRING 3/8
24	12040044	2	NUT-NYLOC M6 X 1.0 ZP CLASS 6
25	12347027	2	WASHER-FLAT M6.6 X 22 X 2 ZP
26	3318752	1	RSRVR-COOLANT OVRFLW

ENGINE KUBOTA WG1605 GAS & LPG - MOUNTS-EXHAUST SIDE



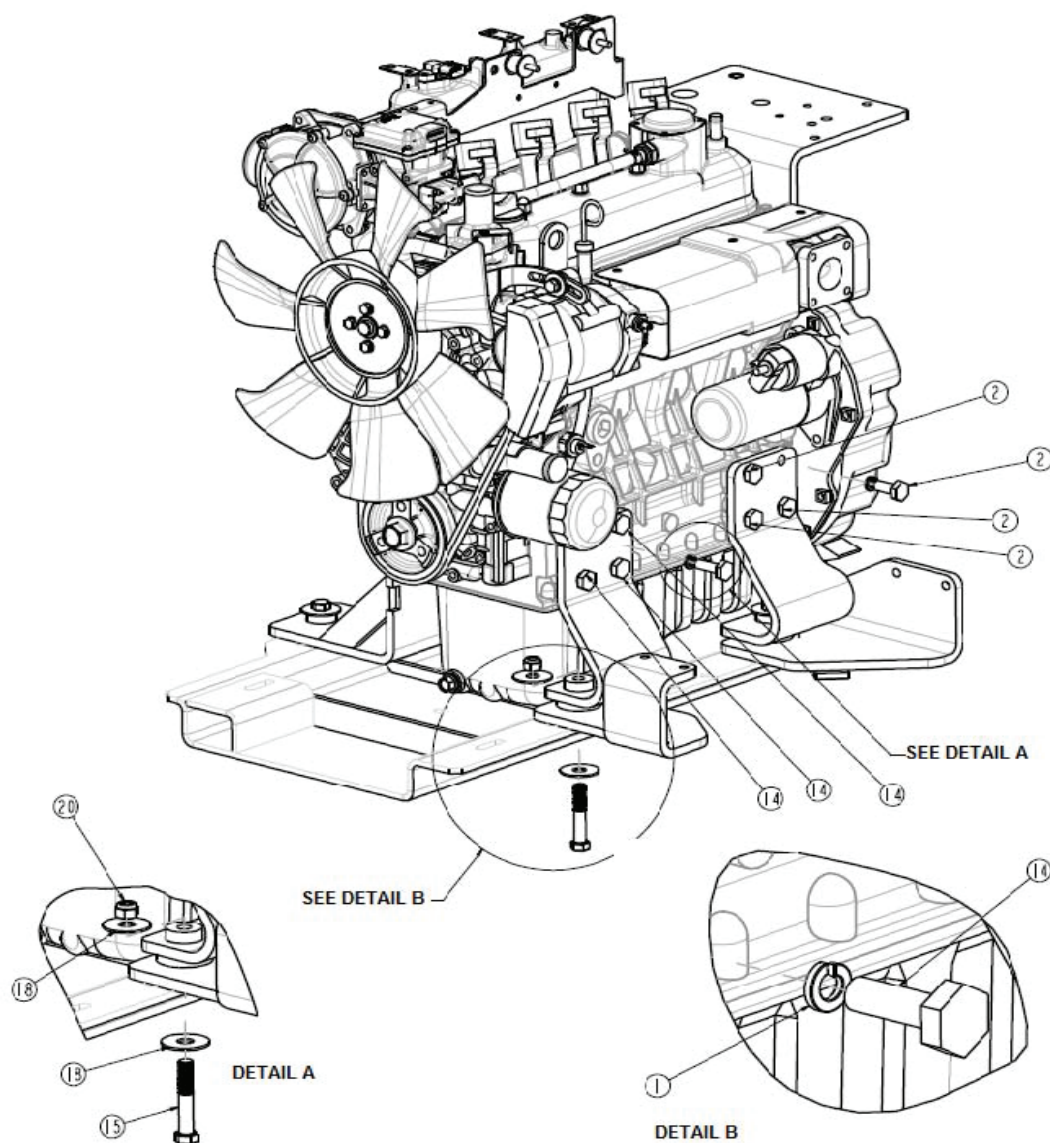
ENGINE KUBOTA WG1605 GAS & LPG - MOUNTS-EXHAUST SIDE			
ITEM	PART NO.	REQ'D	DESCRIPTION
1	690030	2	SPACER, ENGINE MOUNT
2	690162	1	BRACKET, CAT CONV. SUPPORT
3	690163	1	BRACKET, CAT CONV. OUTER
4	690165	1	MOUNT - FOOT LEFT REAR
5	690166	1	MOUNT - FOOT LEFT FRONT
9	690175	4	ISOLATOR - ENGINE MOUNT

ENGINE KUBOTA WG1605 GAS & LPG - MOUNTS-INTAKE SIDE



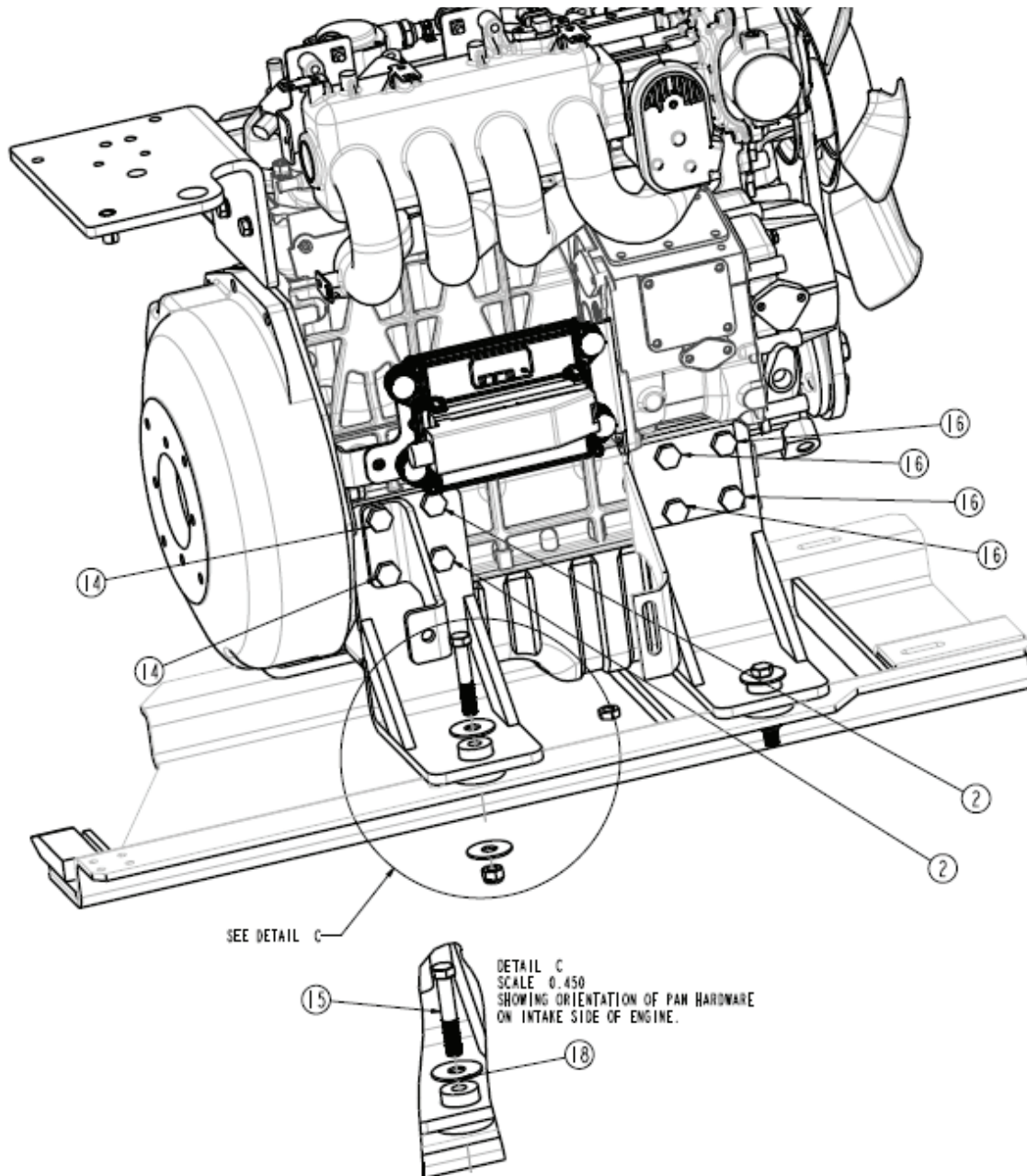
ENGINE KUBOTA WG1605 GAS & LPG - MOUNTS-INTAKE SIDE			
ITEM	PART NO.	REQ'D	DESCRIPTION
1	690030	2	SPACER, ENGINE MOUNT
2	690162	1	BRACKET, CAT CONV. SUPPORT
6	690167	1	MOUNT - FOOT RIGHT REAR
7	690168	1	MOUNT - FOOT RIGHT FRONT
9	690175	4	ISOLATOR, ENGINE MOUNT
11	690177	1	BRACKET-HOSE HOLDER - REAR
15	3333301P	1	BRACKET - HOSE RETAINER
16	3334994M	1	ENGINE PAN
17	690176	1	ENGINE - LPG
	690221	1	ENGINE - GAS

ENGINE KUBOTA WG1605 GAS & LPG - MOUNTING FASTENER DETAIL



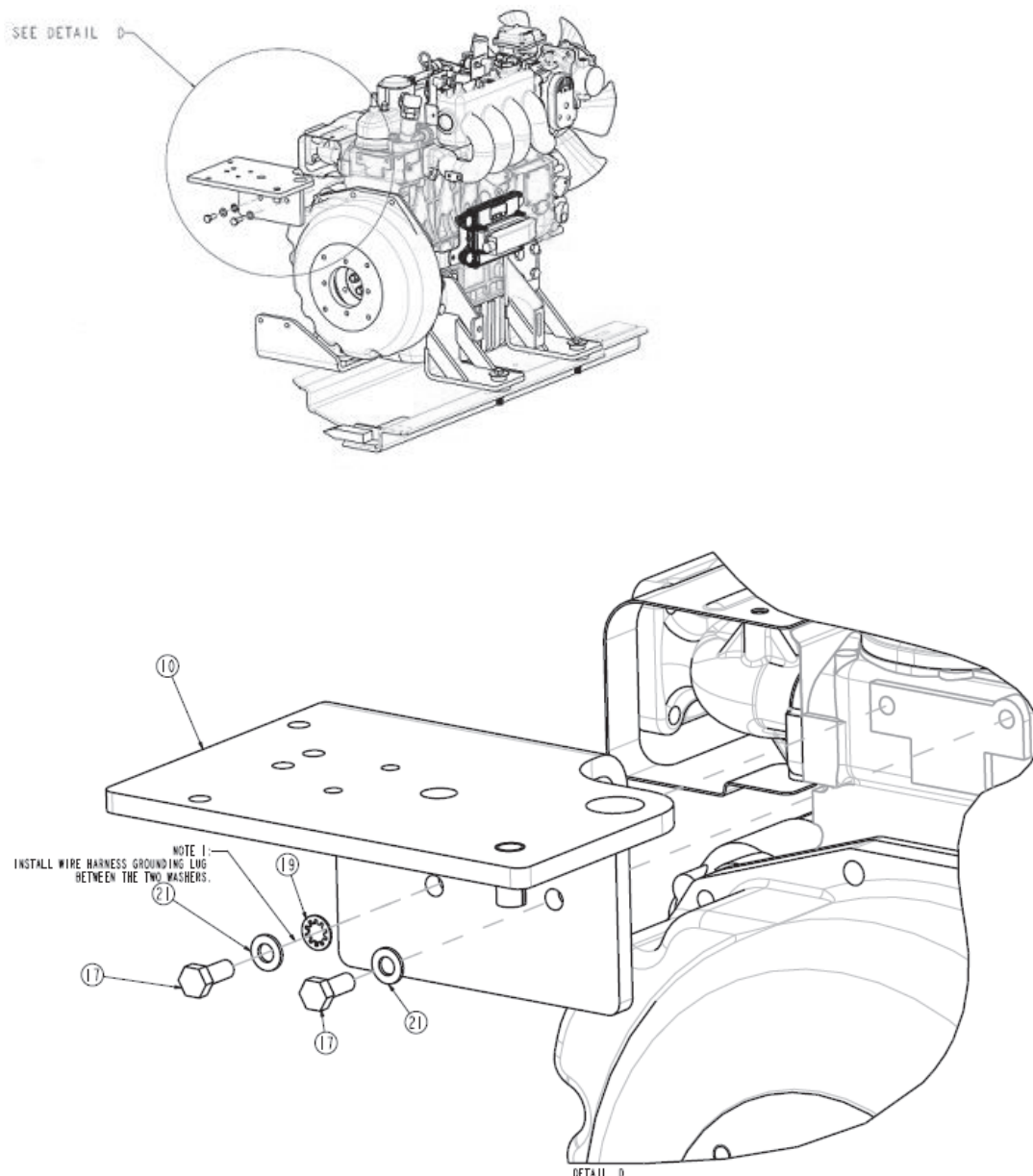
ENGINE KUBOTA WG1605 GAS & LPG - MOUNTING FASTENER DETAIL			
ITEM	PART NO.	REQ'D	DESCRIPTION
1	600945	16	LOCKWASHER M10
2	620082	6	BOLT M10 1.25 x .25 HH STL ZP (CLEAR)
14	713038	6	M10 - 1.25 x 30mm HHCS
15	713534	4	BOLT-HH 7/16 - 14 x 2.5 GRADE 5 ZINC
18	3400091	8	WASHER FENDER 1/2 ZP
20	3401429	4	NUT - 7/16 - 14 ES ZPBRACKET-HOSE RETAINER

ENGINE KUBOTA WG1605 GAS & LPG - MOUNTING FASTENER DETAIL



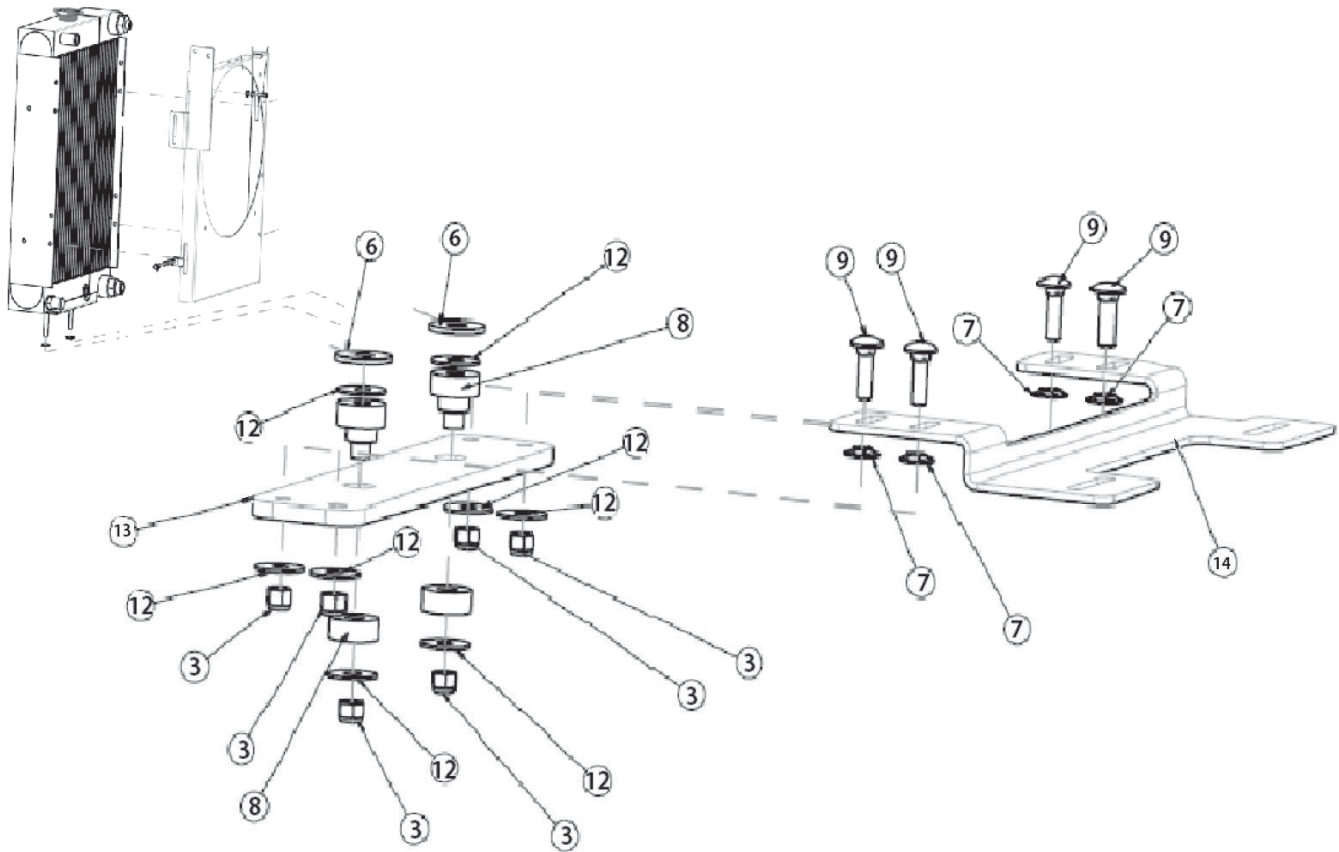
ENGINE KUBOTA WG1605 GAS & LPG - MOUNTING FASTENER DETAIL			
ITEM	PART NO.	REQ'D	DESCRIPTION
2	620082	6	BOLT M10 1.25 x .25 HH STL ZP (CLEAR)
14	713038	6	M10 - 1.25 x 30mm HHCS
15	713534	4	BOLT-HH 7/16 - 14 x 2.5 GRADE 5 ZINC
16	713535	4	HHCS M10 - 1.25 x 35mm GR 8.8 ZINC
18	3400091	8	WASHER FENDER 1/2 ZP
20	3401429	4	NUT - 7/16 - 14 ES ZPBRACKET-HOSE RETAINER

ENGINE KUBOTA WG1605 GAS & LPG - MOUNTING AIR CLEANER BRACKET



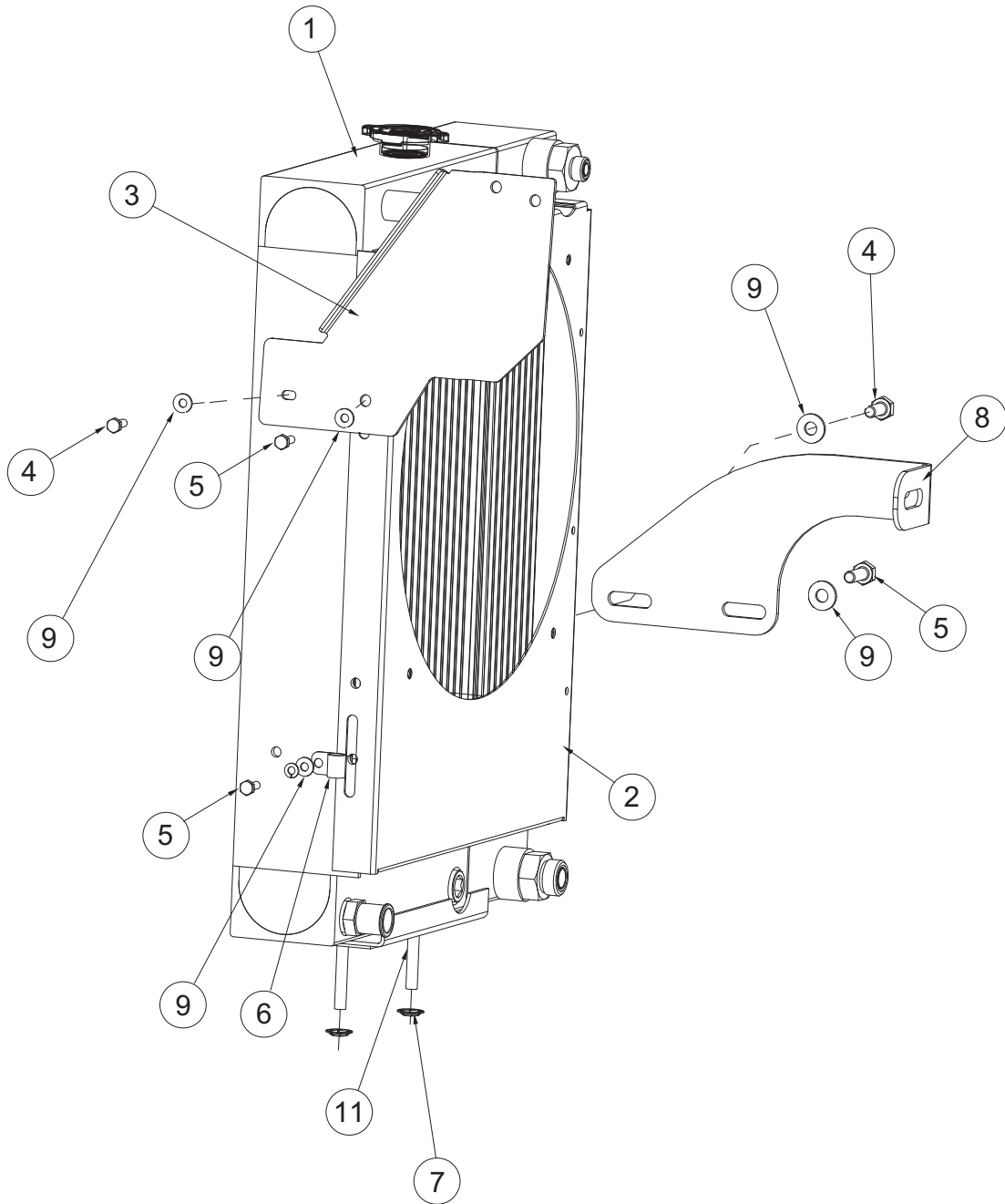
ENGINE KUBOTA WG1605 GAS & LPG - MOUNTING AIR CLEANER BRACKET			
ITEM	PART NO.	REQ'D	DESCRIPTION
10	690173	4	BRKT, AIR CLEANER - 9X LP/GAS
17	717024	2	SCR-HH M8-1.25 X 20 ZP GRADE 8.8
19	3400273	1	WASHER-INT LOCK 5/16 ZP
21	12310041	2	WASHER-FLAT M8.4 X 16 X 1.6 ZP

ENGINE KUBOTA WG1605 GAS & LPG - RADIATOR MOUNTS



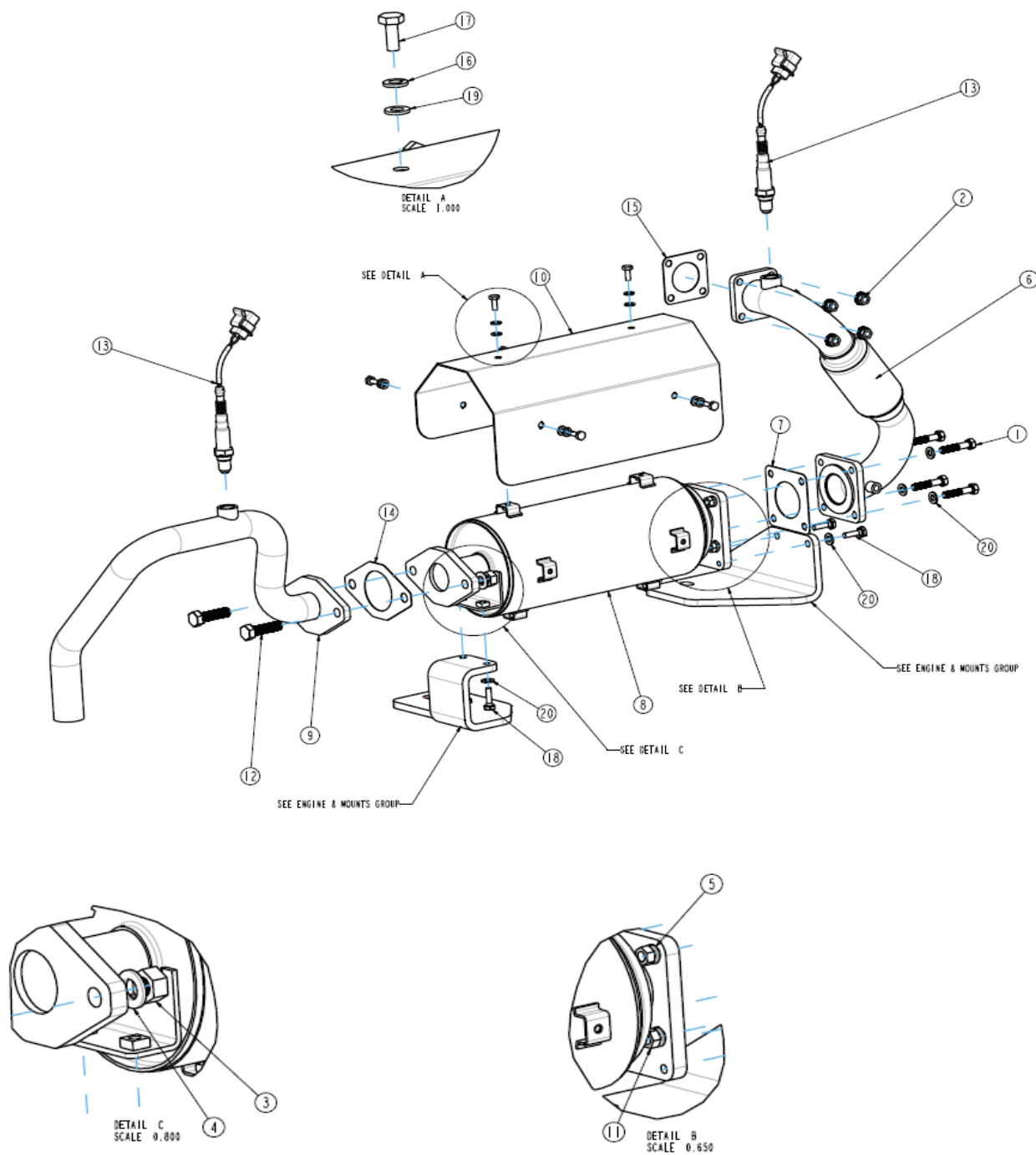
ENGINE KUBOTA WG1605 GAS & LPG - RADIATOR MOUNTS			
ITEM	PART NO.	REQ'D	DESCRIPTION
3	711380	6	NUT-NYLOC 3/8-16 ZP
6	730528	2	WASHER-FENDER M12 X 37 SS
7	3316981	4	NUT-PUSH RETAINER 3/8 BOLT, 25/32 OD ZP
8	3344110	2	ISOLATOR-BONDED BUSHING BOTT RAD
9	3400007	4	BLT-CARR 3/8-16 X 1.25 ZP
12	3400278	8	WASHER-FENDER 3/8 X 1.25 ZP
13	3336634	1	PLATE- RADIATOR MNT
14	690124	1	PLATE BASE - RADIATOR MNT

ENGINE KUBOTA WG1605 GAS & LPG - RADIATOR



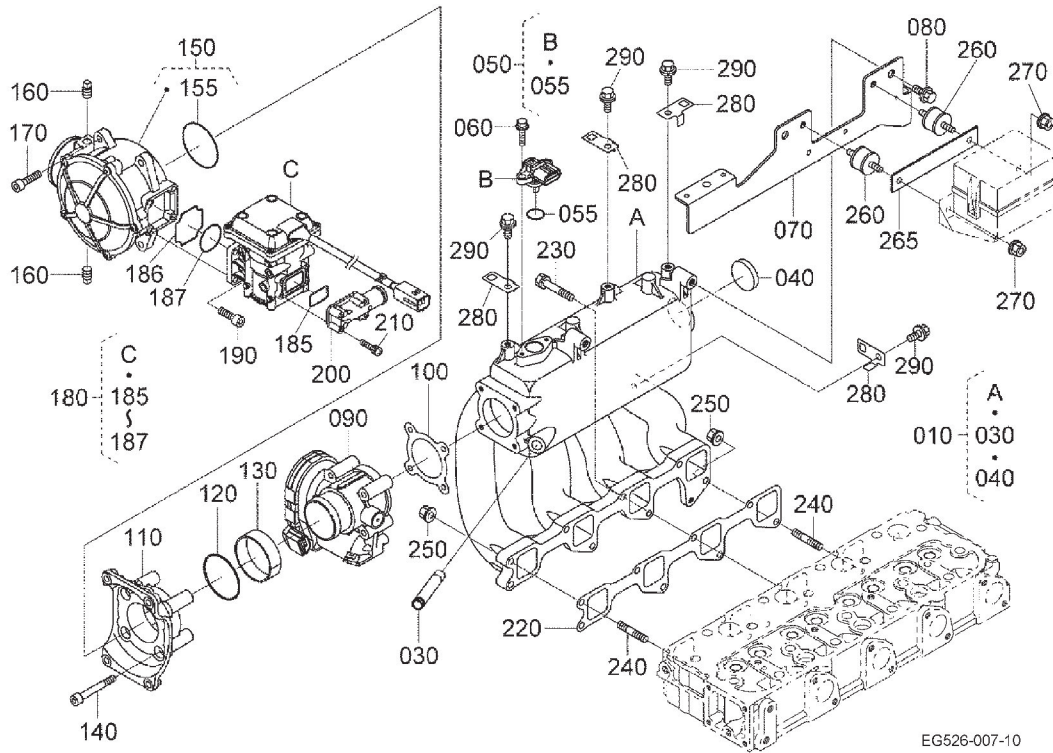
ENGINE KUBOTA WG1605 GAS & LPG - RADIATOR			
ITEM	PART NO.	REQ'D	DESCRIPTION
1	690125	1	RADIATOR-OIL COOLER, LP/GAS/DSL
2	690150	1	ASSY, FAN SHROUD, DSL/LP/GAS
3	690169	1	MOUNT, COOLANT OVERFLOW - 9X/10X LP/GAS
4	713001	3	SCR-HH 1/4-20 X .62 GR 5 ZP
5	713002	3	SCR-HH 1/4-20 X .75 ZP 5
6	713527	1	CLAMP - WIRE & TUBE .500 DIA STEEL
7	3316981	2	NUT-PUSH RETAINER 3/8 BOLT, 25/32 OD ZP
8	3336629	1	PLATE- RADIATOR MNT, LH
9	3400383	5	WASHER-CONICAL SPRING 1/4
11	711254-1	2	BLT-CARR 3/8-16 X 2.50 ZP GR 5

ENGINE KUBOTA WG1605 GAS & LPG - EXHAUST DETAIL



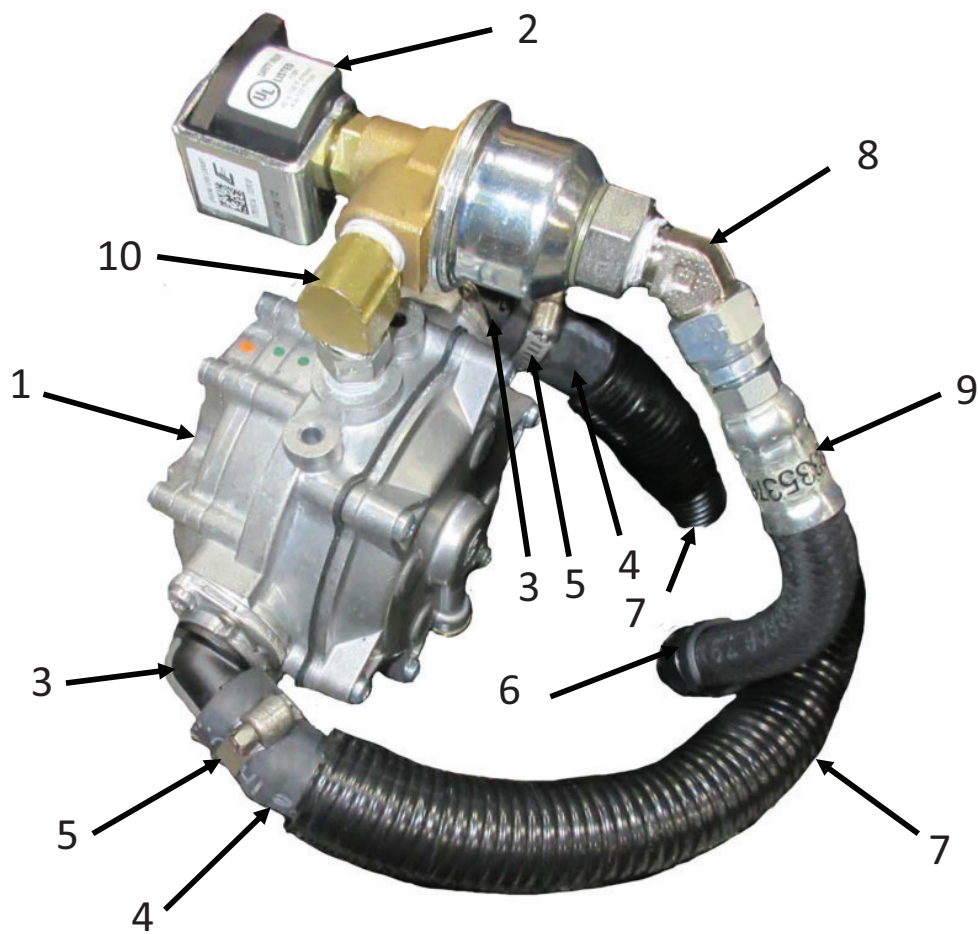
ENGINE KUBOTA WG1605 GAS & LPG - EXHAUST DETAIL			
ITEM	PART NO.	REQ'D	DESCRIPTION
1	600919	4	SCR-HH M8-1.25 X 40 ZP CLASS 8.8
2	600934	4	NUT-FLANGE WIZZ M8-1.25 ZP
3	600947	2	WASHER-WAVE .313 ID x .69 OD x .031 THIC
4	600950	2	WASHER-FLAT M12 ZP
5	600959	4	WASHER-LOCK M8 ZINC SPLIT
6	690189	1	PIPE, EXHAUST, PRE-CAT - 9XLP/GAS
7	690190	1	GASKET, CATALYST, 4 BOLT - 9X LP/GAS
8	690191	1	CATALYTIC CONVERTER, 9X LP-GAS
9	690192	1	PIPE, EXHAUST, POST CAT - 9X LP/GAS
10	690193	1	HEAT SHIELD, CAT. CONVERTER - 9XLP/GAS
11	717013	4	NUT-HEX M8 X 1.25 ZINC
12	730667	2	SCR-HH M12-1.75 X 45 ZP CLASS 8.8
13	748476	2	SENSOR, OXYGEN - 9X LP/GAS
14	3345028	1	GASKET-CAT 1605 INLET
15	3345082	1	GASKET, FLANGE, EX MANIFOLD, KUBOTA 1605
16	711544	6	WASHER-LOCK 1/4 SPLIT ZP
17	11038072	6	SCR-HH M6-1.0 X 16 ZP CLASS 8.8
18	11038247	4	SCR-HH M8-1.25 X 25 ZP CLASS 8.8
19	12310033	6	WASHER-FLAT M6.4 X 12 X 1.6 ZP
20	12310041	8	WASHER-FLAT M8.4 X 16 X 1.6 ZP

ENGINE KUBOTA WG1605 LPG - INLET MANIFOLD



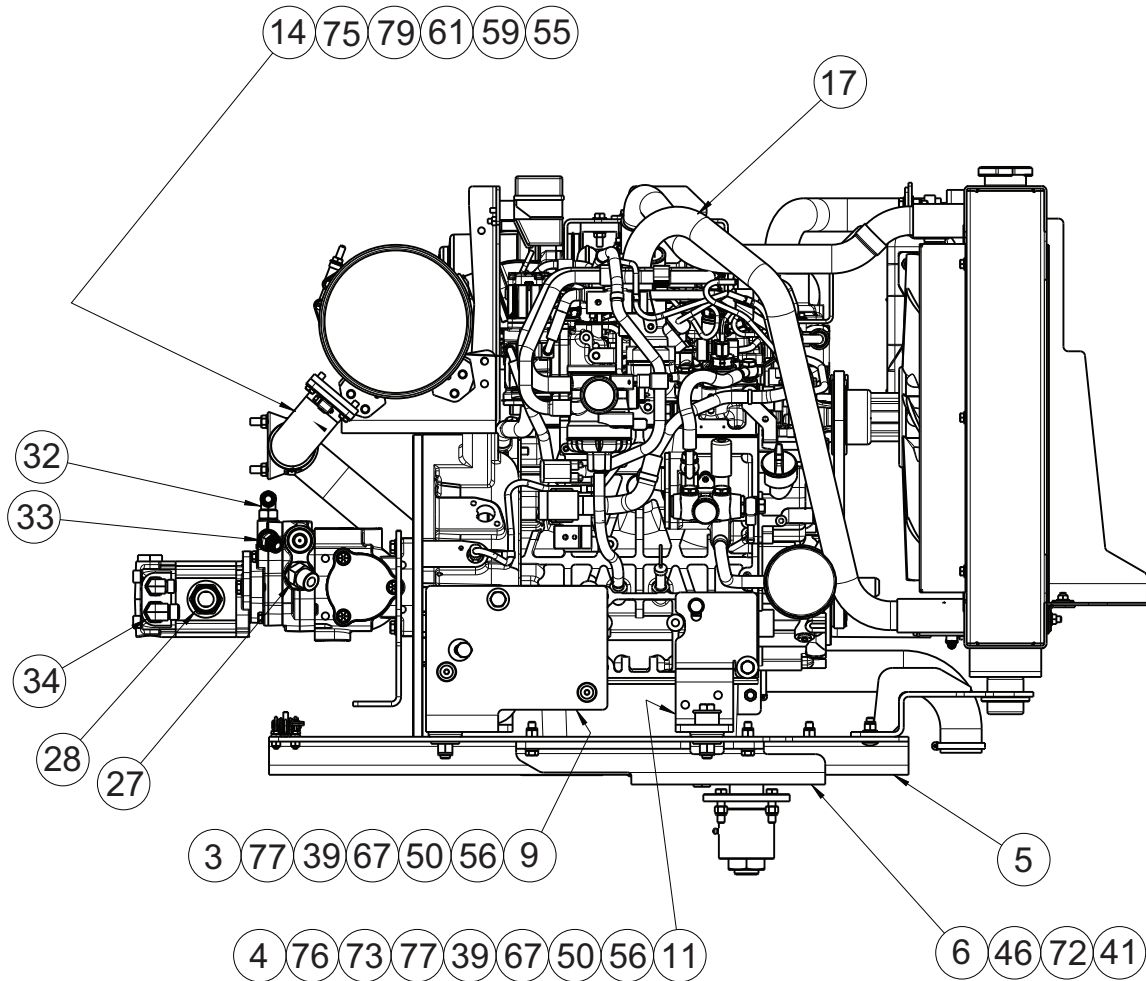
ENGINE KUBOTA WG1605 LPG - INLET MANIFOLD			
ITEM	PART NO.	REQ'D	DESCRIPTION
10	3344873	1	COMP. INLET MANIFOLD
30	3345281	1	BREATHER TUBE JOINT
40	3331604	1	CUP TYPE PLUG
50	3344874	1	TMAP SENSOR
55	3345282	1	O RING
60	3345283	2	FLANGE BOLT
70	3345284	1	BRACKET
80	3345285	2	FLANGE BOLT
90	3344875	1	COMP. THROTTLE BODY
100	3344876	1	THROTTLE GASKET
110	3345286	1	ADAPTER
120	3345287	1	O RING
130	3345288	1	SPACER
140	3345289	4	HEX-SOC-HD BOLT
150	3344877	1	ASSY - MIXER
155	3345290	1	MIXER SEALING RUBBER
160	3345291	2	PLUG
170	3345292	4	SOCKET HEAD BOLT
180	3344878	1	ASSY - (DEPR) REGULATOR
185	3345293	1	D-EPR, 1, SEALING RUBBER
186	3345294	1	D-EPR, 2, SEALING RUBBER
187	3345295	1	D-EPR, 3, SEALING RUBBER
190	3345296	4	SOCKET HEAD BOLT
200	3345297	1	INLET FLANGE
210	3345298	4	PAN HEAD SEMS SCREW
220	3344879	1	INLET GASKET
230	3345299	6	SEMS BOLT
240	3345300	2	STUD BOLT
250	3338381	2	FLANGE NUT
260	3345301	2	RUBBER
265	3345302	1	FUSE BOX PLATE
270	3338381	2	FLANGE NUT
280	3345303	4	HARNESS 1 BRACKET
290	3345194	4	FLANGE BOLT

VAPORIZER TO LPG TANK CONNECTIONS

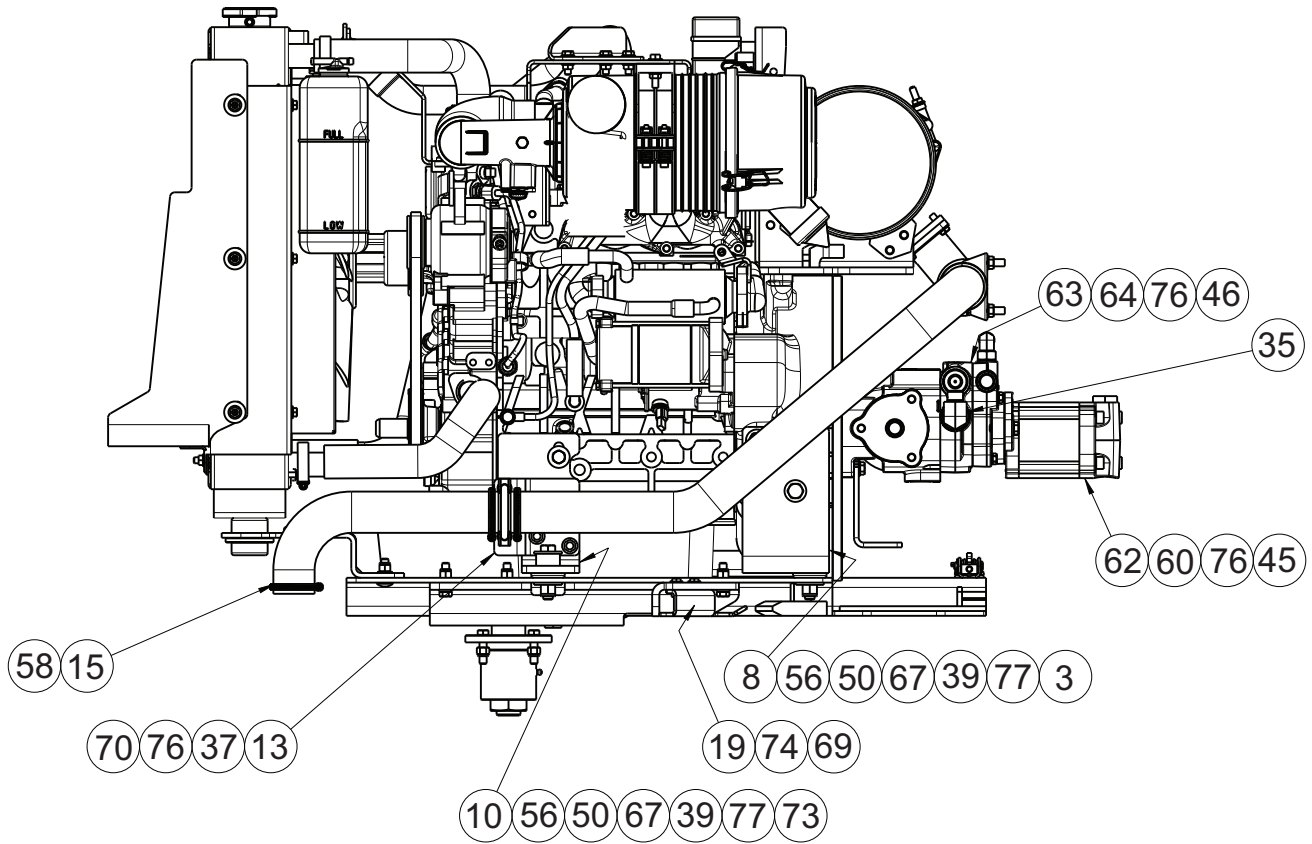


VAPORIZER TO LPG TANK CONNECTIONS			
ITEM	PART NO.	REQ'D	DESCRIPTION
1	3344890	1	REGULATOR ASSY, KUBOTA 1605(VAPORIZR)
2	3344892	1	VALVE LOCKOFF
3	603012	2	CONNECTOR, LP REGULATOR
4	620653	48 in	HOSE, COOLANT, 5/8 IN ID, RAW
5	690274	2	HOSE CLAMP (BK-5051212) NAPA
6	730690	1	4" HOSE PROTECTOR
7	210466	48 in	CONDUIT- SPLIT .875 ID
8	600908	1	FTG-ELBOW 45 FLARE 3/8 TUBE X 1/4 NPT BR
9	3335376	2	HOSE - 5/16 LP 90.0 SAE 45 ST#6 ST#6
10	620238	1	FTG-ELBOW 90 ST 1/4 FPT X 1/4 FPT BRASS
PARTS BELOW NOT SHOWN			
**	3316511	1	FITTING, BULKHEAD ASSEMBLY
**	3400862	1	VALVE-LP RELIEF
**	3307934	1	MNT-LPG SAFETY VALVE PNTD
**	3335376	1	HOSE - 5/16 LP 90.0 SAE 45 ST#6 ST#6 (TO LPG TANK)
**	3400860	1	FTG-LP TANK CONNECT (TO LPG TANK)

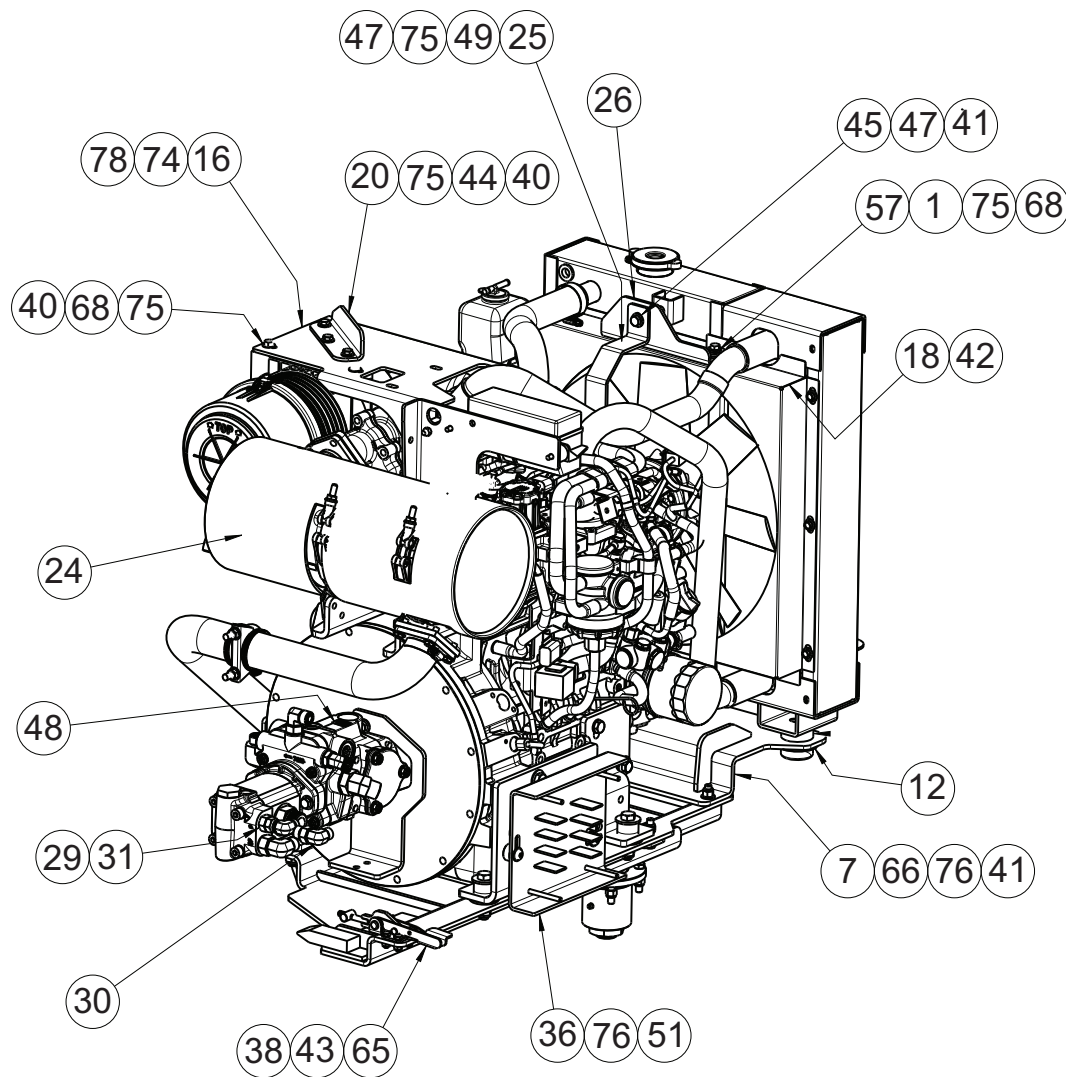
**D1803 KUBOTA ENGINE PARTS BREAKDOWN (US MODEL)
D1803 ENGINE ASSEMBLY**

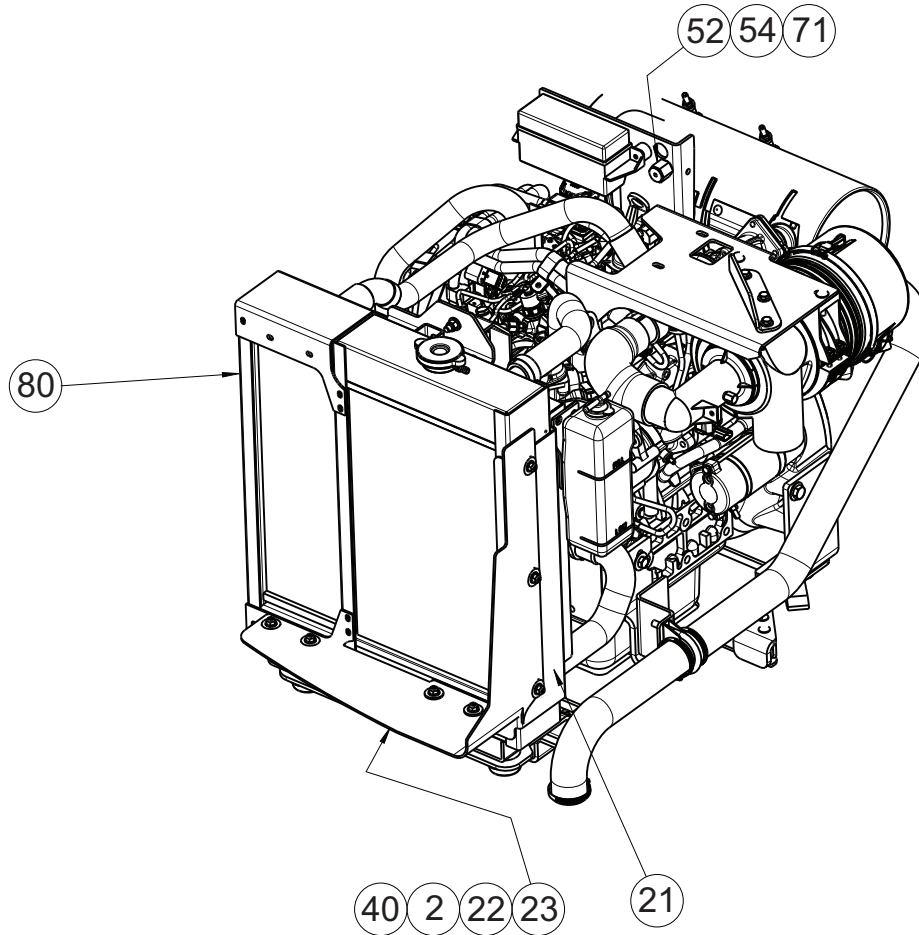


OUTSIDE VIEW
HOSE RACK NOT SHOWN
FOR CLARITY



INSIDE VIEW

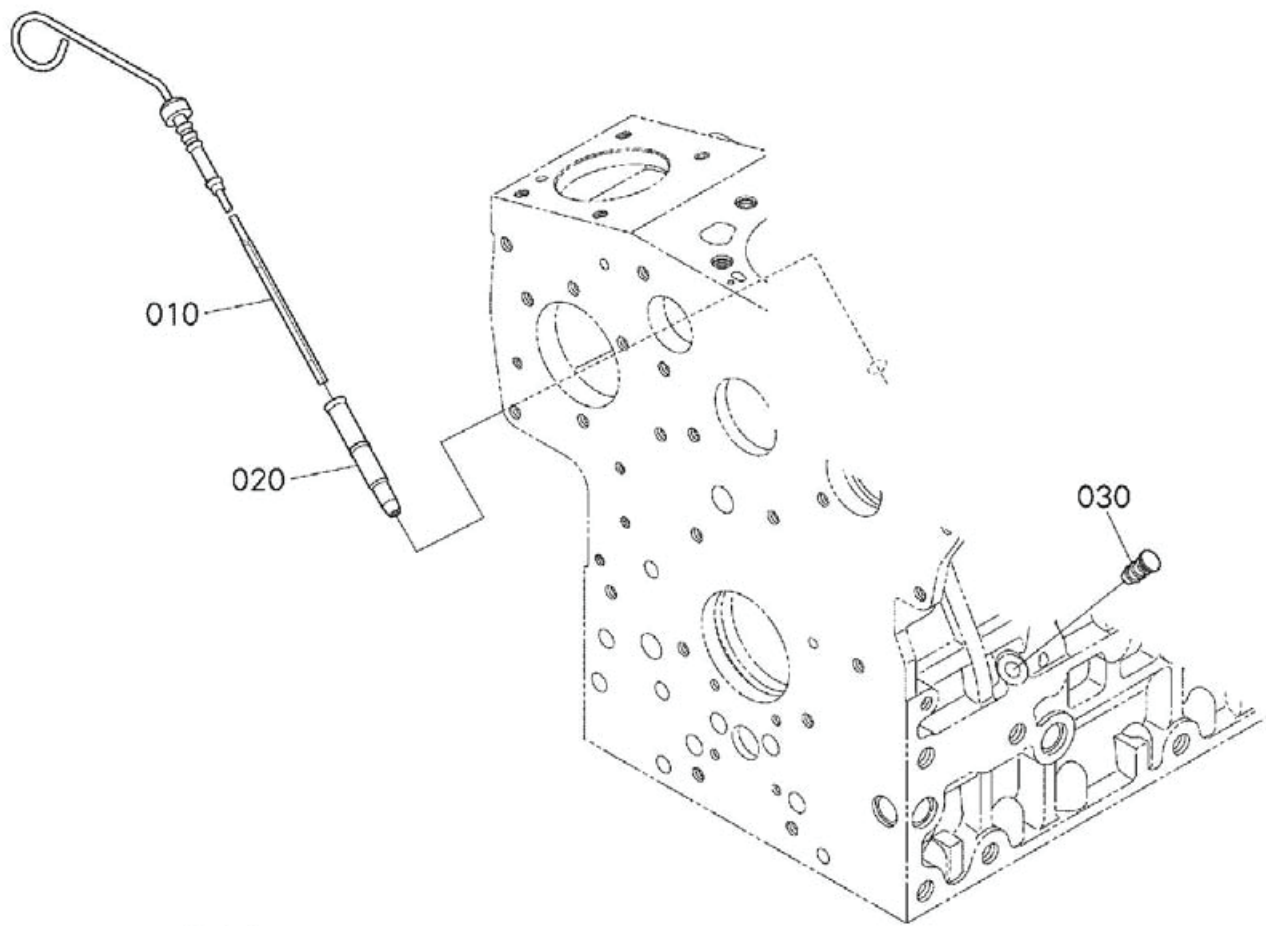




D1803 ENGINE ASSEMBLY BOM			
ITEM	PART NO.	REQ'D	DESCRIPTION
1	600363	2	WASHER-FLAT .39 X 1.12 X .1 ZP
2	600940	7	WASHER-FENDER M8 X 24 ZP
3	600956	4	SCR-HH M12-1.75 X 25 ZP CLASS 8.8
4	620082	1	SCR-HH M10-1.25 X 25 ZP CLASS 8.8
5	650034	1	ENGINE PAN, 10X, D1803 KUBOTA
6	650038	1	ASSY-ENGINE PIVOT, 10X, D1803 KUBOTA
7	650039	1	WELDMENT, BTM RAD SUPPORT, D1803 KUBOTA
8	650041	1	MOUNT, INNER REAR 10X KUBOTA D1803
9	650042	1	MOUNT, OUTER REAR 10X KUBOTA D1803
10	650043	1	MOUNT, INNER FRONT 10X KUBOTA D1803
11	650044	1	MOUNT, OUTER FRONT 10X KUBOTA D1803
12	650049	2	SPACER, RADIATOR
13	650250	1	BRACE, EXHAUST HANGER
14	650064FL	1	WELDMENT, DOC, EXHAUST
15	650067	1	FORMED TUBE, EXHAUST
16	650073	1	BRKT, AIR CLEANER
17	650101	1	ENGINE,DSL 10X US VERSION (D1803)
18	650112	1	SHROUD-RAD 10X KBA D1803
19	650123	1	WELD - ENG. SWING LATCH STRIKE
20	650132	1	STIFFENER, AIR CLEANER SUPPORT
21	650257	1	ASSY, AIR DIVERTER SUPPORT
22	650138	2	ASSY, 'L' BRACKET
23	650140	1	DIVIDER, AIR FLOW
24	650159	1	BLANKET, KUBOTA D1808, DOC
25	650196	1	BRKT, UPPER RAD BRACE KBA D1803
26	650197	1	BRKT, UPPER ISOLATOR KBA D1803
27	675501	1	FTG-ORFS 45 ELBOW -10 -12 SAE
28	675505	1	FTG-ORFS STR THD -16 -16 SAE
29	675514	1	FTG-ORFS 90 ELBOW SWIVEL NUT -6 -6 SAE
30	675520	1	FTG-ORFS 90 ELBOW -6 -8 SAE
31	675521	1	FTG-ORFS STR THD -6 -8 SAE
32	675523	1	FTG-ORFS 90 ELBOW -8 -8 SAE
33	675527	1	FTG-ORFS 45 ELBOW -8 -8 SAE
34	675528	1	FTG-ORFS 90 ELBOW -8 -10 SAE
35	675537	1	FTG-ORFS 90 ELBOW -8 -12 SAE
36	690500	1	WELDMENT, HOSE RACK
37	711250	2	SCR-HH 3/8-16 X 1.25 ZP GR 5
38	711373	4	NUT-NYLOC 1/4-20 ZP
39	711376	4	NUT-NYLOC 1/2-13 ZP
40	711379	14	NUT-FLANGED WIZZ 5/16-18 ZP

D1803 ENGINE ASSEMBLY BOM			
ITEM	PART NO.	REQ'D	DESCRIPTION
41	711380	7	NUT-NYLOC 3/8-16 ZP
42	712042	6	SCR-HH 5/16-18 X.62 ZP GR 5 FLANGE
43	713002	4	SCR-HH 1/4-20 X .75 ZP 5
44	713027	3	SCR-HH 5/16-18 X 1 ZP GR 5
45	713043	3	SCR-HH 3/8-16 X 1.25 PLAIN GR 5
46	713044	6	SCR-HH 3/8-16 X 1.50 ZP GR 5
47	713616	4	WASHER-FLAT 3/8 EG, HARDENED
48	715808	1	DECAL, BYPASS VALVE, ENGINE
49	717024	2	SCR-HH M8-1.25 X 20 ZP GRADE 8.8
50	730528	8	WASHER-FENDER M12 X 37 SS
51	730717	2	SCR-BHSCS 3/8-16 X 1.00 SS
52	740132	1	INSULATOR (ELECTRICAL)- 1/4-20 INSERT
53	749055	1	HARNESS, MAIN 10X DOMESTIC
54	833638	1	BRASS STUD- 1/4-20 X 1"
55	3044112	5	CLAMP - SCREW 1.5" to 2.5" DIA 201SS
56	3300464	4	ISOLATOR-RUBBER, 1.24 DIAx1.25 LG
57	3300465	2	ISOLATOR-RUBBER (.375ID X .81OD)
58	3302917	2	CLAMP-EXHAUST 2"
59	3303255	1	CLAMP - SCREW 1" to 2" DIA 301SS
60	3303711	1	ORING-STATIC SEAL 3.239 ID
61	3312281	25	EXHAUST WRAP, MANIFOLD TUBE
62	3321397	1	PUMP-AUX HYDRAULIC (9XR, 9XD, 10X, AM9D)
63	3335072	1	PUMP-PISTON, VARIABLE, 1.44 CIR, PROPEL
64	3335200	1	PLATE- FWD/REV SPRING MNT V1505
65	3337544	1	LATCH - ENGINE SWING
66	3400007	2	BLT-CARR 3/8-16 X 1.25 ZP
67	713005	4	SCR-HH 1/4-20 X 1.50 ZP GR 5 PART THRD
68	3400033	4	SCR-HH 5/16-18 X 1.50 ZP GR 5
69	3400040	2	SCR-HH 1/4-20 X 1.00 ZP GR 5
70	3400068	2	NUT-HEX 3/8-16 ZP GR 5
71	3400071	1	NUT-HEX 1/4-20 ZP GR 5
72	711546	4	WASHER-LOCK 3/8 SPLIT ZP
73	3400296	3	SCR-HH M12X1.25X30 FULL THREAD GR 8.8 ZP
74	3400383	9	WASHER-CONICAL SPRING 1/4
75	3400384	13	WASHER-CONICAL SPRING 5/16
76	3400385	11	WASHER-CONICAL SPRING 3/8
77	3400387	7	WASHER-CONICAL SPRING 1/2
78	11038098	7	SCR-HH M6-1.0 X 20 ZP CLASS 8.8 DIN
79	11038247	4	SCR-HH M8-1.25 X 25 ZP CLASS 8.8
80	650242	1	RADIATOR, 10X-US, DSL

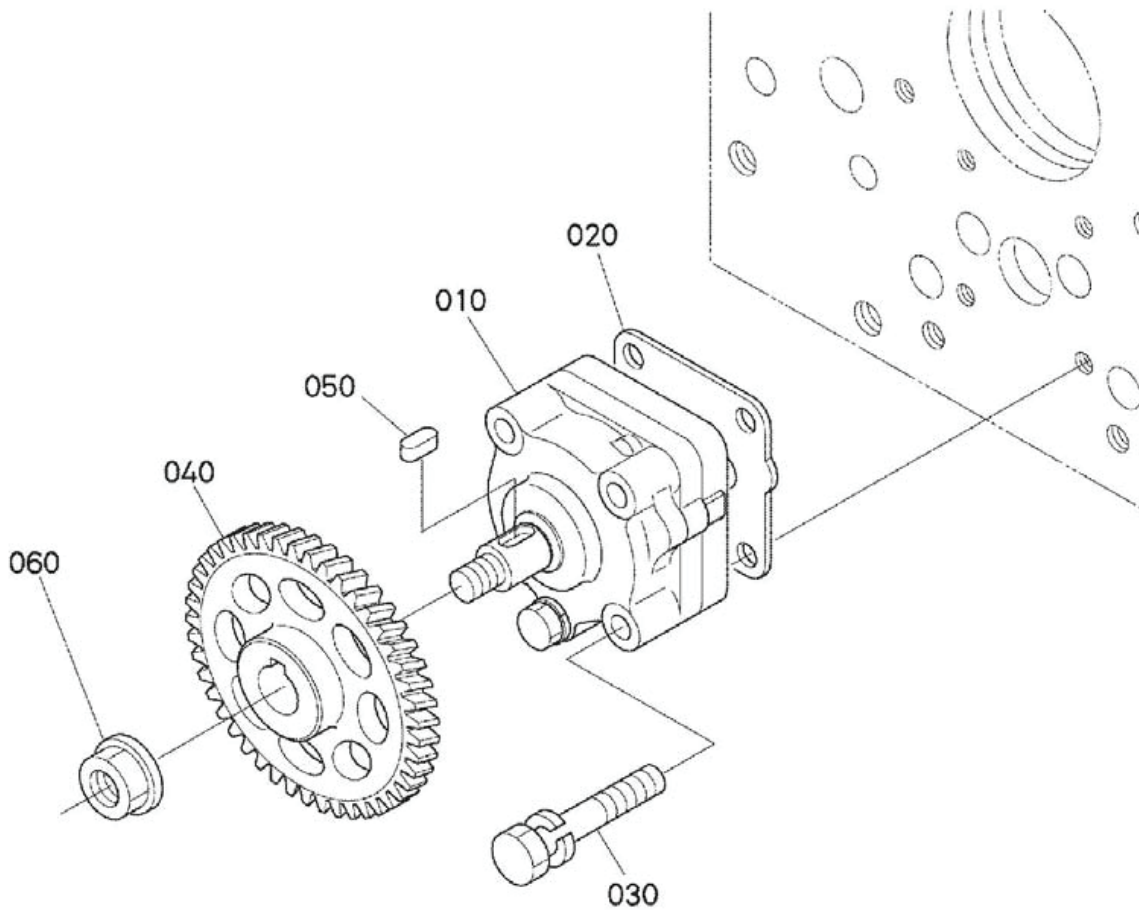
501200 DIPSTICK AND GUIDE (D1803 ENGINE)



1J802-003-11

501200 DIPSTICK AND GUIDE (D1803 ENGINE)			
ITEM	PART NO.	REQ'D	DESCRIPTION
10	940000	1	GAUGE,ENG. OIL
20	940001	1	GUIDE(GAUGE,OIL)
30	940002	1	PLUG,OIL GAUGE

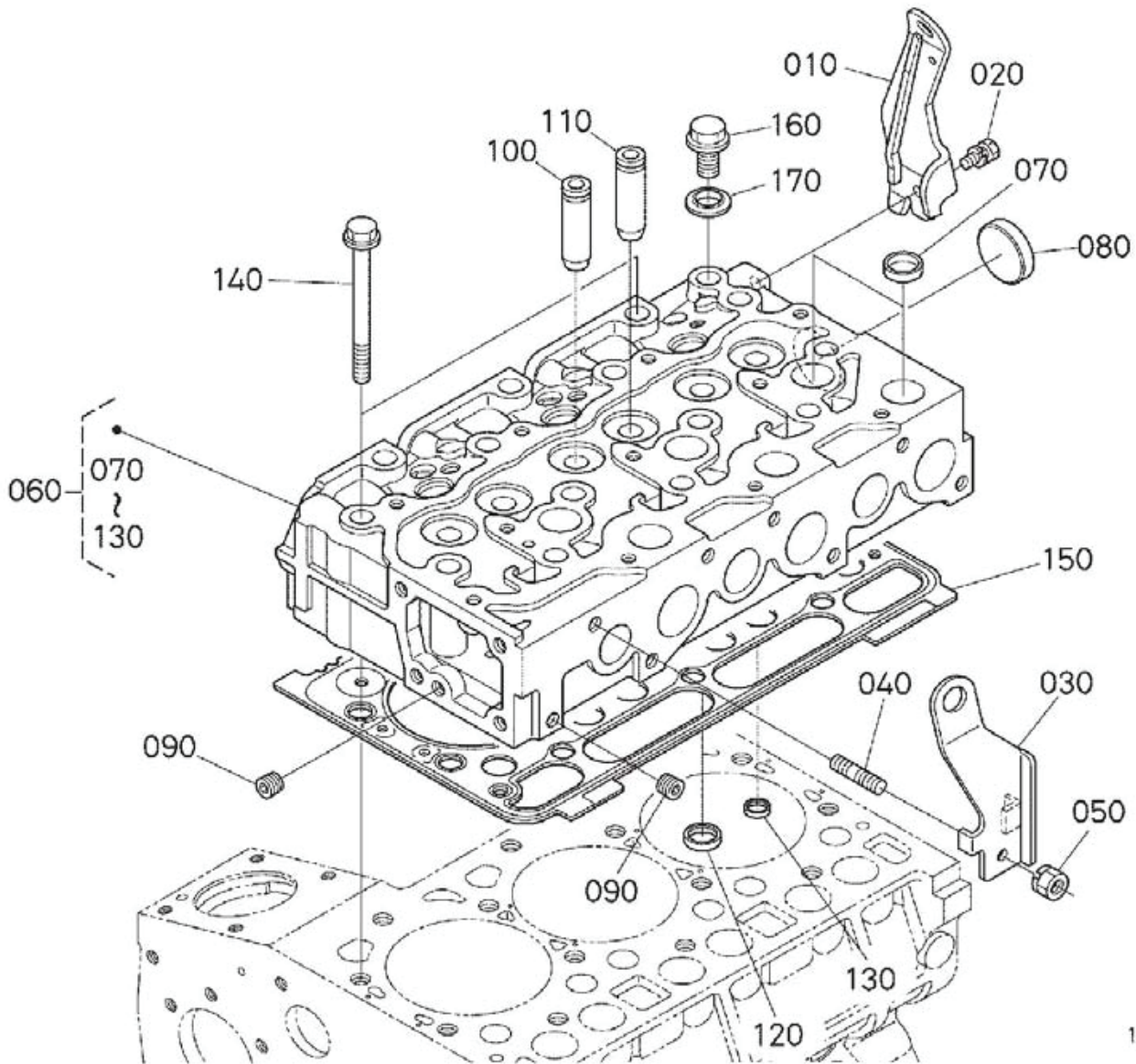
501500 OIL PUMP (D1803 ENGINE)



1A043-005-13

501500 OIL PUMP (D1803 ENGINE)			
ITEM	PART NO.	REQ'D	DESCRIPTION
10	940003	1	ASSY PUMP,OIL
20	940004	1	GASKET,OIL PUMP
30	940005	4	BOLT,SEMS
40	940006	1	GEAR,OIL PUMP DRIVE
50	940007	1	KEY,FEATHER
60	940008	1	NUT

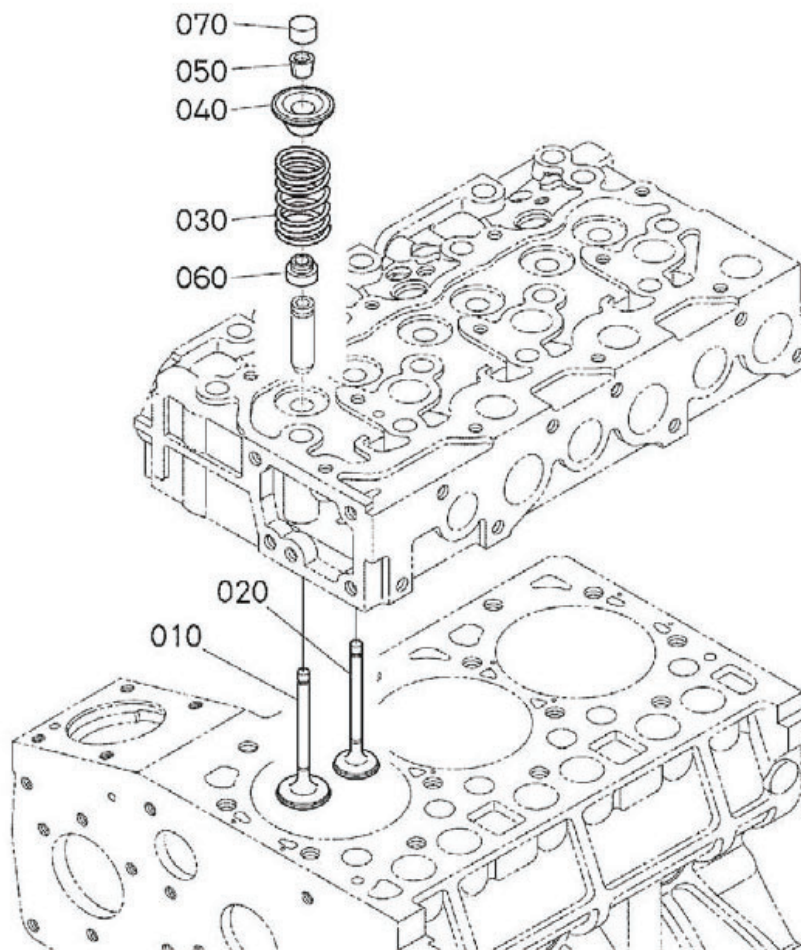
502000 CYLINDER HEAD (D1803 ENGINE)



1J805-003-12

502000 CYLINDER HEAD (D1803 ENGINE)			
ITEM	PART NO.	REQ'D	DESCRIPTION
10	940009	1	HOOK(ENGINE,REAR)
20	940010	1	BOLT,SEMS
30	940011	1	HOOK(ENGINE,FRONT)
40	940012	1	BOLT,STUD
50	940013	1	NUT WITH LOCK WASHER
60	940014	1	HEAD,CYLINDER,COMP
70	940015	9	PLUG,CUP TYPE
80	940016	1	CAP,SEALING
90	3331605	2	PLUG
100	940017	3	GUIDE,VALVE,INLET
110	3338332	3	GUIDE,EXHAUST VALVE
120	940018	3	SEAT,INLET VALVE
130	940019	3	SEAT,EXHAUST VALVE
140	940020	14	BOLT,HEAD(CYLINDER)
150	940021	1	GASKET,CYL.HEAD (1.15mm)
150	940022	1	GASKET,CYL.HEAD (1.20mm)
150	940023	1	GASKET,CYL.HEAD (1.25mm)
150	940024	1	GASKET,CYL.HEAD (1.30mm)
150	940025	1	GASKET,CYL.HEAD (1.35mm)
160	940026	1	PLUG
170	940027	1	WASHER,SEAL

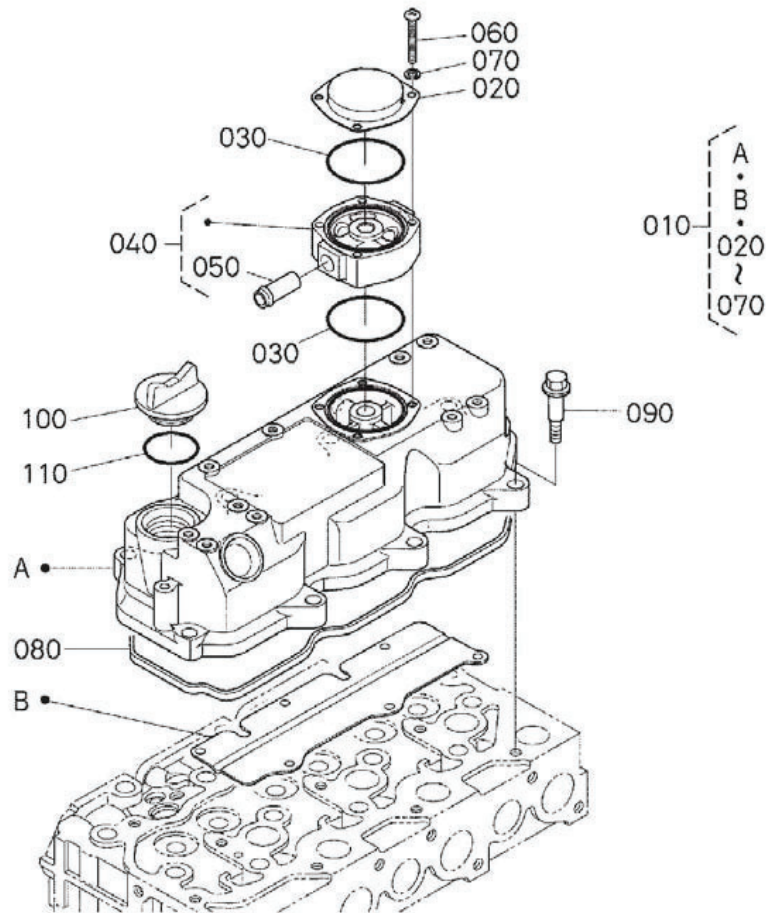
503000 INLET VALVE AND EXHAUST VALVE (D1803 ENGINE)



1J813-009-12

503000 INLET VALVE AND EXHAUST VALVE (D1803 ENGINE)			
ITEM	PART NO.	REQ'D	DESCRIPTION
10	940028	3	VALVE,INLET
10	940029	3	VALVE,INLET
20	940030	3	VALVE,EXHAUST
20	940031	3	VALVE,EXHAUST
30	940032	6	SPRING,VALVE
40	940033	6	RETAINER,VALVE SP.
50	940034	6	COLLET,VALVE SPRING
60	940035	6	SEAL(VALVE STEM)
70	940036	6	CAP(VALVE)

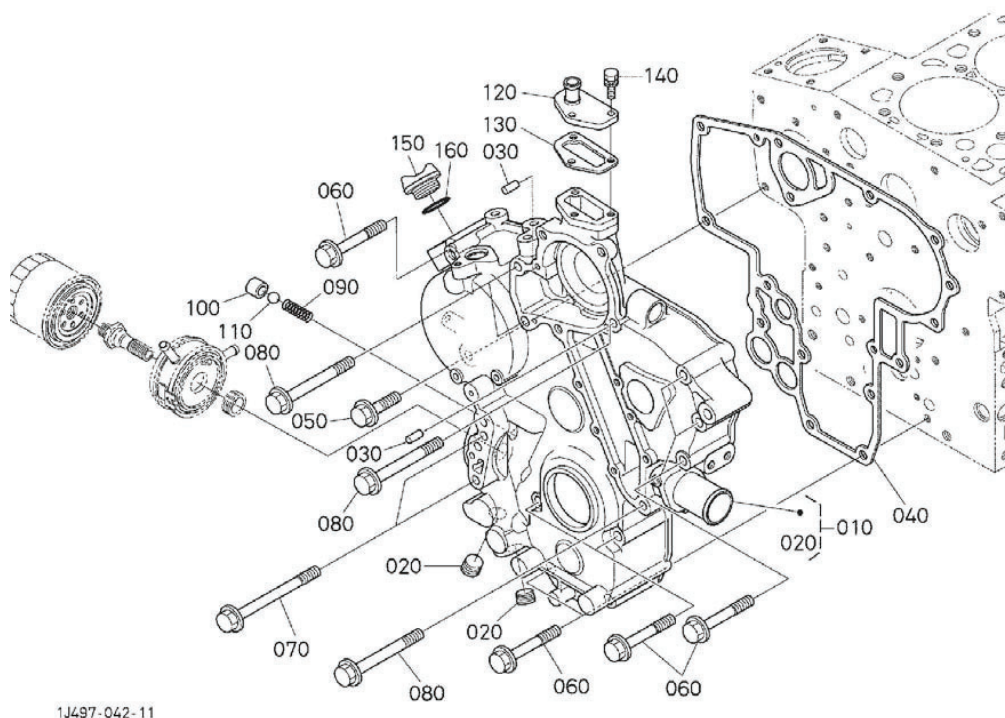
505000 HEAD COVER (D1803 ENGINE)



1J454-058-11

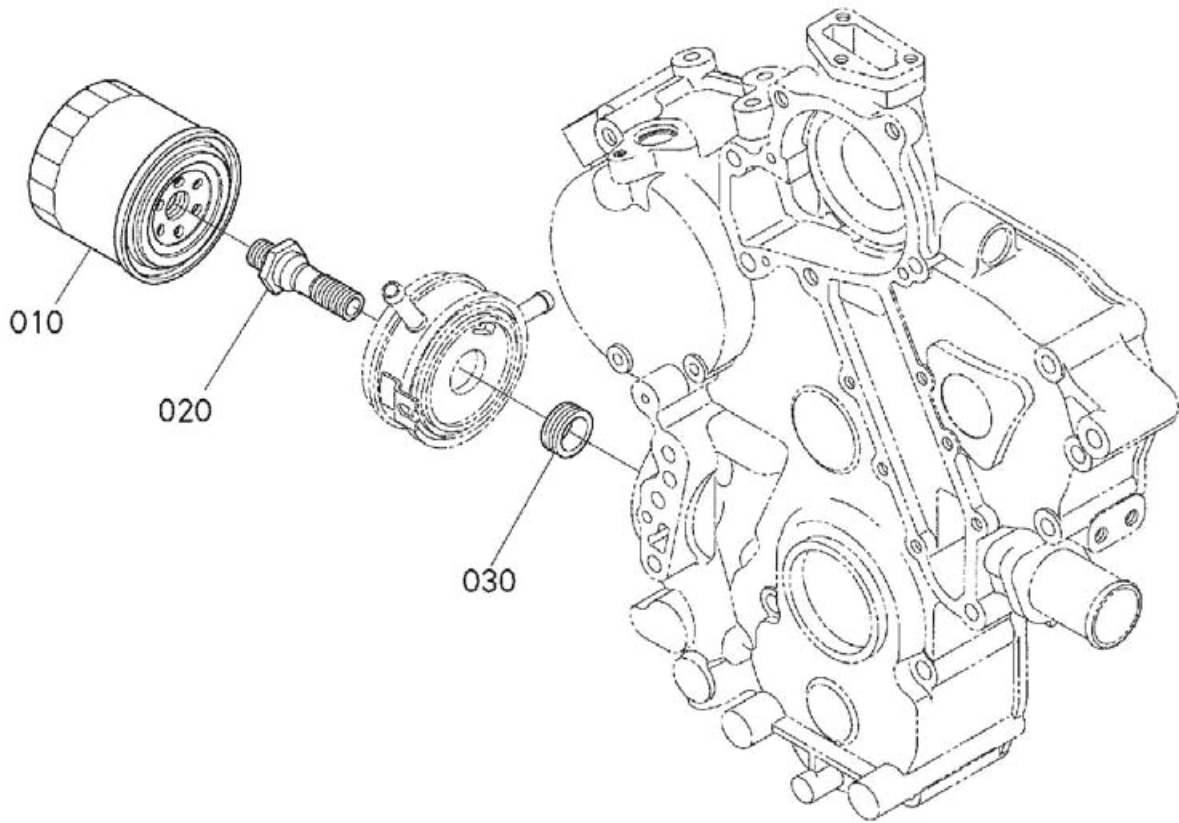
505000 HEAD COVER (D1803 ENGINE)			
ITEM	PART NO.	REQ'D	DESCRIPTION
10	940037	1	COVER,HEAD,ASSY
20	940038	1	COVER,BREATHER
30	940039	2	O-RING
40	940040	1	SPACER,COMP (BREATHER)
50	940041	1	PIPE,WATER RETURN
60	940042	4	SCREW,PAN HEAD (PHILLIPS)
70	940043	4	WASHER,SPRING LOCK
80	940044	1	GASKET (COVER,HEAD)
90	940045	8	BOLT
100	940046	1	PLUG,OIL FILLER
110	3338345	1	O RING

508000 GEAR CASE (D1803 ENGINE)



508000 GEAR CASE (D1803 ENGINE)			
ITEM	PART NO.	REQ'D	DESCRIPTION
10	940047	1	CASE,GEAR,COMP
20	940048	2	PLUG
30	940049	2	PIN, STRAIGHT
40	940050	1	GASKET(GEAR CASE)
50	940051	1	BOLT,FLANGE
60	940052	8	BOLT,SEMS
70	940053	2	BOLT,SEMS
80	940054	4	BOLT,FLANGE
90	940055	1	SPRING
100	940056	1	SEAT,VALVE
110	940057	1	BALL
120	940058	1	FLANGE,WATER RETURN
130	940059	1	GASKET(RETURN FLANGE)
140	940060	3	BOLT,SEMS
150	940046	1	PLUG,OIL FILLER
160	3338345	1	O RING

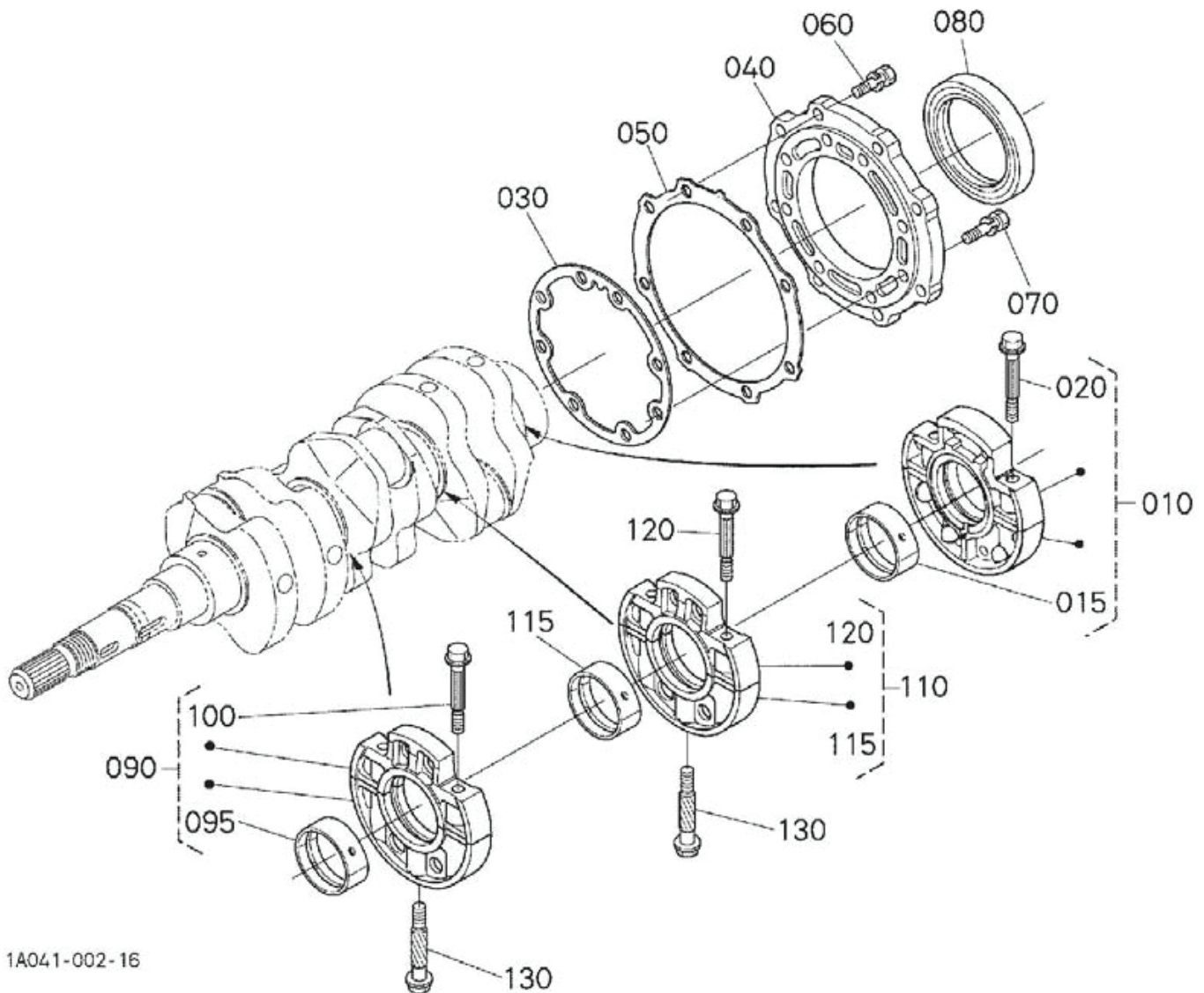
508200 OIL FILTER (D1803 ENGINE)



1J802-007-15

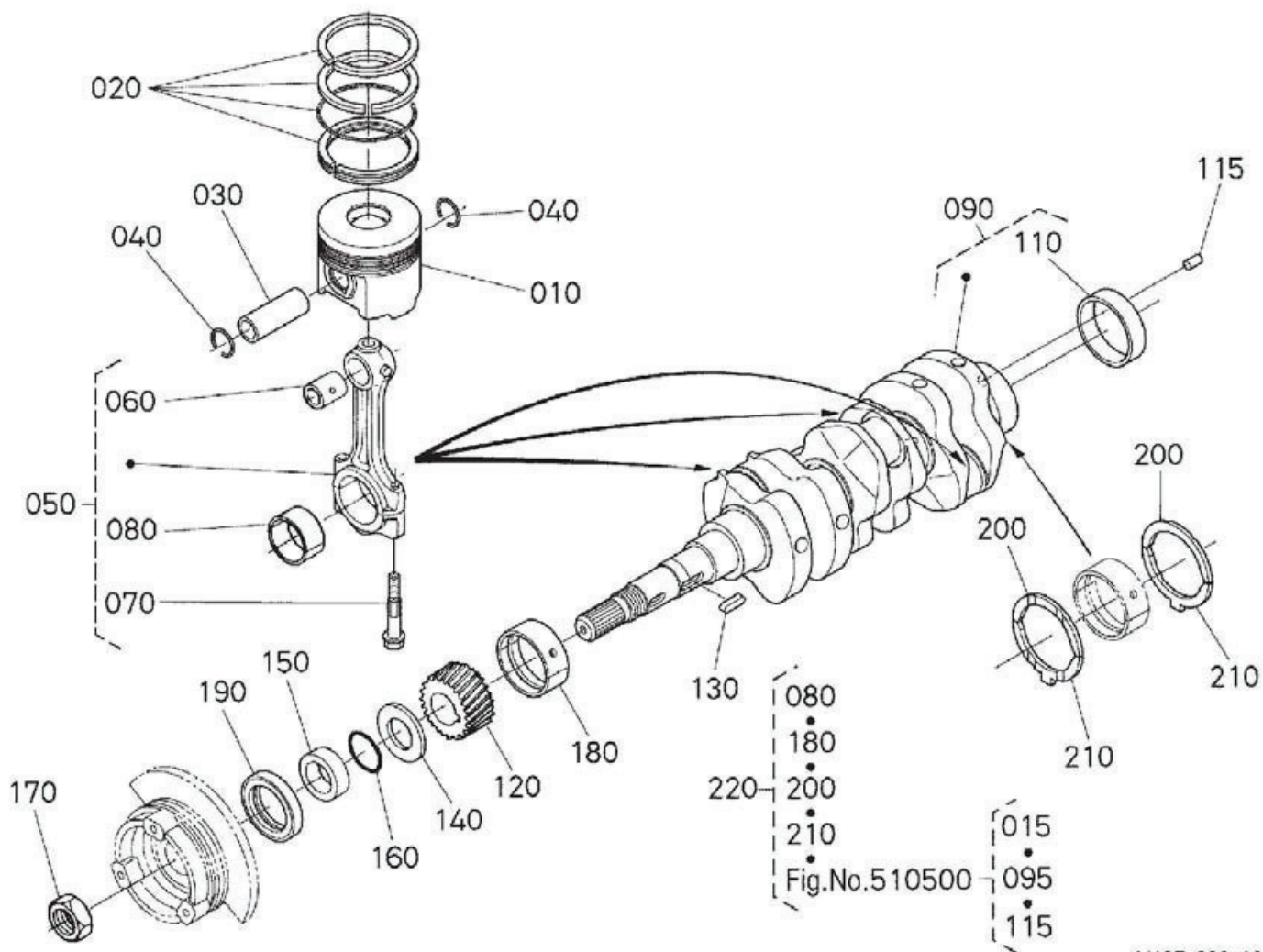
508200 OIL FILTER (D1803 ENGINE)			
ITEM	PART NO.	REQ'D	DESCRIPTION
10	3331667	1	FILTER (CARTRIDGE,OIL)
20	940061	1	CONNECTOR
30	940062	1	COLLAR

510500 MAIN BEARING CASE (D1803 ENGINE)



510500 MAIN BEARING CASE (D1803 ENGINE)			
ITEM	PART NO.	REQ'D	DESCRIPTION
10	940063	1	ASSY BRG.CASE,WHEEL
15	940064	1	METAL,CRANKSHAFT (STD SET)
15	940065	1	METAL,CRANKSHAFT (-0.20mm SET)
15	940066	1	METAL,CRANKSHAFT (-0.40mm SET)
20	940067	2	BOLT,BEARING CASE
30	940068	1	GASKET,BEARING CASE
40	940069	1	COVER,BEARING CASE
50	3338357	1	GASKET,CASE COVER
60	940070	8	BOLT,SEMS
70	940071	8	BOLT,SEMS
80	940072	1	SEAL,OIL
90	940073	1	ASSY BRG.CASE,MAIN
95	940064	1	METAL,CRANKSHAFT (STD SET)
95	940065	1	METAL,CRANKSHAFT (-0.20mm SET)
95	940066	1	METAL,CRANKSHAFT (-0.40mm SET)
100	940067	2	BOLT,BEARING CASE
110	940074	1	ASSY BRG.CASE,MAIN
115	940064	1	METAL,CRANKSHAFT (STD SET)
115	940065	1	METAL,CRANKSHAFT (-0.20mm SET)
115	940066	1	METAL,CRANKSHAFT (-0.40mm SET)
120	940067	2	BOLT,BEARING CASE
130	940075	2	BOLT,BEARING CASE

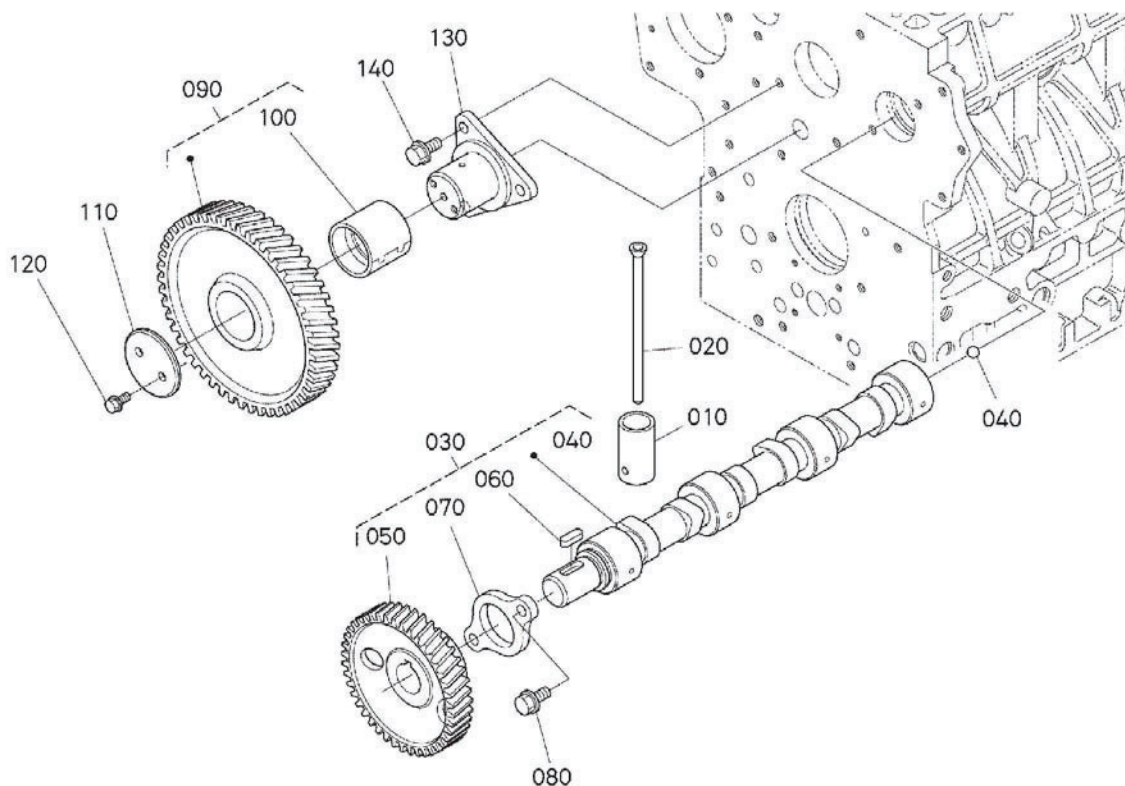
511000 PISTON AND CRANKSHAFT(D1803 ENGINE)



1J497-000-10

511000 PISTON AND CRANKSHAFT (D1803 ENGINE)			
ITEM	PART NO.	REQ'D	DESCRIPTION
10	940076	3	PISTON(05) STD
10	940077	3	PISTON(05) + 0.25mm
20	940078	3	RING,PISTON,ASSY STD
20	940079	3	ASSY PISTON RING + 0.25mm
30	940080	3	PISTON PIN
40	940081	6	CIR CLIP,INTERNAL
50	940082	3	ROD,CONNECTING,ASSY
60	940083	3	BUSH,PISTON PIN
70	940084	6	BOLT,CONNECTING ROD
80	3331688	3	METAL,CRANKPIN STD
80	940085	3	METAL(CRANKPIN,02) -0.20mm SET
80	940086	3	METAL(CRANKPIN,04) -040mm SET
90	940087	1	CRANKSHAFT,COMP
110	940088	1	BUSH,CRANKSHAFT
115	940089	1	PIN,STRAIGHT
120	940090	1	GEAR,CRANKSHAFT
130	940091	1	FEATHER KEY
140	940092	1	OIL SLINGER
150	940093	1	COLLAR,CRANKSHAFT
160	940094	1	O RING
170	940095	1	NUT,CRANKSHAFT
180	940096	1	METAL,CRANKSHAFT STD
180	940097	1	METAL,CRANKSHAFT -0.20mm
180	940098	1	METAL,CRANKSHAFT -0.40mm
190	940099	1	SEAL,OIL
200	940100	2	METAL,SIDE STD
200	940101	2	METAL,SIDE +0.20mm
200	940102	2	METAL,SIDE +0.40mm
210	940103	2	METAL,SIDE STD
210	940104	2	METAL,SIDE +0.20mm
210	940105	2	METAL,SIDE +0.40mm
220	940106	1	KIT METAL,ENGINE STD
220	940107	1	KIT METAL,ENGINE -0.20mm
220	940108	1	KIT METAL,ENGINE -0.40mm

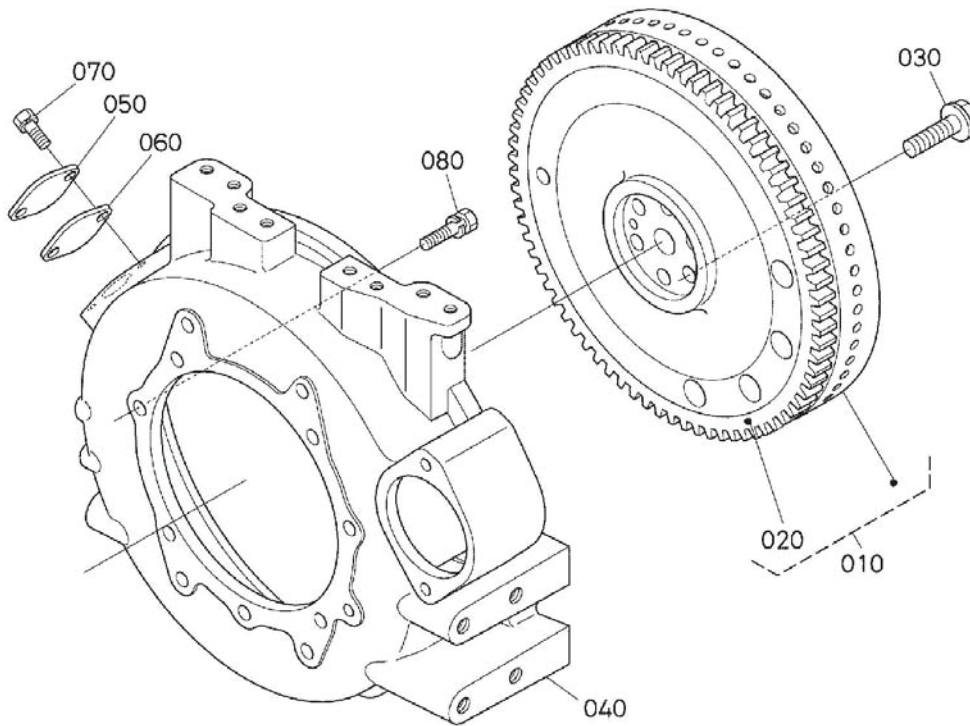
512000 CAMSHAFT AND IDLE GEAR SHAFT (D1803 ENGINE)



1J331-013-10

512000 CAMSHAFT AND IDLE GEAR SHAFT (D1803 ENGINE)			
ITEM	PART NO.	REQ'D	DESCRIPTION
10	940109	6	TAPPET
20	940110	6	ROD,PUSH
30	940111	1	ASSY CAMSHAFT
40	940112	1	BALL 1/4
50	940113	1	GEAR,CAMSHAFT
60	940114	1	KEY, FEATHER
70	940115	1	STOPPER(CAMSHAFT)
80	940116	2	BOLT,FLANGE
90	940117	1	GEAR,COMP(IDLE)
100	940118	1	BUSHING(IDLE GEAR)
110	940119	1	COLLAR,IDLE GEAR
120	690278	2	BOLT,FLANGE
130	940120	1	SHAFT,IDLE GEAR
140	940116	3	BOLT,FLANGE

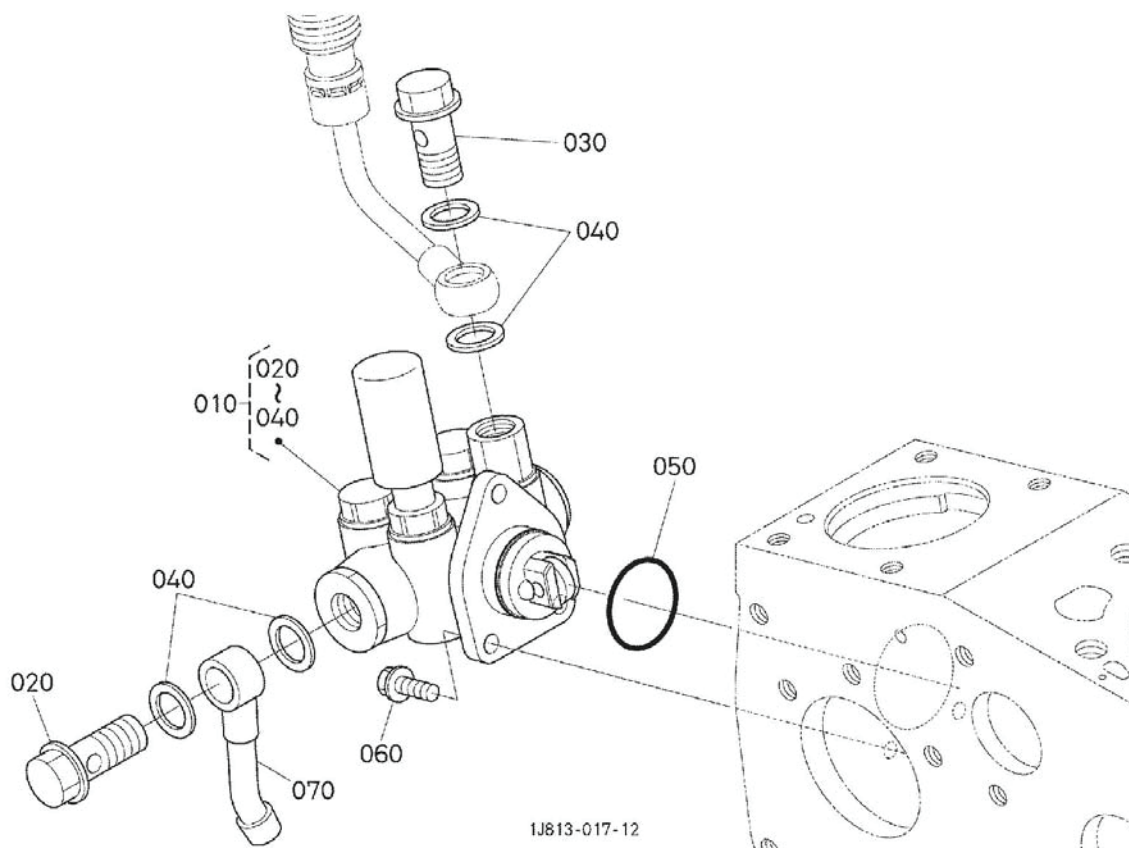
515000 FLYWHEEL (D1803 ENGINE)



1J453-067-12

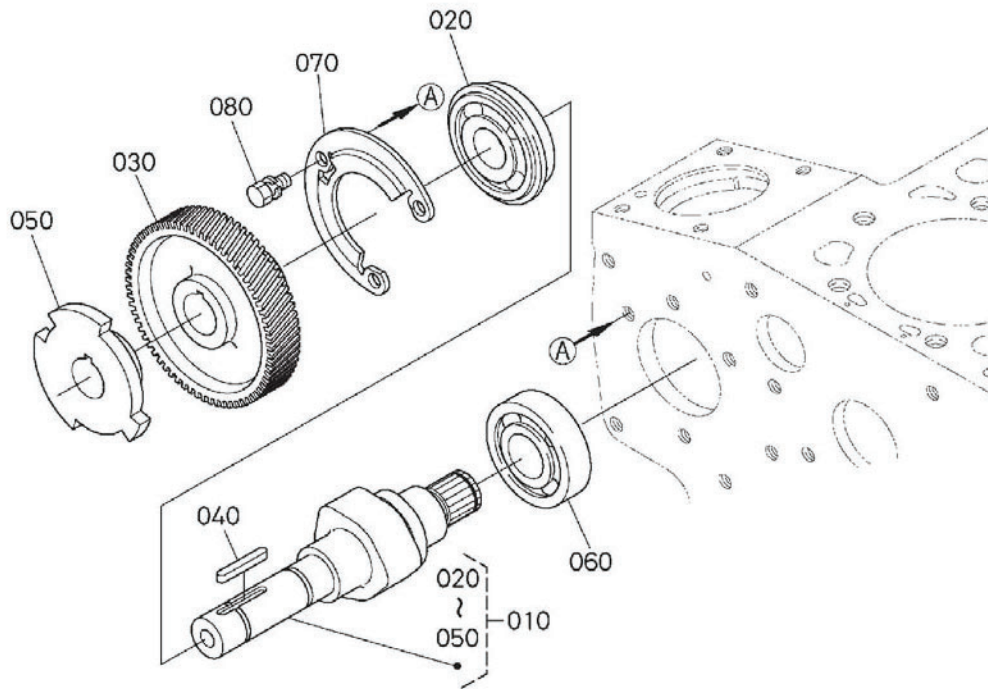
515000 FLYWHEEL (D1803 ENGINE)			
ITEM	PART NO.	REQ'D	DESCRIPTION
10	940121	1	FLYWHEEL,COMP
20	940122	1	GEAR,RING
30	940123	6	BOLT,FLYWHEEL
40	940124	1	HOUSING,FW
50	940125	1	COVER
60	940126	1	PACKING(COVER)
70	940010	2	BOLT,SEMS
80	940127	11	BOLT

521000 INJECTION PUMP (D1803 ENGINE)



521000 INJECTION PUMP (D1803 ENGINE)			
ITEM	PART NO.	REQ'D	DESCRIPTION
10	940128	1	PUMP,ASSY(FUEL)
20	940129	1	BOLT,JOINT
30	940130	1	BOLT,JOINT
40	940131	4	GASKET(PIPE,JOINT)
50	940132	1	O RING
60	940133	3	BOLT,FLANGE
70	940134	1	PIPE

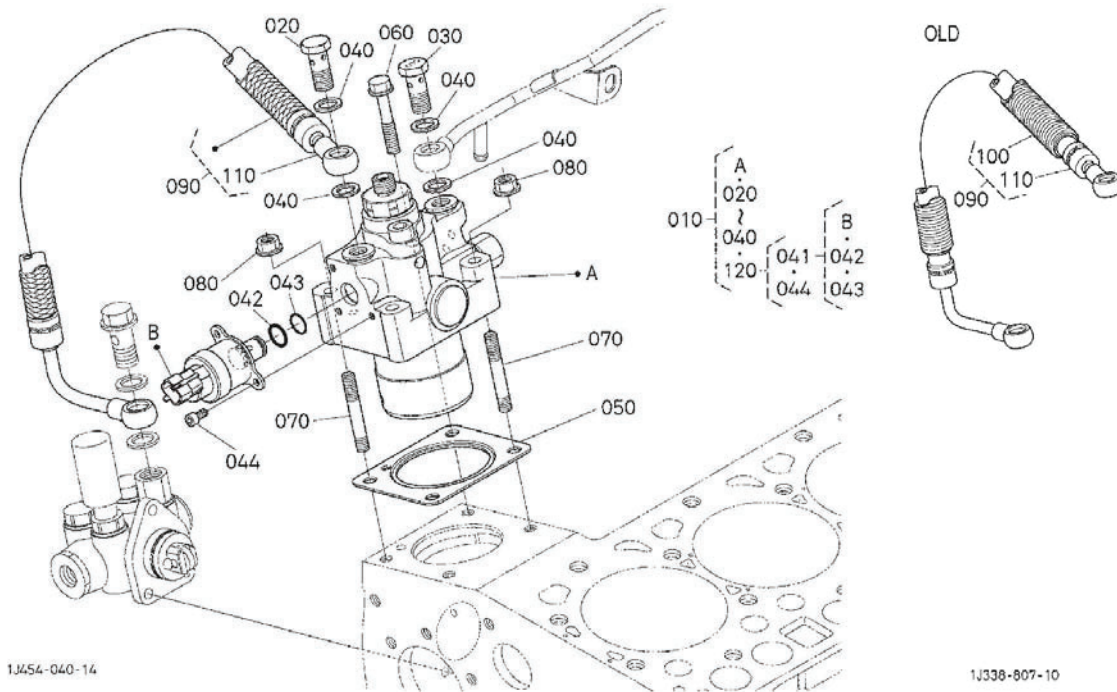
522000 FUEL CAMSHAFT (D1803 ENGINE)



1J805-006-10

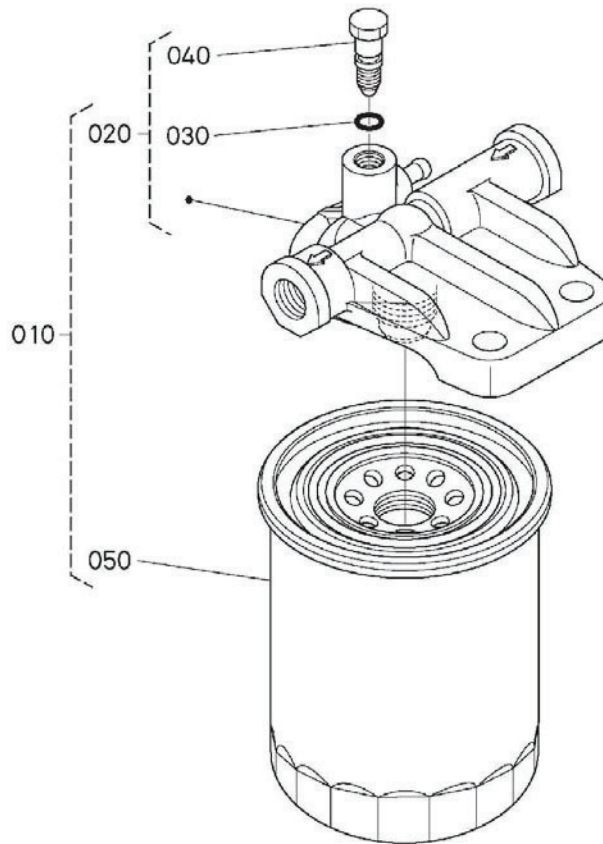
512000 CAMSHAFT AND IDLE GEAR SHAFT (D1803 ENGINE)			
ITEM	PART NO.	REQ'D	DESCRIPTION
10	940135	1	ASSY CAMSHAFT,FUEL
20	940136	1	BEARING,BALL
30	940137	1	GEAR
40	940138	1	FEATHER KEY
50	940140	1	WHEEL
60	940141	1	BEARING(BALL)
70	940142	1	STOPPER,FUEL C/SHAFT
80	940143	3	BOLT,SEMS

526500 SUPPLY PUMP (D1803 ENGINE)



526500 SUPPLY PUMP (D1803 ENGINE)			
ITEM	PART NO.	REQ'D	DESCRIPTION
10	940144	1	PUMP,ASSY(SUPPLY)
20	940145	1	BOLT,JOINT
30	940146	1	BOLT,JOINT
40	940147	4	GASKET
41	940148	1	VALVE,ASSY(SCV)
42	940149	1	O-RING(SCV,1)
43	940150	1	O-RING(SCV,2)
44	940151	3	BOLT(SCV)
50	940152	1	GASKET,PUMP
60	940153	2	BOLT,FLANGE
70	940154	2	STUD
80	940155	2	NUT,FLANGE
90	940157	1	HOSE,ASSY(FUEL)
110	940159	1	HOSE,COMP(FUEL)
120	940160	1	VALVE,KIT(SCV)

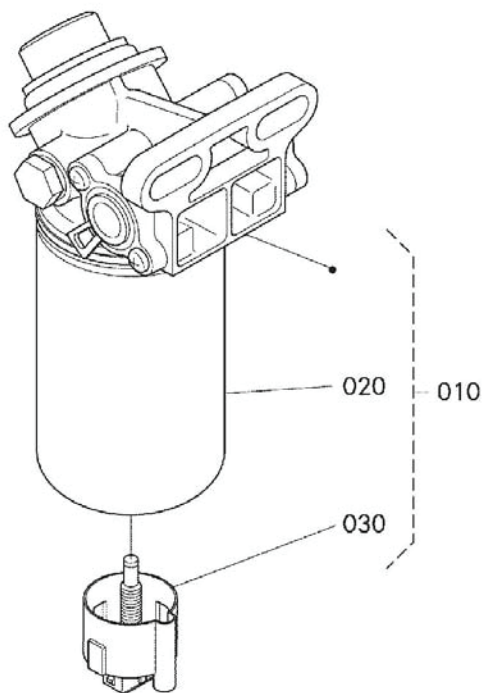
531000 FUEL FILTER (D1803 ENGINE)



1J802-021-10

531000 FUEL FILTER (D1803 ENGINE)			
ITEM	PART NO.	REQ'D	DESCRIPTION
10	940162	1	FILTER,ASSY(FUEL)
20	940163	1	BASE,FILTER
30	940164	1	O RING
40	940165	1	PLUG
50	940166	1	FILTER(FUEL CARTRIDGE)

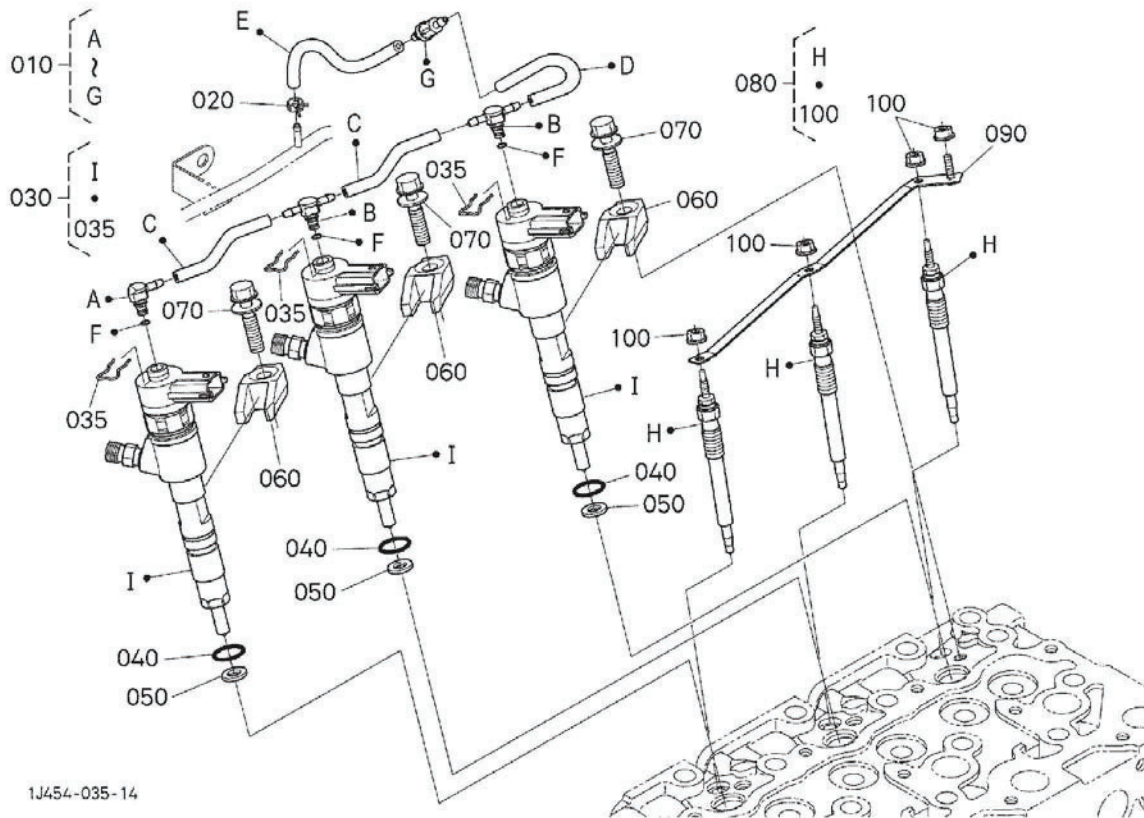
532500 SEPARATOR (D1803 ENGINE)



1J490-009-10

532500 SEPARATOR (D1803 ENGINE)			
ITEM	PART NO.	REQ'D	DESCRIPTION
10	940167	1	FILTER,ASSY (W,SEPARATOR)
20	940168	1	FILTER
30	940169	1	SWITCH,ASSY

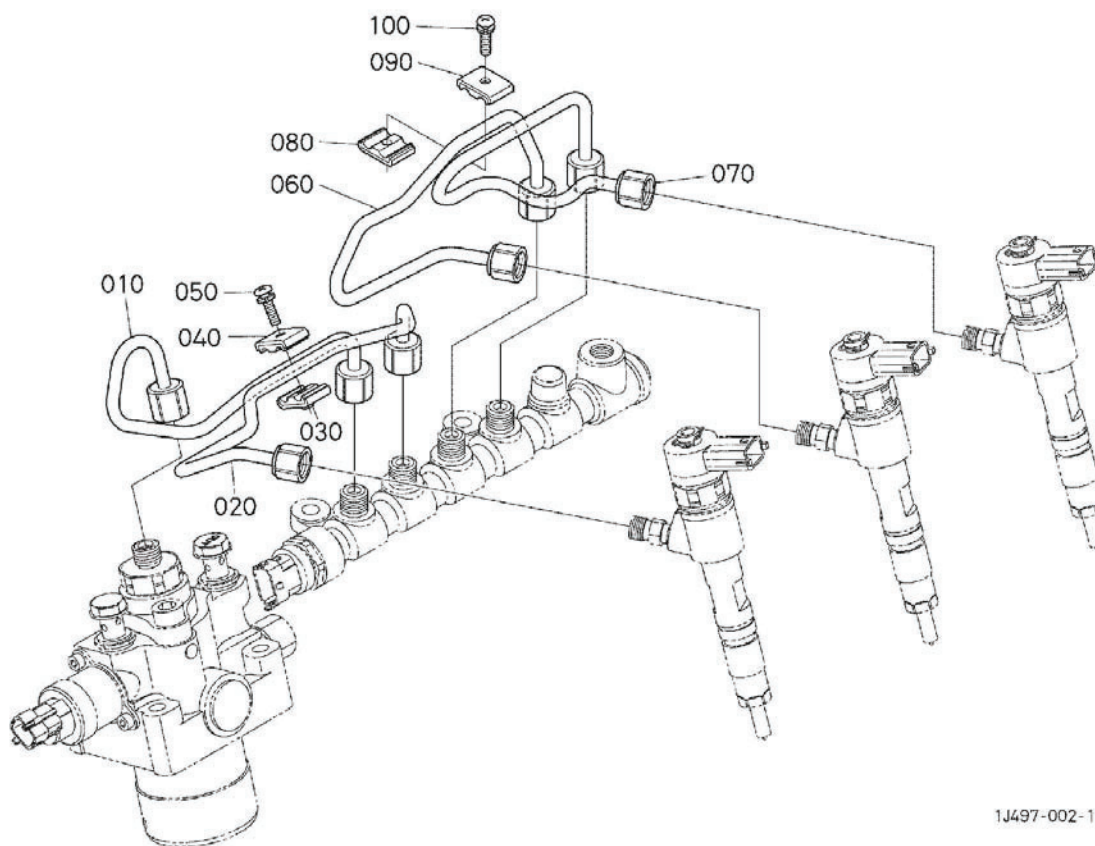
540200 INJECTOR AND GLOW PLUG (D1803 ENGINE)



1J454-035-14

540200 INJECTOR AND GLOW PLUG (D1803 ENGINE)			
ITEM	PART NO.	REQ'D	DESCRIPTION
10	940170	1	TUBE,ASSY(OVER FLOW)
20	940171	1	CLAMP,HOSE
30	940173	3	INJECTOR,ASSY
35	940174	3	CLAMP
40	940175	3	O RING
50	940176	3	PACKING
60	940177	3	CLAMP
70	940178	3	BOLT,ASSY
80	940179	3	GLOW PLUG
90	940180	1	CORD(GLOW PLUG)
100	940181	4	NUT,FLANGE

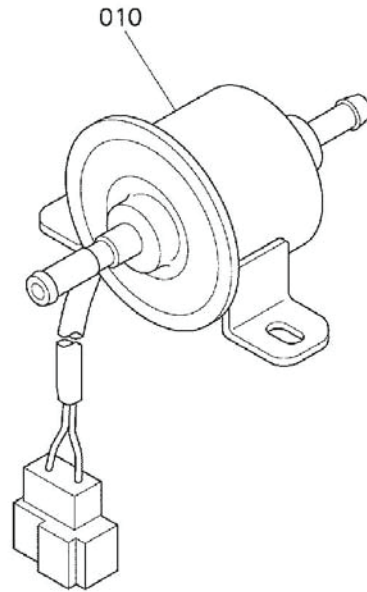
545000 INJECTION PIPE (D1803 ENGINE)



1J497-002-10

545000 INJECTION PIPE (D1803 ENGINE)			
ITEM	PART NO.	REQ'D	DESCRIPTION
10	940182	1	PIPE
20	940183	1	PIPE,INJECTION
30	940184	1	CLAMP,PIPE
40	940185	1	CLAMP,PIPE
50	940186	1	SCREW,SEMS(PAN HEAD)
60	940187	1	PIPE,INJECTION
70	940188	1	PIPE,INJECTION
80	940184	1	CLAMP,PIPE
90	940185	1	CLAMP,PIPE
100	940186	1	SCREW,SEMS(PAN HEAD)

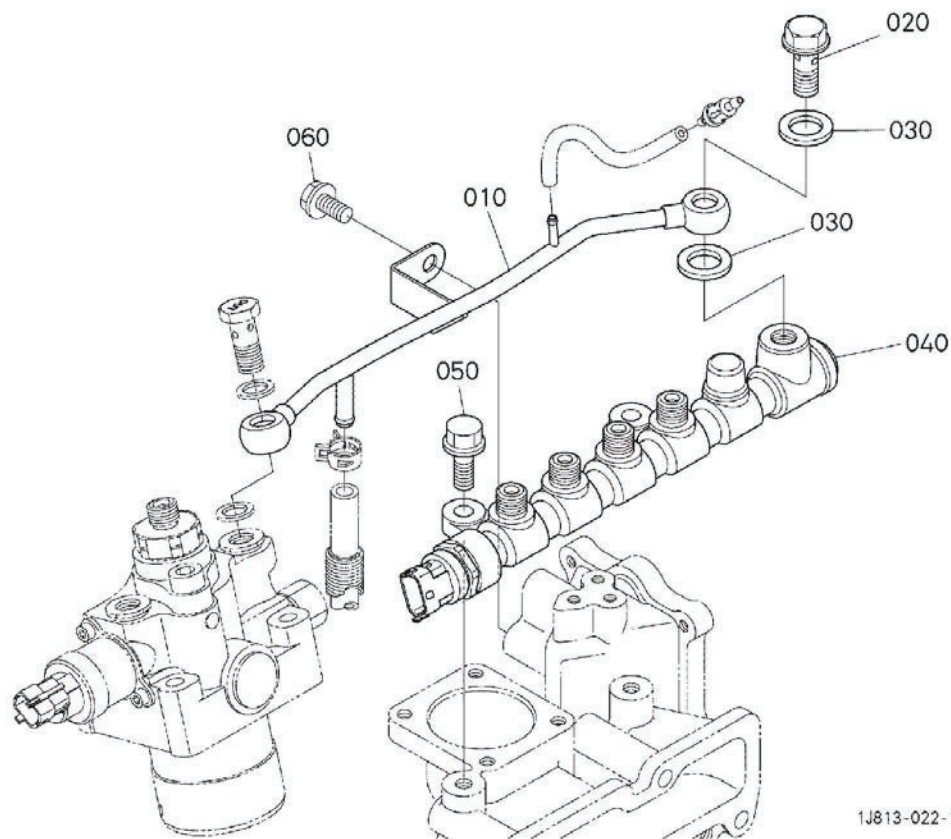
547100 FUEL PUMP (D1803 ENGINE)



17553-014-22

547100 FUEL PUMP (D1803 ENGINE)			
ITEM	PART NO.	REQ'D	DESCRIPTION
10	940189	1	ASSY PUMP,FUEL
10	940190	1	PUMP,FUEL

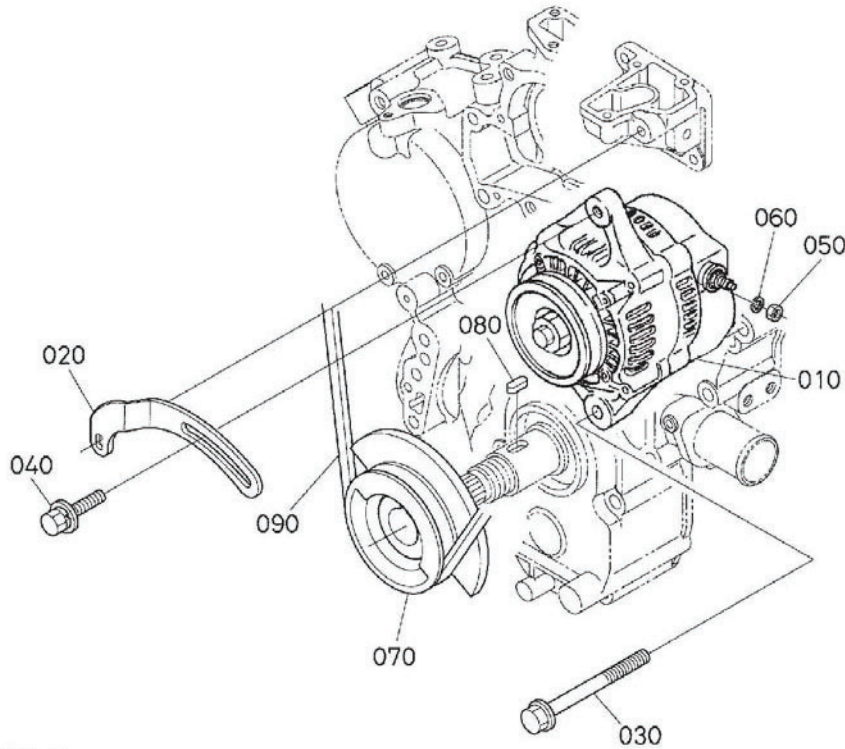
548000 COMMON RAIL (D1803 ENGINE)



1J813-022-11

548000 COMMON RAIL (D1803 ENGINE)			
ITEM	PART NO.	REQ'D	DESCRIPTION
10	940191	1	PIPE,COMP(WATER OVER FLOW)
20	940192	1	BOLT,CONNECTING
30	940147	2	GASKET
40	940193	1	RAIL,ASSY
50	940194	2	BOLT,FLANGE
60	940116	1	BOLT,FLANGE

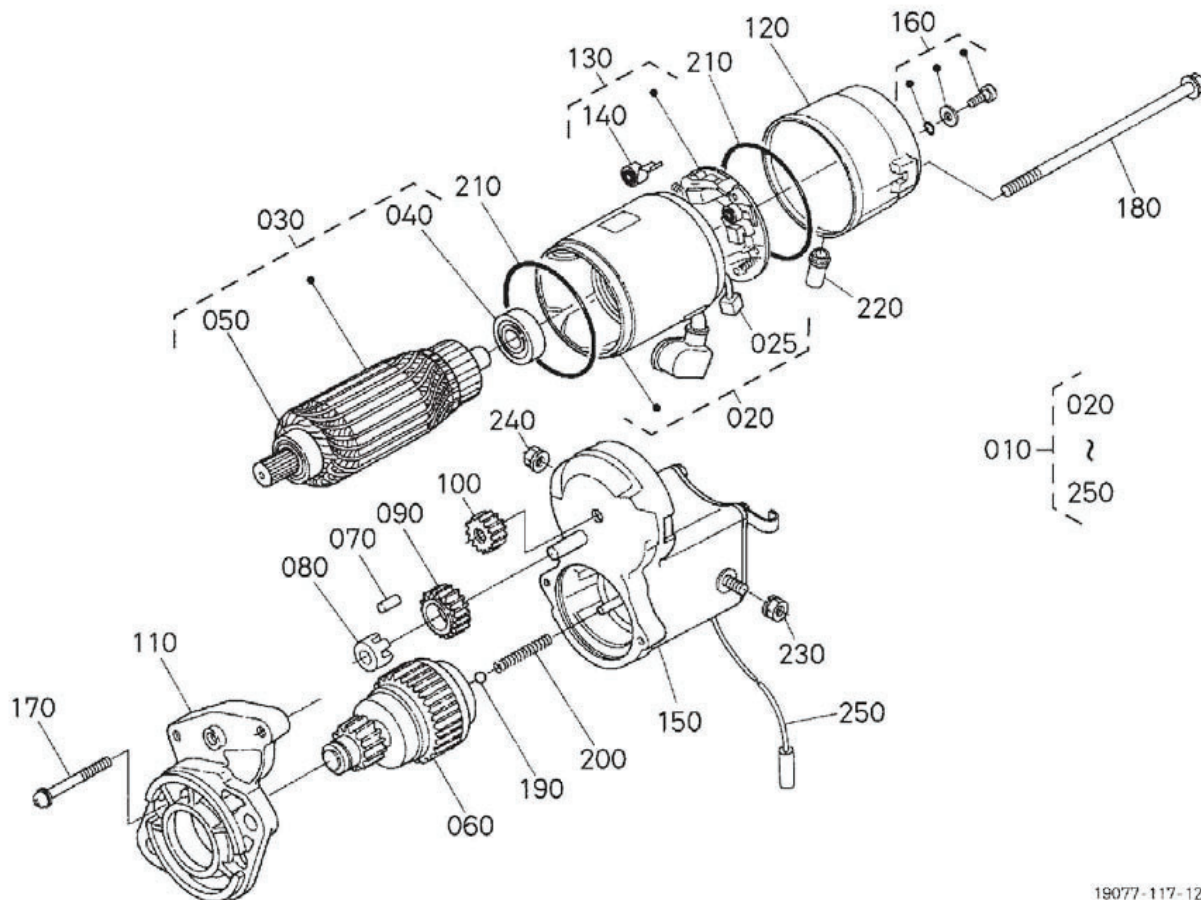
550000 ALTERNATOR AND PULLEY (D1803 ENGINE)



1J497-033-11

550000 ALTERNATOR AND PULLEY (D1803 ENGINE)			
ITEM	PART NO.	REQ'D	DESCRIPTION
10	940195	1	ALTERNATOR(60A)
20	940196	1	STAY,DYNAMO
30	940197	1	BOLT,FLANGE
40	940198	1	BOLT,W SEMS(LARGE WASHER)
50	940199	1	HEX.NUT
60	940200	1	WASHER,SPRING LOCK
70	940201	1	PULLEY,FAN DRIVE
80	940114	1	KEY, FEATHER
90	940202	1	BELT,COG

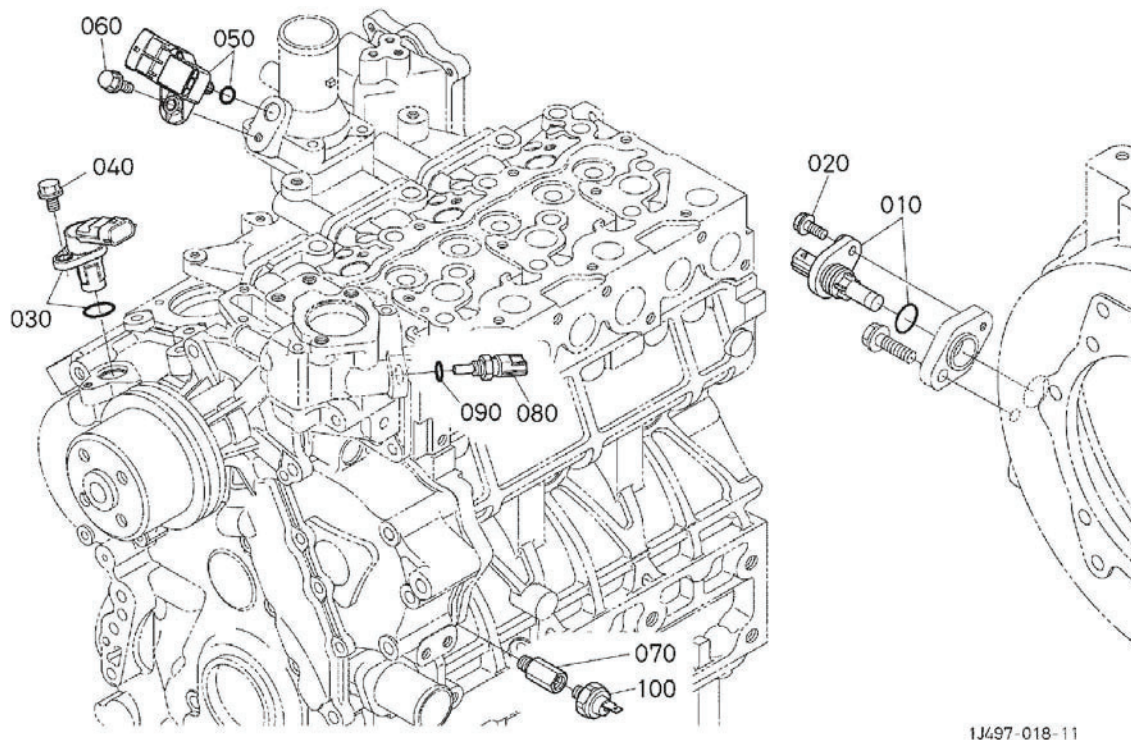
551000 ALTERNATOR COMPONENTS



19077-117-12

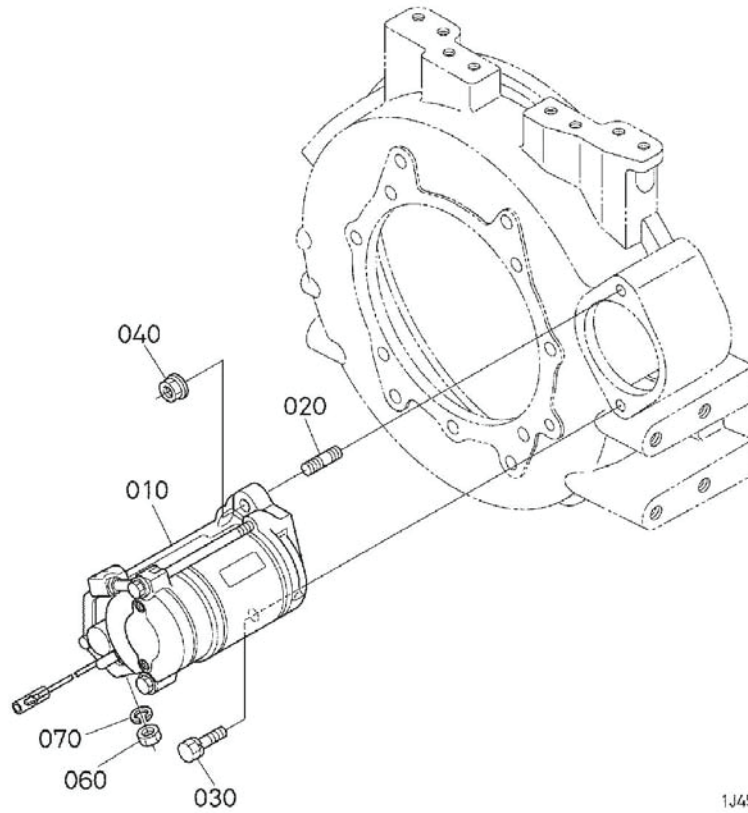
551000 ALTERNATOR COMPONENTS (D1803 ENGINE)			
ITEM	PART NO.	REQ'D	DESCRIPTION
10	940195	1	ALTERNATOR(60A)
20	940203	1	PULLEY, ALTERNATOR
30	940204	1	NUT
40	940205	1	FRAME,DRIVE END
50	940206	1	BEARING BALL
60	940207	1	PLATE, RETAINER
70	940208	4	SCREW, ROUND HEAD
80	940209	2	BOLT, THROUGH
90	940210	1	ROTOR
100	940211	1	COVER, BEARING
110	940212	1	BEARING BALL
120	940213	1	FRAME,END
130	940214	1	HOLDER
140	940215	1	HOLDER BRUSH
170	940216	1	ASSY REGULATOR
180	940217	6	SCREW, ROUND HEAD
190	940218	1	SCREW, ROUND HEAD
200	940219	3	BOLT
210	940220	2	SCREW, ROUND HEAD
220	940221	2	BOLT
230	940222	1	COVER,END
240	940223	1	BUSH,INSULATION
250	940224	2	NUT
260	940225	1	NUT
270	940226	1	CLAMP CORD
280	940227	1	COLLAR

556000 OIL SWITCH AND THERMOMETER (D1803 ENGINE)



556000 OIL SWITCH AND THERMOMETER (D1803 ENGINE)			
ITEM	PART NO.	REQ'D	DESCRIPTION
10	940259	1	SENSOR
20	940133	1	BOLT,FLANGE
30	940260	1	SENSOR
40	940133	1	BOLT,FLANGE
50	940261	1	SENSOR,BOOST
60	940262	1	BOLT,FLANGE
70	940263	1	ADAPTER(SWITCH,OIL)
80	603000	1	SENSOR,WATER TEMP.
90	940264	1	O RING
100	940265	1	SWITCH,OIL

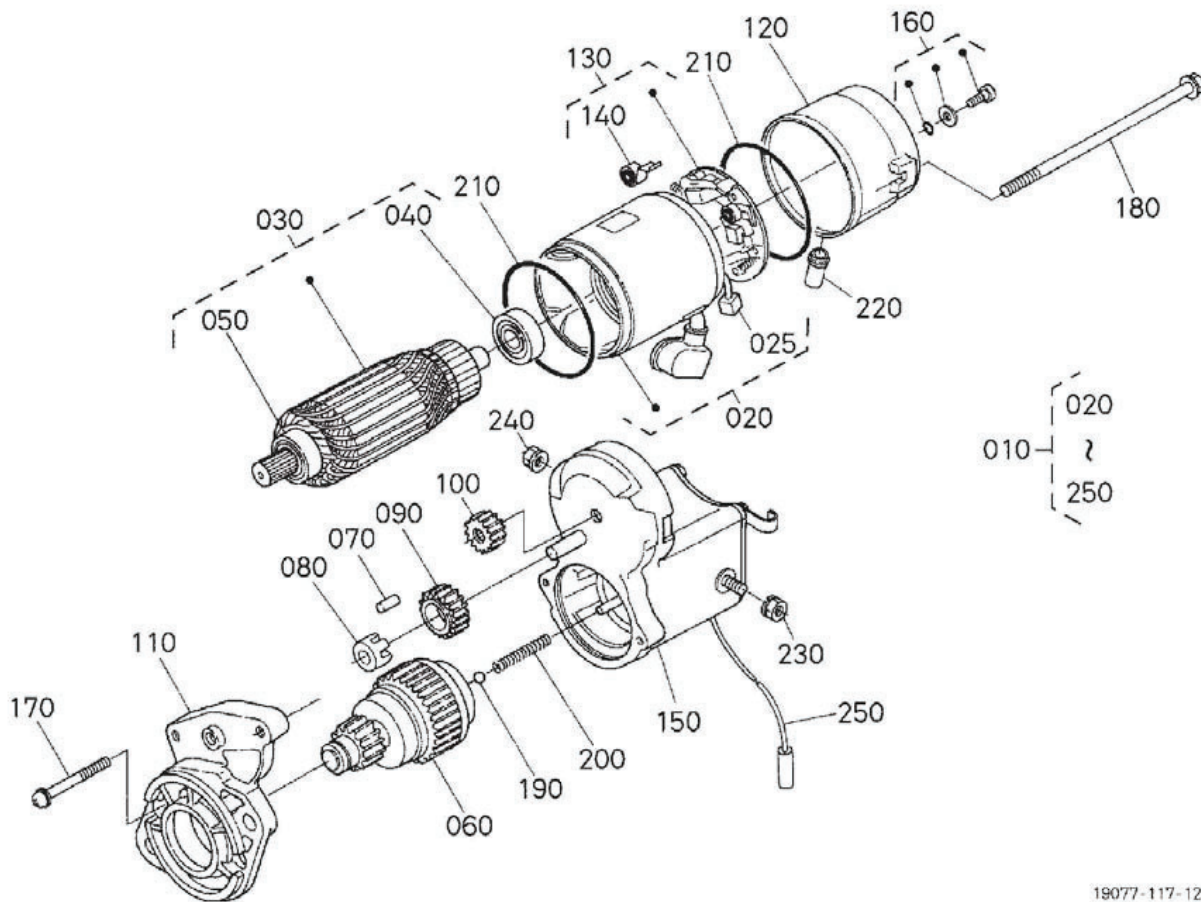
554000 STARTER (D1803 ENGINE)



1J456-043-12

554000 STARTER (D1803 ENGINE)			
ITEM	PART NO.	REQ'D	DESCRIPTION
10	940228	1	ASSY STARTER
20	940229	1	BOLT,STUD
30	940230	1	BOLT,SEMS
40	940231	1	NUT,FLANGE
60	940232	1	HEX.NUT
70	940233	1	WASHER,SPRING LOCK

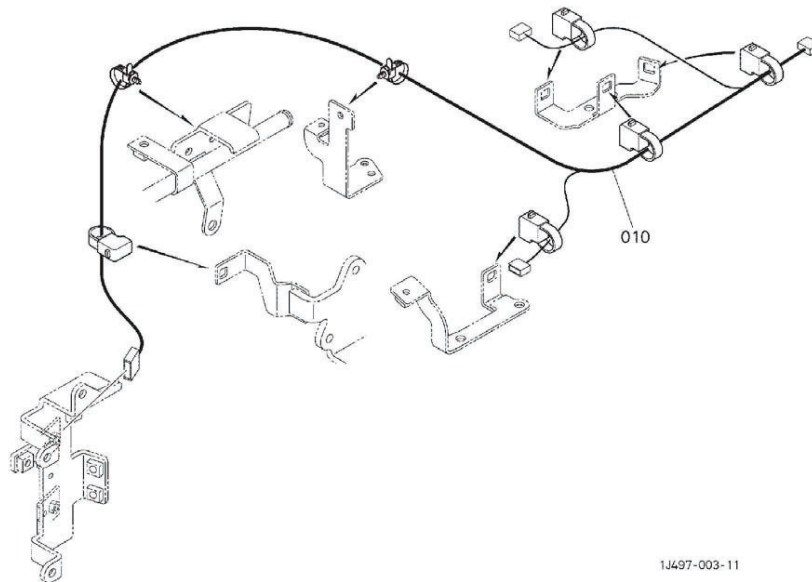
555000 STARTER COMPONENTS (D1803 ENGINE)



19077-117-12

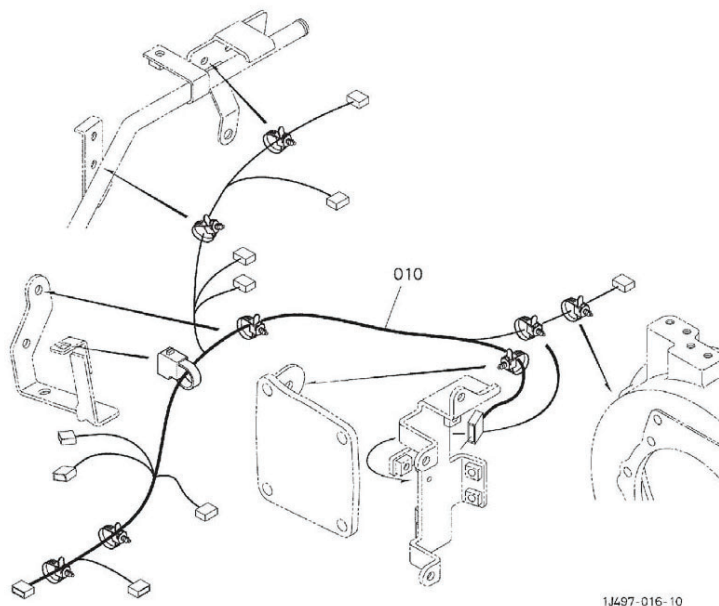
555000 STARTER COMPONENTS (D1803 ENGINE)			
ITEM	PART NO.	REQ'D	DESCRIPTION
10	940228	1	ASSY STARTER
20	940234	1	YOKE
25	940235	2	KIT BRUSH
30	940236	1	ARMATURE
40	940237	1	BEARING
50	940238	1	BEARING
60	940239	1	CLUTCH,OVER RUNNING
70	940240	5	ROLLER
80	940241	1	RETAINER
90	940242	1	GEAR
100	940243	1	GEAR
110	940244	1	FRAME,DRIVE END
120	940245	1	FRAME,END
130	940246	1	HOLDER,BRUSH
140	940247	4	SPRING
150	940248	1	ASSY SWITCH,MAGNETIC
160	940249	2	SCREW
170	940250	2	SCREW
180	940251	2	BOLT,THROUGH
190	940252	1	BALL
200	940253	1	SPRING
210	940254	2	O RING
220	940255	1	PIPE,DRAIN
230	940256	1	NUT,HEXAGON
240	940257	1	NUT,HEXAGON
250	940258	1	ASSY WIRE,CONNECTING

557500 INJECTOR HARNESS (D1803 ENGINE)



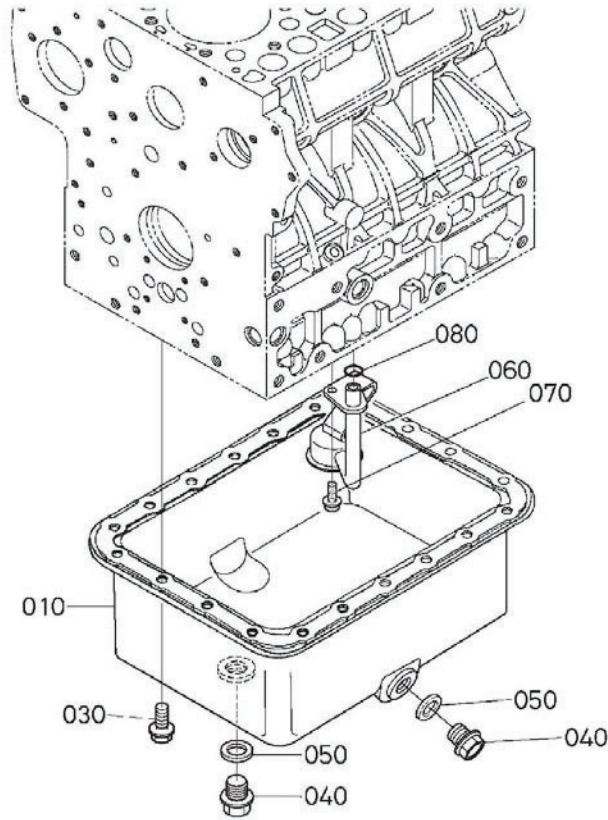
557500 INJECTOR HARNESS (D1803 ENGINE)			
ITEM	PART NO.	REQ'D	DESCRIPTION
10	940267	1	HARNESS,WIRE,ASSY

558000 ELECTRICAL WIRING (D1803 ENGINE)



558000 ELECTRICAL WIRING (D1803 ENGINE)			
ITEM	PART NO.	REQ'D	DESCRIPTION
10	940269	1	HARNESS,WIRE,ASSY (ENGINE)

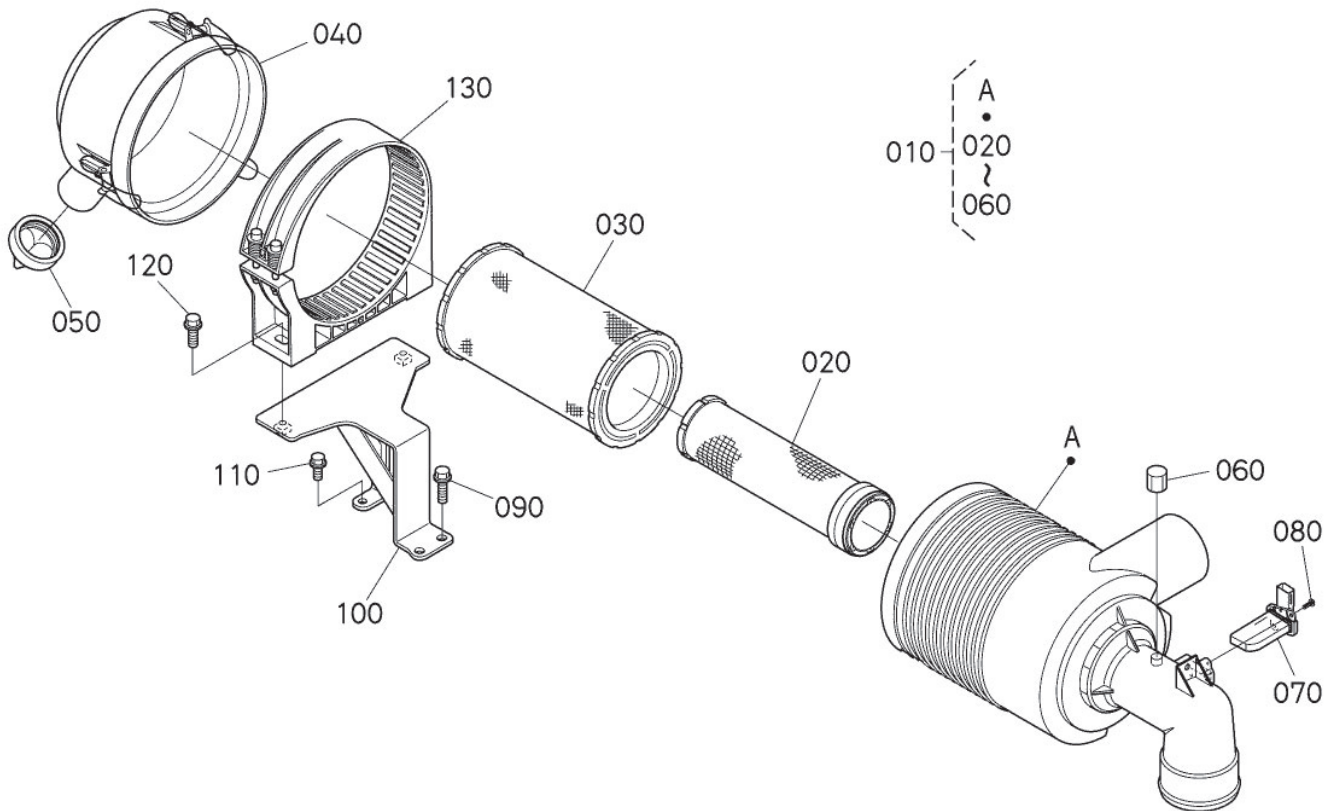
501000 OIL PAN (D1803 ENGINE)



1J805-002-10

501000 OIL PAN (D1803 ENGINE)			
ITEM	PART NO.	REQ'D	DESCRIPTION
10	940270	1	COMP.OIL PAN
30	940271	20	BOLT(FLANGE)
40	3337702	2	PLUG(DRAIN)
50	940272	2	PACKING
60	940273	1	FILTER,OIL
70	940274	1	BOLT,FLANGE
80	940275	1	O RING

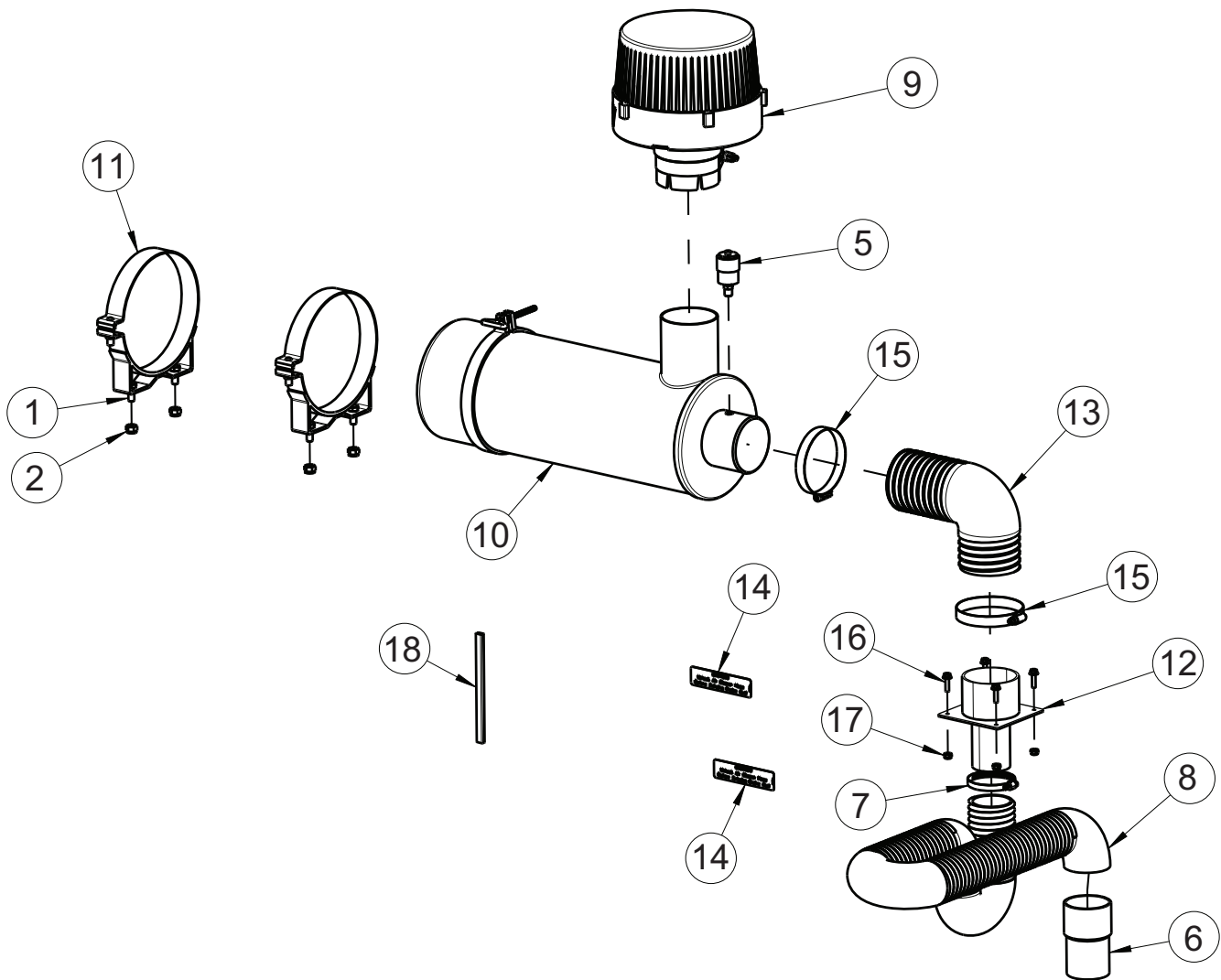
573000 AIR CLEANER ASSEMBLY (D1803 ENGINE)



57300 AIR CLEANER ASSEMBLY (D1803 ENGINE)			
ITEM	PART NO.	REQ'D	DESCRIPTION
010	650272	1	CLEANER,AIR
020	650177	1	AIR FILTER
030	650312	1	ASSY ELEMENT,A/C
040	692097	1	ASSY COVER
050	650313	1	VALVE
060	650314	1	CAP,NIPPLE
070	650315	1	SENSOR(AIR FLOW)
080	650316	2	SCREW,PAN HEAD(PHILLIPS)
090	650317	2	BOLT,FLANGE
100	650318	1	STAY(AIR CLEANER)
110	650319	1	BOLT,FLANGE
120	3338383	2	BOLT,FLANGE
130	650320	1	BRACKET

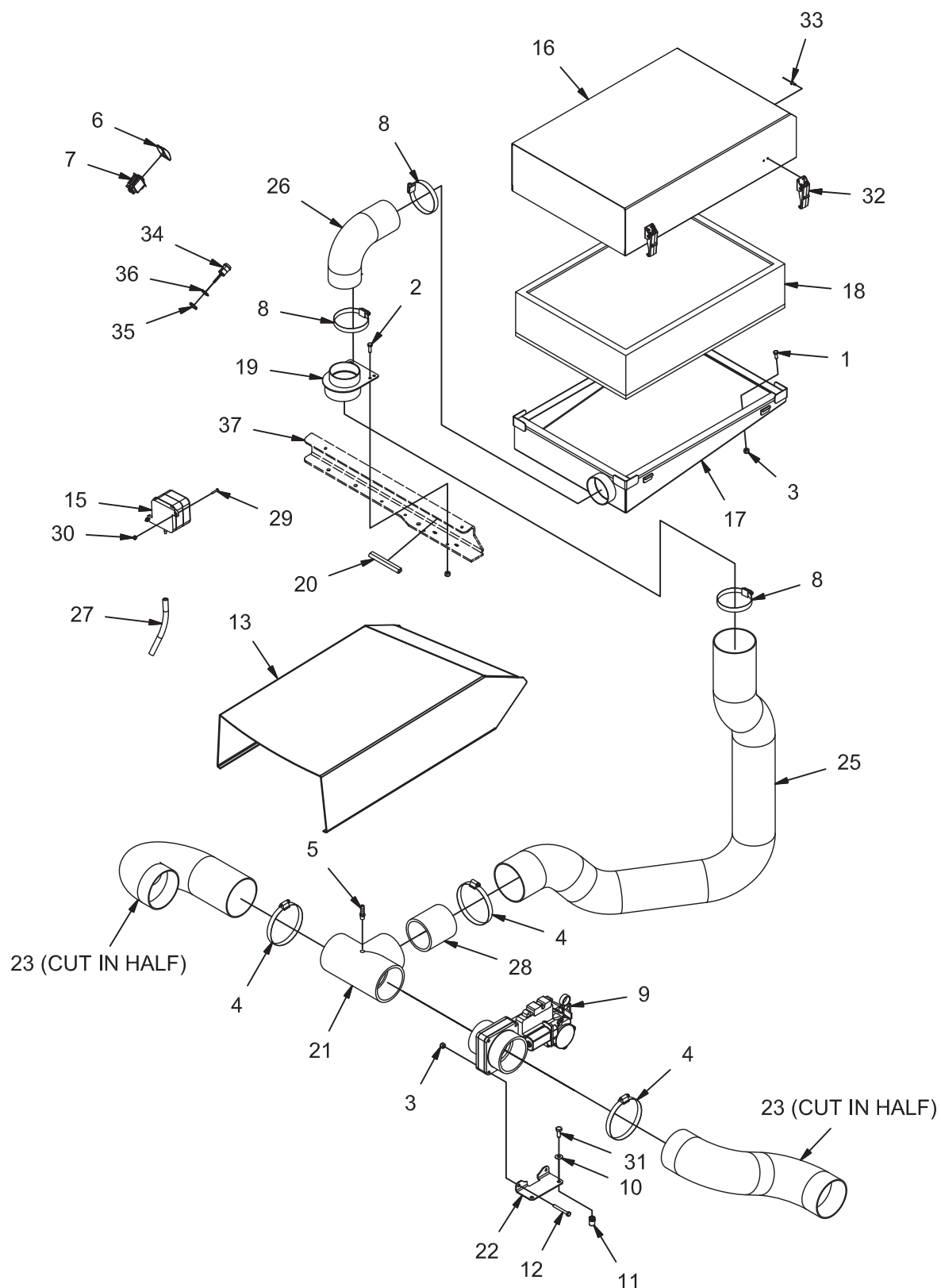
OPTIONS

OPT - AIR CLEANER, HEAVY DUTY (3331034-10X)



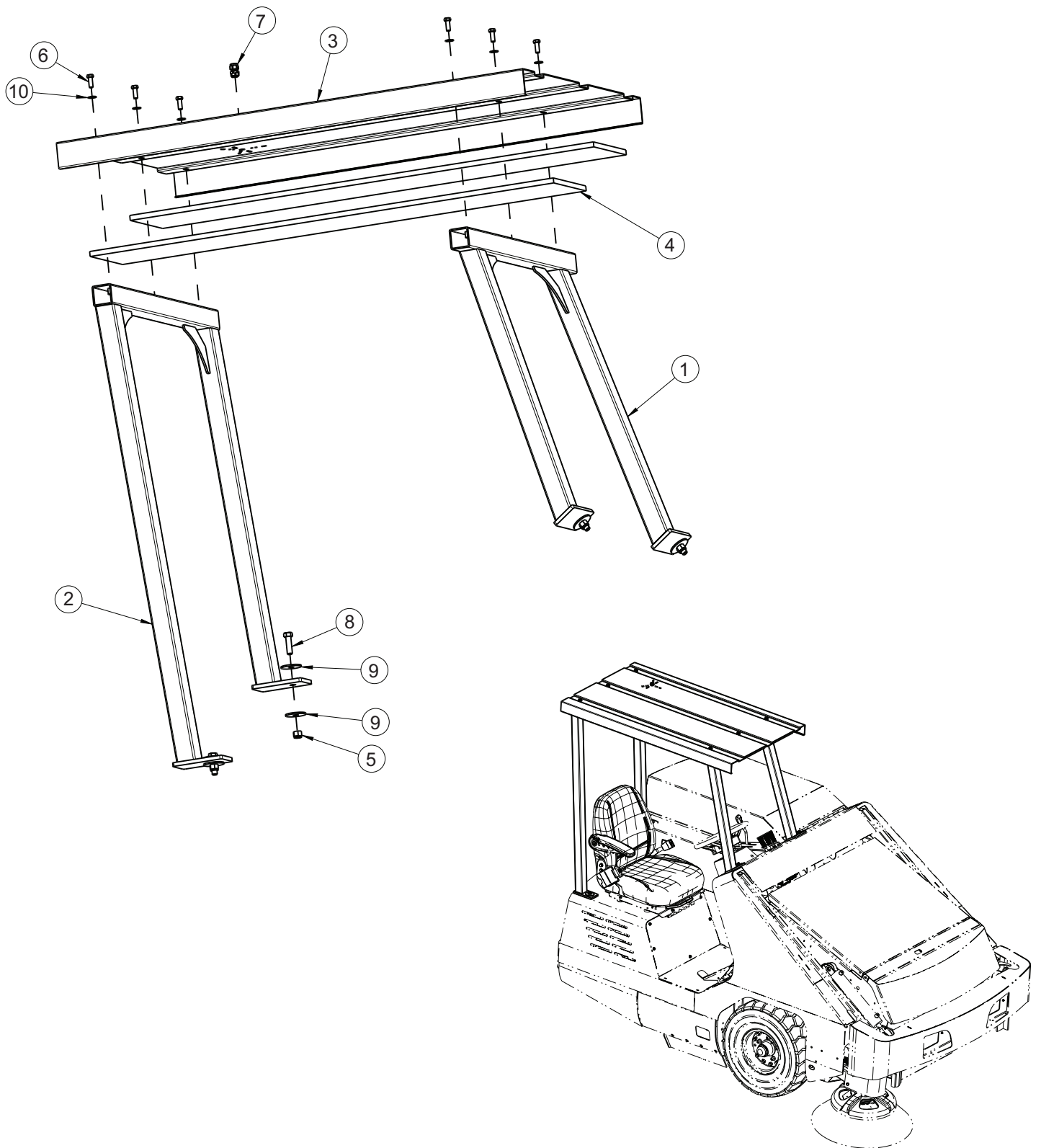
OPT - AIR CLEANER, HEAVY DUTY (3331034-10X)			
ITEM	PART NO.	REQ'D	DESCRIPTION
1	711228	4	SCR-HH 5/16-18 X .75 ZP GR 5
2	711374	4	NUT-NYLOC 5/16-18 ZP
5	3303991	1	INDICATOR-AIR CLEANER RESTRICTION
6	3311797	1	CUFF-HOSE 2" X 2"
7	3312189	1	CLAMP - SCREW 1.25" to 2.25" DIA 201SS
8	3317909	1	HOSE-2" DIA X 36" LONG
9	3331035	1	AIR CLEANER-TURBO 3 MODEL HEAVY DUTY
10	3331036	1	AIR CLEANER-HEAVY DUTY(METAL)
11	3331037	2	CLAMP-HD AIR CLEANER
12	3332508	1	AIR HOSE CONNECTOR 2" DIA
13	3332509	1	HOSE-3" ID X 18" LG, HD AIR CLEANER
14	3333769	2	DECAL-UNHOOK AIR CLEANER HOSE B4 ENG SWV
15	3343273	2	CLAMP-HOSE 3.5
16	11038098	4	SCR-HH M6-1.0 X 20 ZP CLASS 8.8 DIN
17	12040044	4	NUT-NYLOC M6 X 1.0 ZP CLASS 6
18	3500118	.5 ft	EDGING-VINYL TRIM 1/8" X 250'

OPT - MERV/HEPA FILTER, 10X (690697-10X)



OPT - MERV/HEPA FILTER, 10X (690697-10X)			
ITEM	PART NO.	REQ'D	DESCRIPTION
1	11038072	4	SCR-HH M6-1.0 X 16 ZP CLASS 8.8
2	11038098	2	SCR-HH M6-1.0 X 20 ZP CLASS 8.8 DIN
3	12040044	8	NUT-NYLOC M6 X 1.0 ZP CLASS 6
4	3300351	3	CLAMP - SCREW 3" to 5" DIA 201SS
5	3401672	1	FTG-ADAPTER 1/8 HB BRASS X 1/4 MPT
6	3342273	1	COVER-SWITCH, CARLING, BLACK W/LENS
7	3332713	1	SWITCH-DOUBLE SCRUB BROOM
8	3343273	3	CLAMP-HOSE 3.5
9	3345044	1	VALVE-3" DIA. ELECTRONIC ACTUATED, OPT-
10	3400384	2	WASHER-CONICAL SPRING 5/16
11	600852	2	INSERT-M8-1.25 .188 GRIP ZP
12	600953	2	SCR-HH M6-1.00 X 50 SS
13	REFERENCE	1	TOP COVER
15	690083-2	1	HARN ASSY, SWITCH, DIFF PRESS, MERV
16	690636	1	WELDMENT, FILTER COVER
17	690640	1	WELDMENT, FILTER BASE
18	690642	1	Filter, MERV 17
19	690645	1	WELDMENT, HOSE ADAPTER
20	690648	1	EDGING, 3/16 X 4.0"
21	690662-1	1	MERV FILTER TEE
22	690663	1	MOUNT, VALVE
23	600574	1	HOSE 4.00 IMPELLER
25	690668	1	HOSE, 4.00 IMPELLER TO VALVE
26	690669	1	HOSE, 3.00 FILTER, 9 FT
27	690671	1	TUBING, .313 ID REINFORCED
28	690676	1	TUBE, 3.00 PVC X 3.50 SCH 40
29	710305	2	SCR-PHMS 6-32 X .75 ZP
30	711371	2	NUT-NYLOC 6-32 ZP
31	717024	2	SCR-HH M8-1.25 X 20 ZP GRADE 8.8
32	730652	4	LATCH, UNDER CENTER
33	730654	8	RIVET-BLIND 5/32 .125 GRIP SS
34	3342905	1	ASSY- INDICATOR LIGHT RED W/PACKARDTERMS

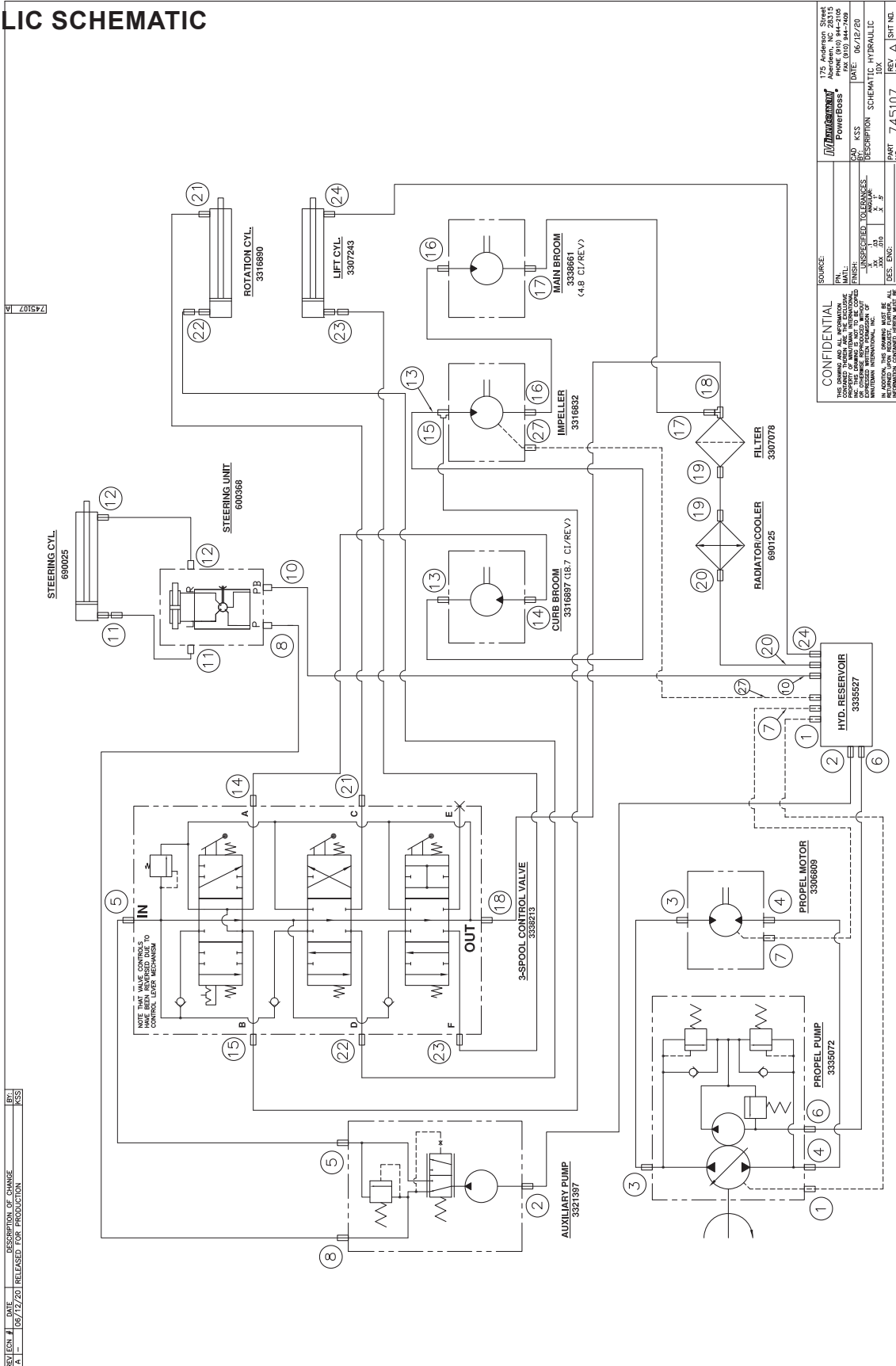
OPT - OVERHEAD GUARD 9X/10X (690840)

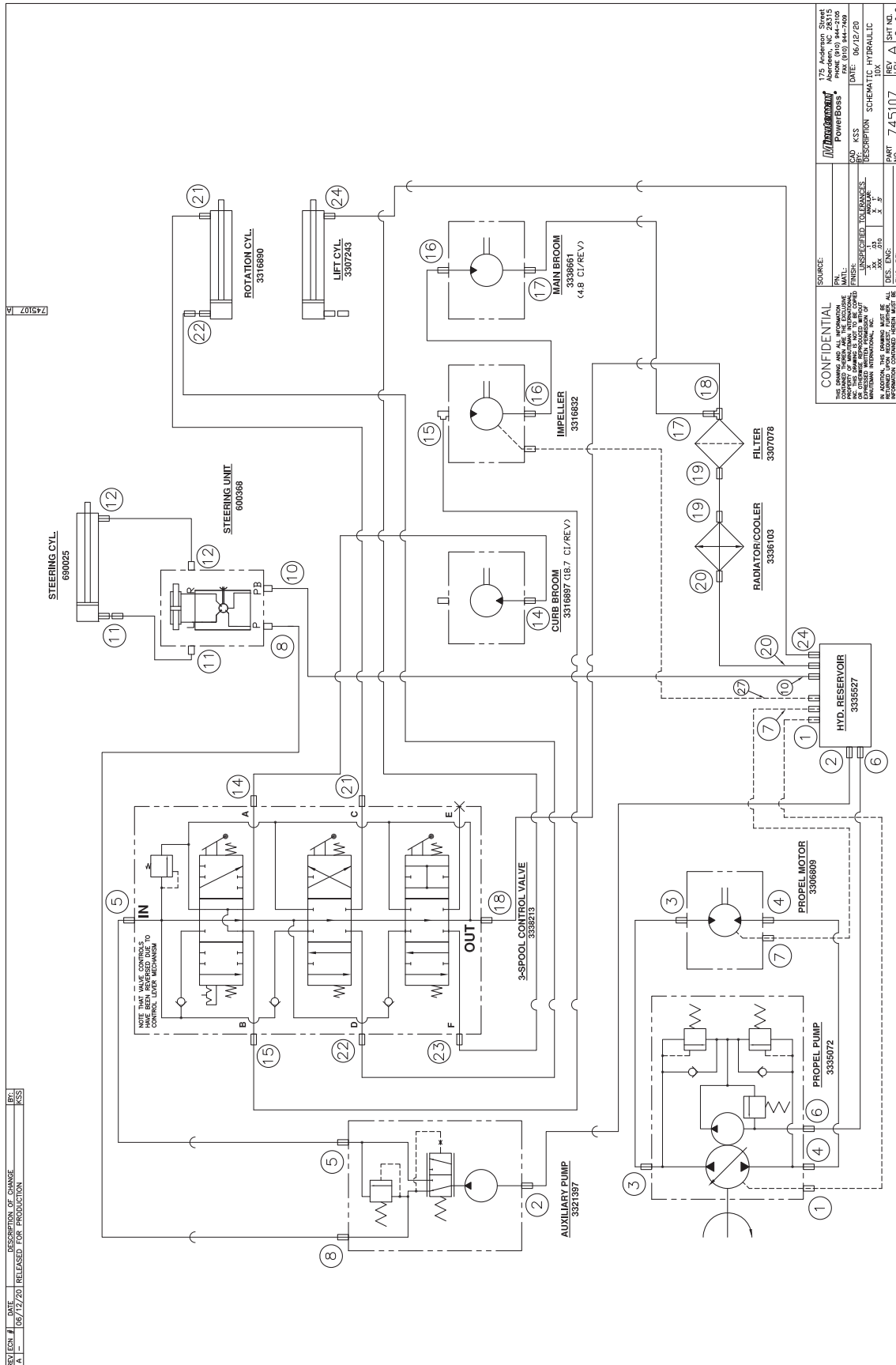


OPT - OVERHEAD GUARD 9X/10X (690840)			
ITEM	PART NO.	REQ'D	DESCRIPTION
1	690853-1	1	ASSY, OHG FRONT SUPPORT
2	690854-1	1	ASSY, OHG REAR SUPPORT
3	690855	1	ROOF, OHG CORRUGATED
4	690871	2	INSULATION, OHG ROOF
5	711376	4	NUT-NYLOC 1/2-13 ZP
6	713042	6	SCR-HH 3/8-16 X 1.00 ZP GR 5
7	747689	1	STRAIN RELIEF CABLE DIA. .181-.312 #3210
8	3400021	4	SCR-HH 1/2-13 X 1.75 ZP GR 5 FULL THRD
9	3400091	8	WASHER-FENDER 1/2 X 2.00 ZP
10	3400385	6	WASHER-CONICAL SPRING 3/8

SCHEMATICS

HYDRAULIC SCHEMATIC





745107 A

REV. 01/2010
 06/12/2010
 DESCRIPTION OF CHANGE
 RELEASED FOR PRODUCTION
 745107 A

No.	Adapter 1	hose assy #	Adapter 2	RESV	HYD PUMP	AUX PUMP	RW CONT	PS	ROT CB	IMP	MB	FILTER	RAD	ROT LIFT	SOL	HOPPER	RETURN	Comments:
				UNIT	MTR	MTR	VALVE	UNIT	ACT	MTR	MTR	MTR		CYL	VALVE	VALVE	VALVE	
1	675524	675648	675527	1	2													Reservoir to Propel pump inlet
2	675506	675651	675505	1		2												Reservoir to Aux pump inlet.
3	675500	675657	675501	1		2												Propel pump drivers side to Propel motor port A.
4	675501	675664	675502	2		1												Propel motor port B to Propel pump passenger side
5	675528	675663	675524	1		2												Aux pump to 3-spool control valve port IN.
6	675520	675656	675521	2		1												Propel pump to reservoir
7	675508	675644	675510	2		1												Propel motor to reservoir, case drain
8	675512	675665	675511	1				2										Aux pump to Steering unit, port P.
9																		
10	675552	675646	675519	2				1										Steering unit to reservoir
11	675552	675650	675518	1				2										Steering unit L port to port P1 on steering cylinder
12	675515	675662	675518	1				2										Steering unit R port to port P2 on steering cylinder
13		675661	675528						1	2								Inlet tee to curb broom out.
14	675524	675660	675528						1									Valve port A to curb motor inlet port A.
15	675524	675647	675525						2									Control valve outlet to Impeller inlet tee. See hose 13 for details
16	675523	675652	675523						1	2								From impeller out port to Main broom in port A
17	675523	675640	675529 / 675526						1	2								From main broom outlet Port B to filter inlet
18	675524	675658							1									From I port on control valve to filter inlet tee. See hose 17
19	675537	675654	675530								2							From filter outlet to Cooler inlet (top of cooler pack)
20	675503	675653	675503								1							From cooler outlet (bottom of cooler) to reservoir
21	675513	675643	675507									2						From control valve port C to rod end of rotate cylinder (right)
22	675507 / 675547	675649	675513										2					From control valve port C to rod end of rotate cylinder (left)
23	675518 / 675550	675655	675513										1					From piston end of rotate cylinder to control valve port D (right)
24	675518	675641	675510											1				From piston end of lift cylinder to control valve port D (left)
27	675508	675642	675510												1			From rod end of lift cylinder to reservoir
																		From impeller case drain to reservoir.

CONFIDENTIAL

THIS DOCUMENT IS UNCLASSIFIED EXCEPT WHERE SHOWN OTHERWISE. IT IS THE PROPERTY OF POWERBOSS INC. AND IS LOANED TO YOUR COMPANY FOR YOUR USE ONLY. IT IS TO BE RETURNED TO POWERBOSS INC. UPON REQUEST. NO PART OF THIS DOCUMENT IS TO BE REPRODUCED OR TRANSMITTED IN ANY FORM OR BY ANY MEANS, ELECTRONIC OR MECHANICAL, INCLUDING PHOTOCOPYING, RECORDING, OR BY ANY INFORMATION STORAGE AND RETRIEVAL SYSTEM.

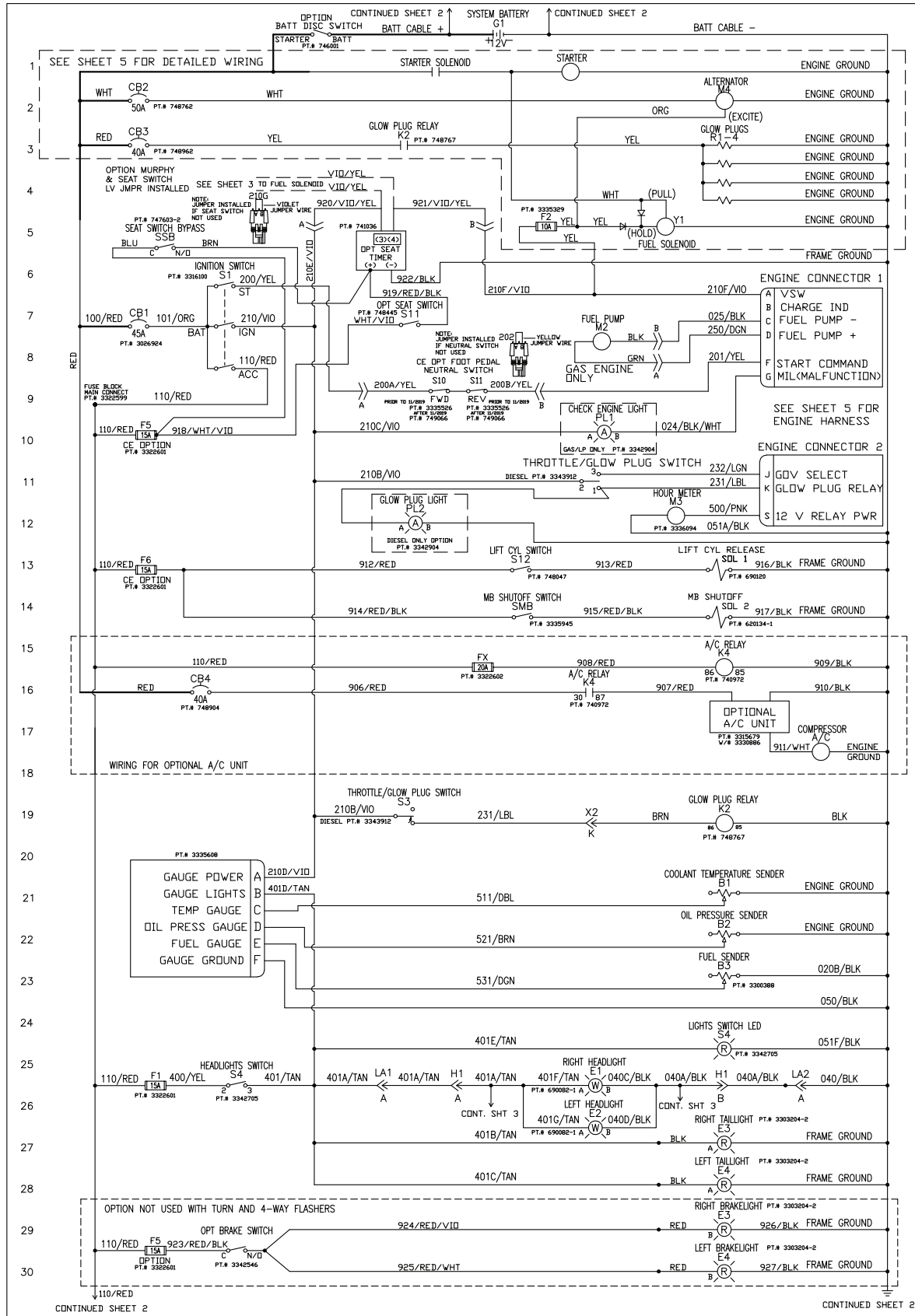
IN ADDITION, THE DRAWING MUST BE KEPT IN A SECURE LOCATION AND NOT BE LOANED TO ANY OTHER PERSONS OR COMPANIES WITHOUT THE WRITTEN PERMISSION OF POWERBOSS INC.

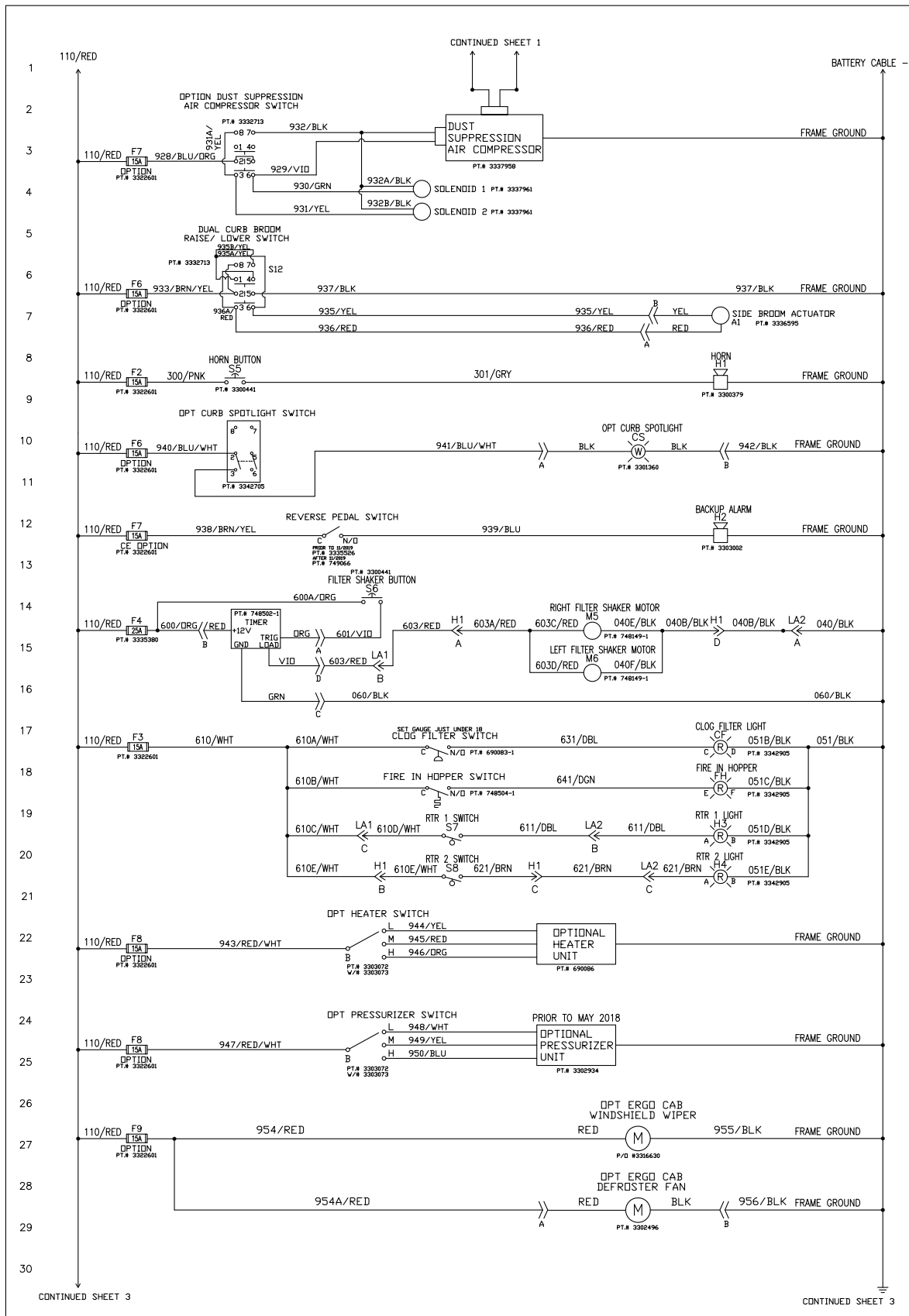
SOURCE: 175 Anderson Street
 Aberdeen, NC 28315
 PowerBoss
 TEL: (919) 444-7450
 FAX: (919) 444-7459

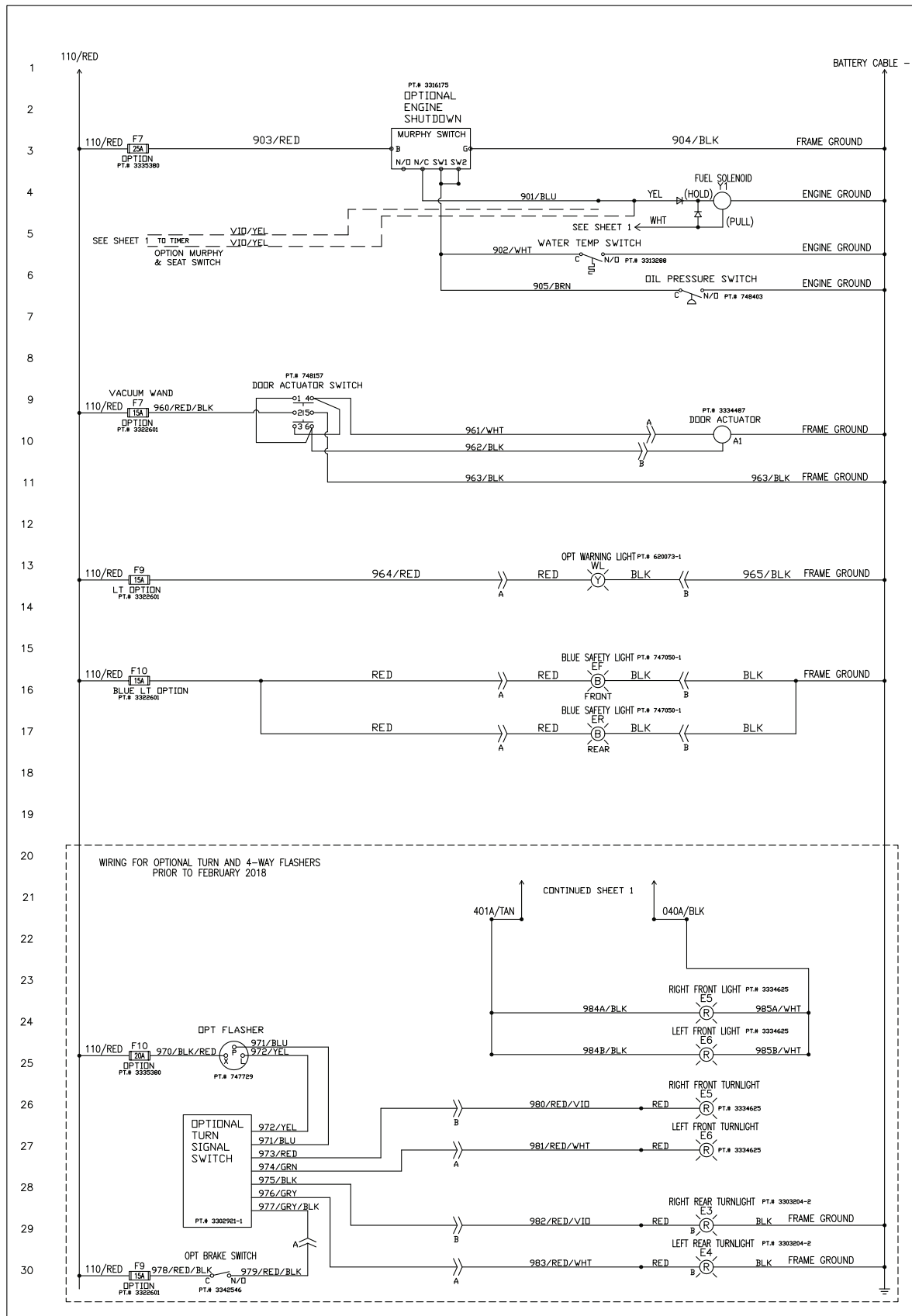
REV: KSS
 DATE: 06/12/20
 DESCRIPTION: SCHEMATIC HYDRAULIC

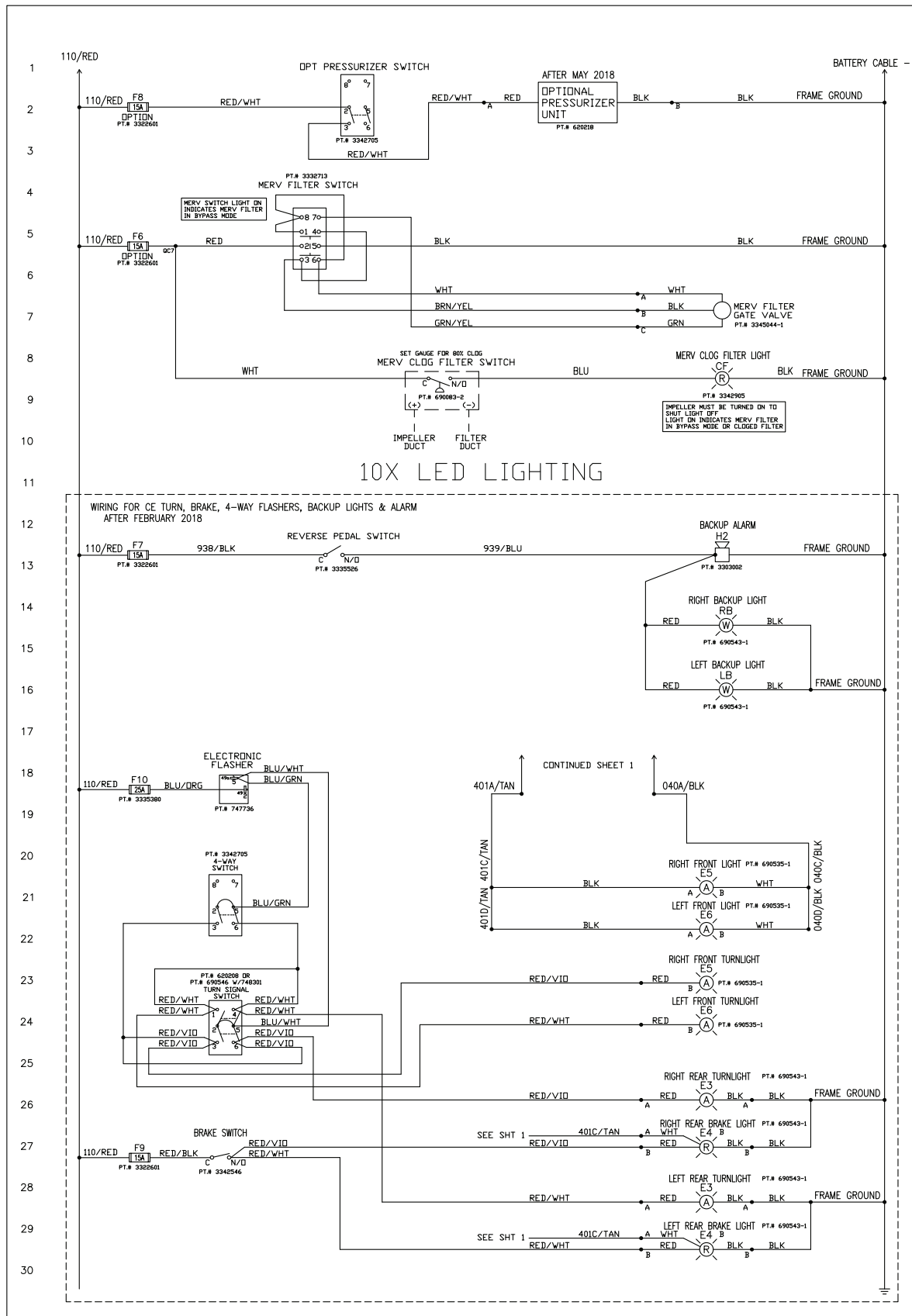
ENC. REL: 10A
 REV: A
 3 of 3

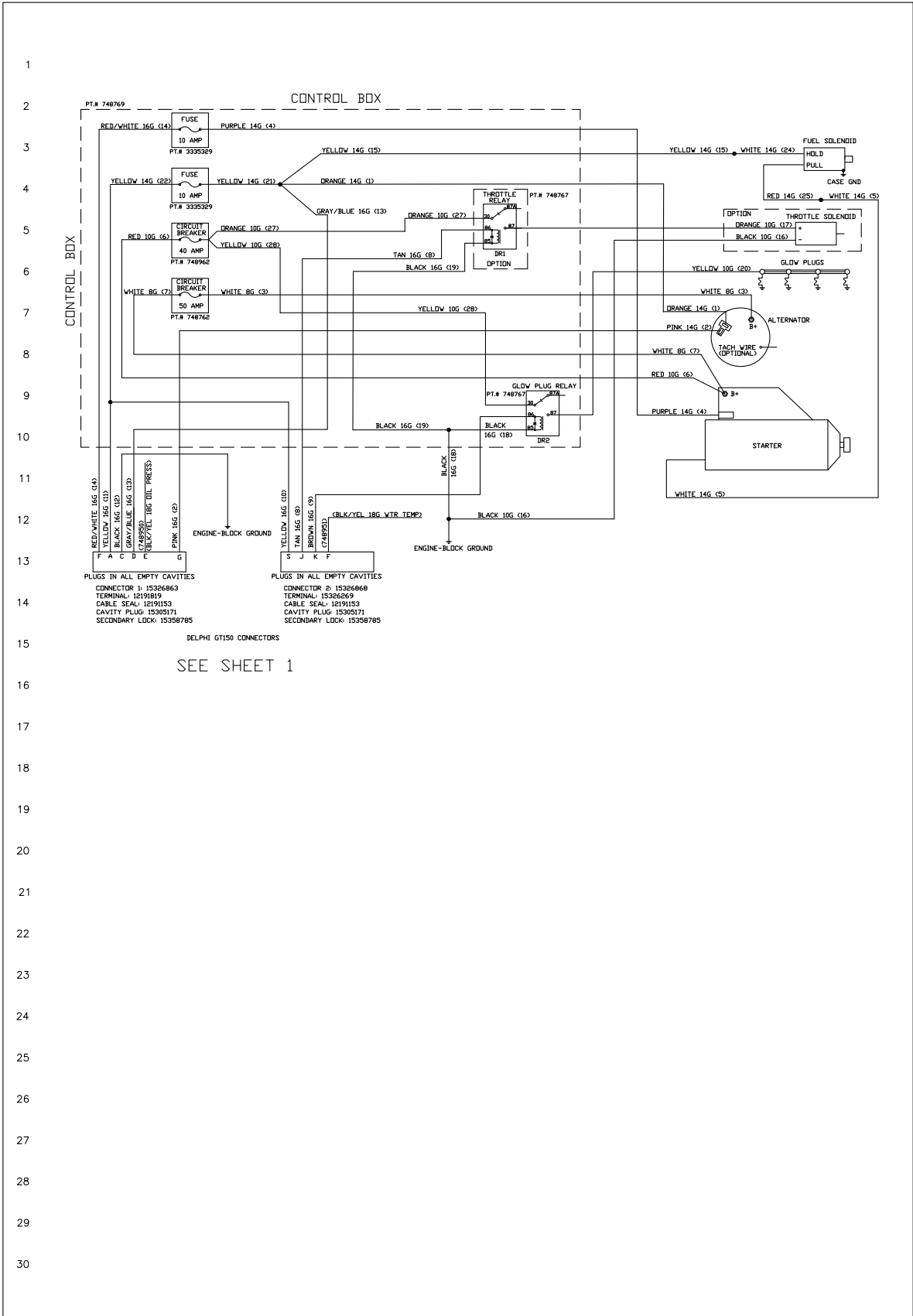
ELECTRICAL SCHEMATIC



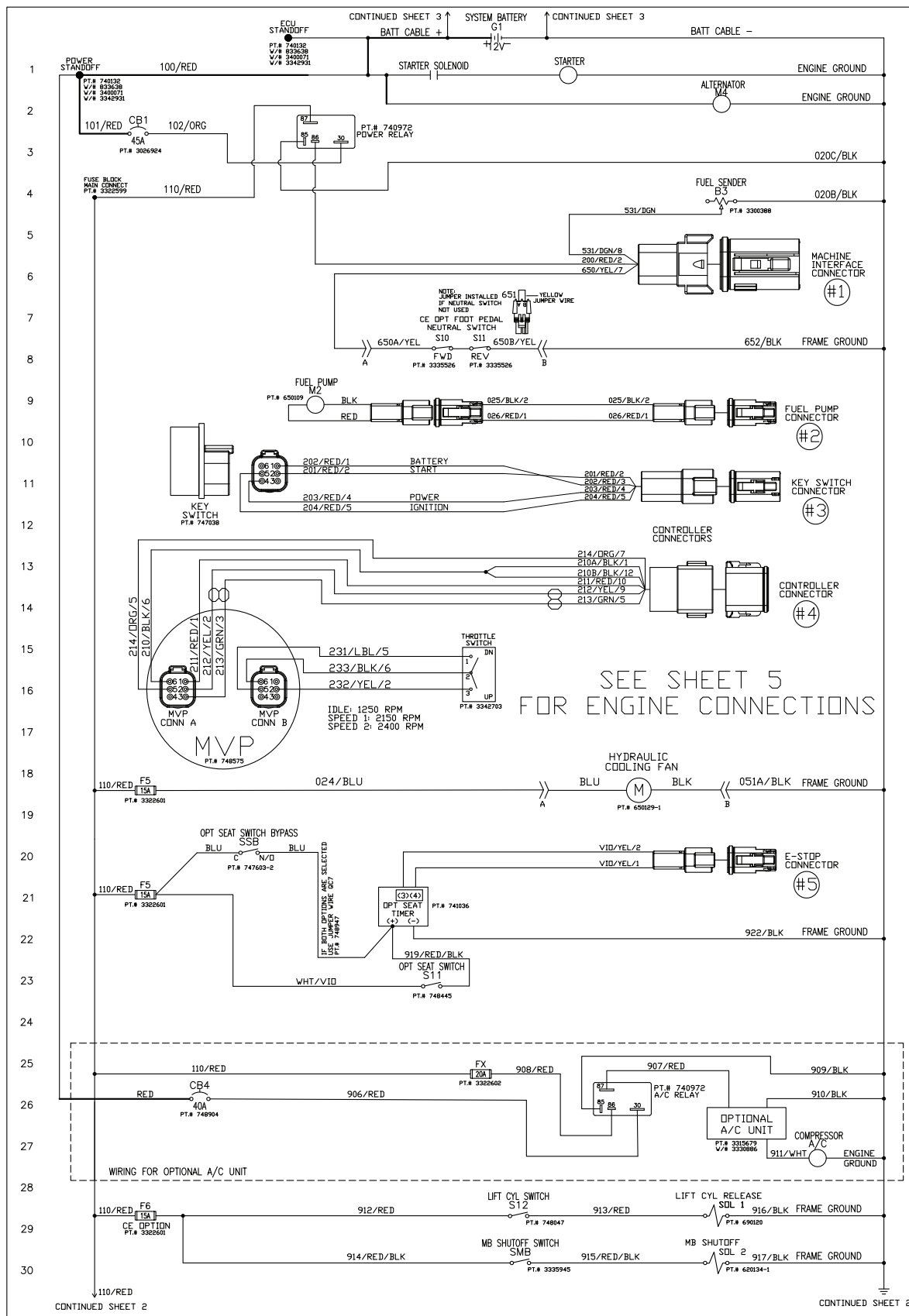


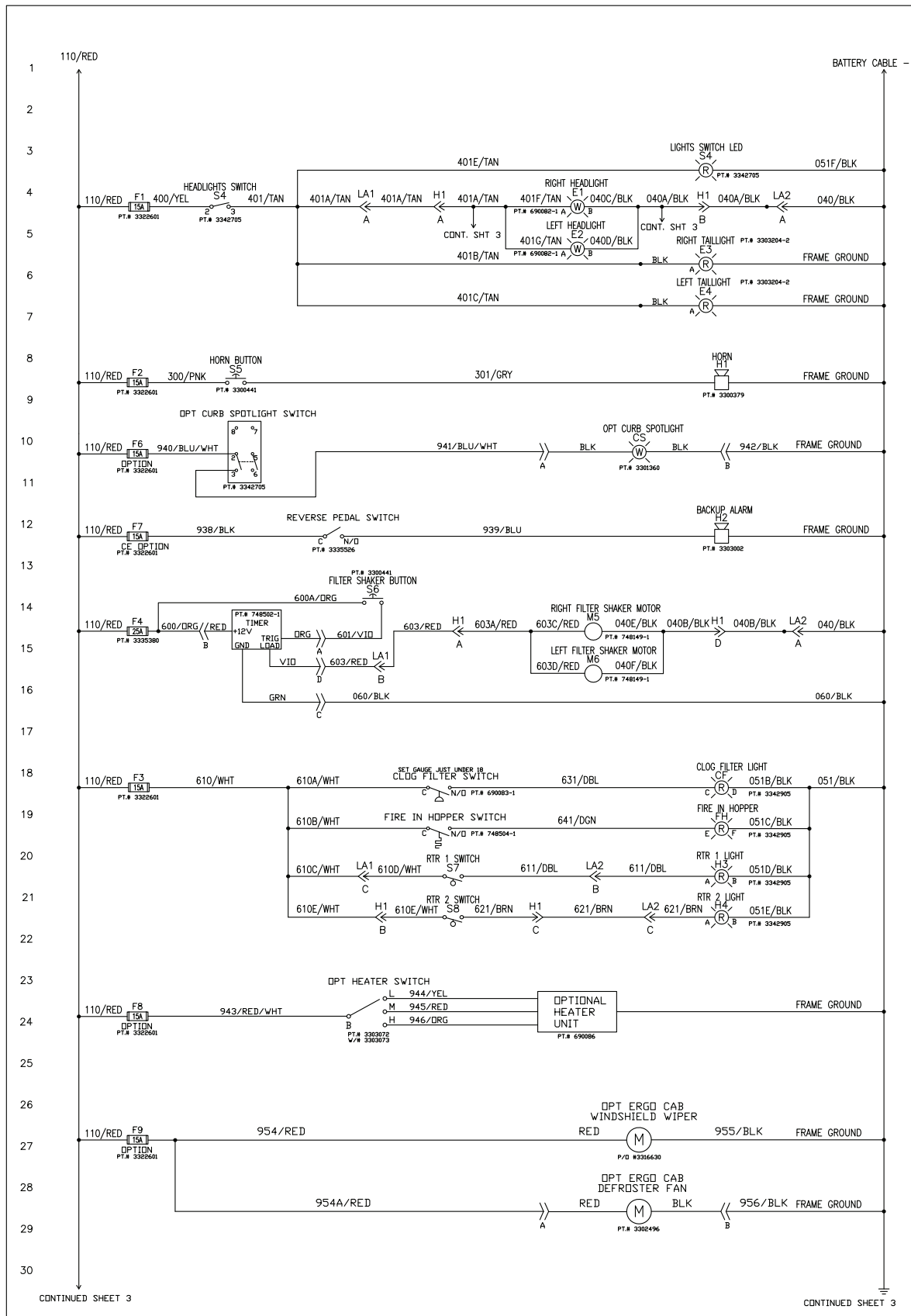


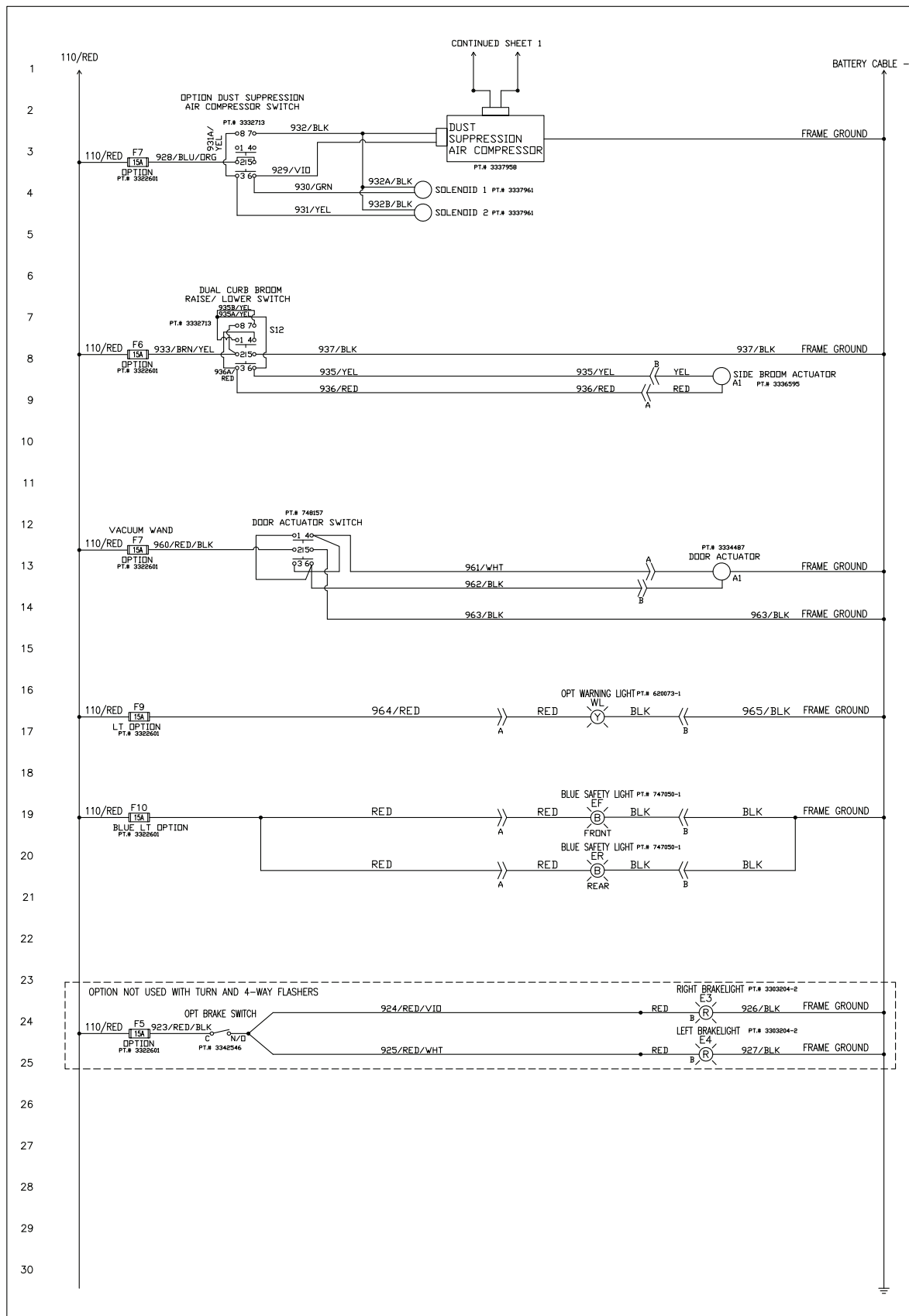


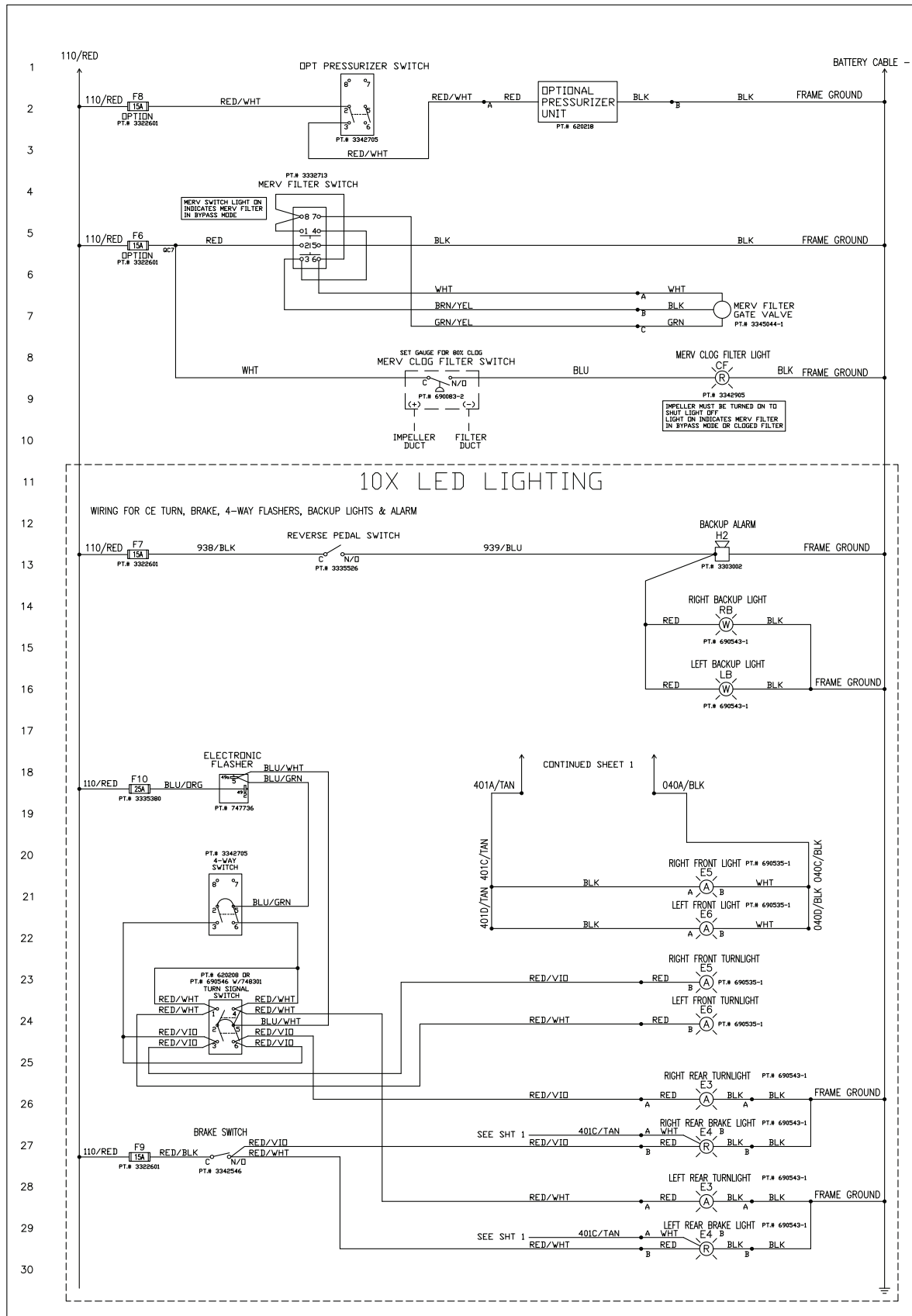


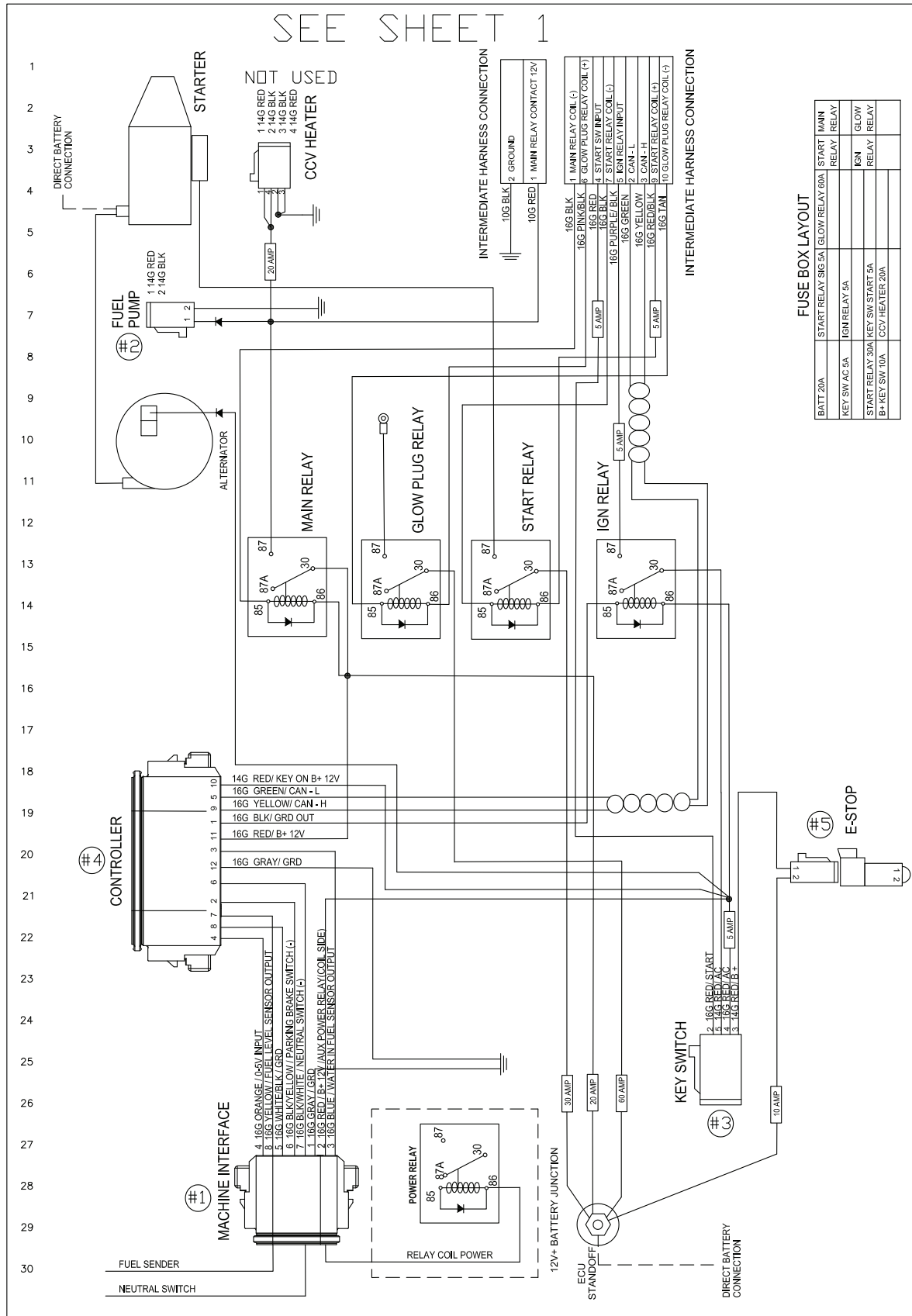
ELECTRICAL SCHEMATIC (US MODEL)











PowerBoss®
The Power of Clean

'The Power of Clean'

**PowerBoss® is a Full Line Manufacturer of Sweepers and Scrubbers,
for Industrial Facilities.**

PowerBoss®, Minuteman International, Inc. 14N845 U.S. Route 20 Pingree Grove, Illinois 60140
Phone: 800-323-9420 www.PowerBoss.com Email: tech@powerboss.com
A Member of the Hako Group

Armadillo 10X Sweeper 4100046 Rev. M 01/26
PowerBoss® Copyright 2021